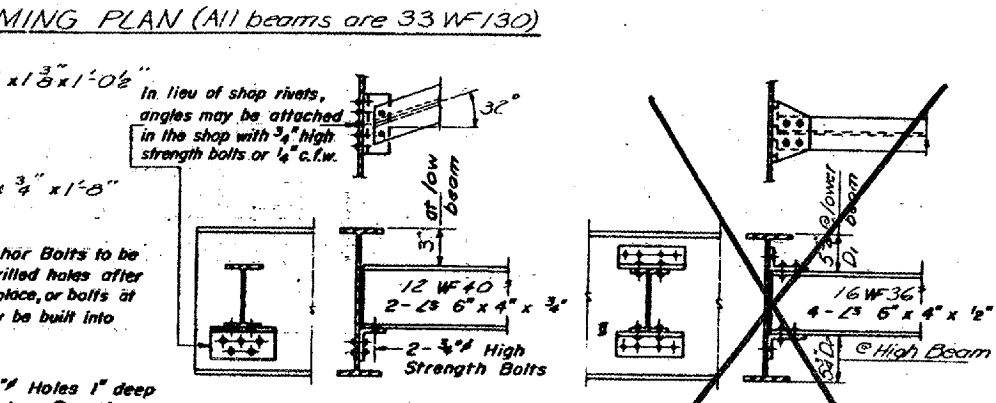
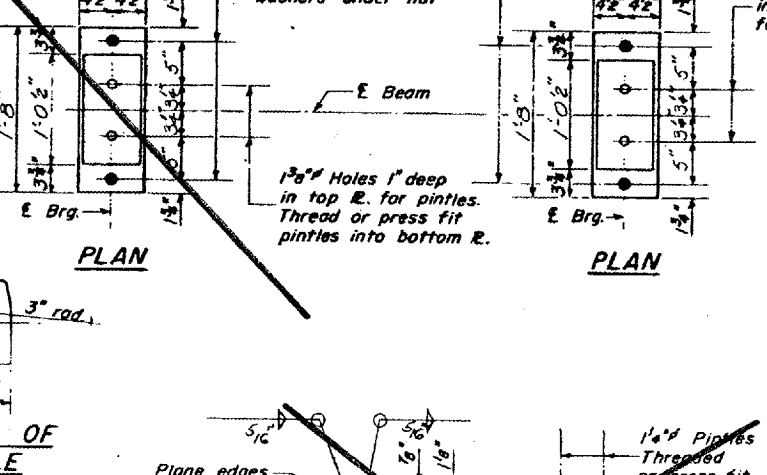
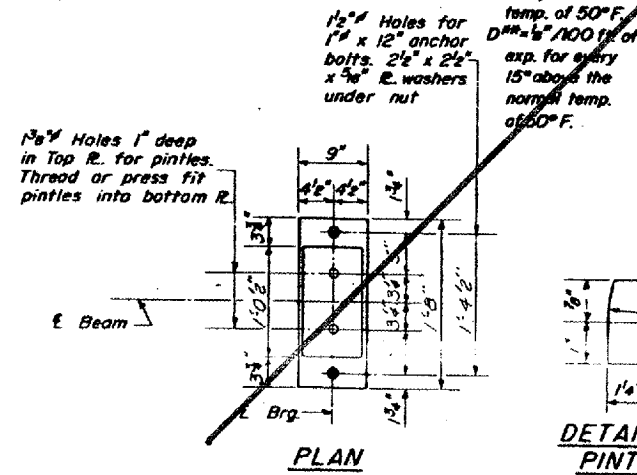
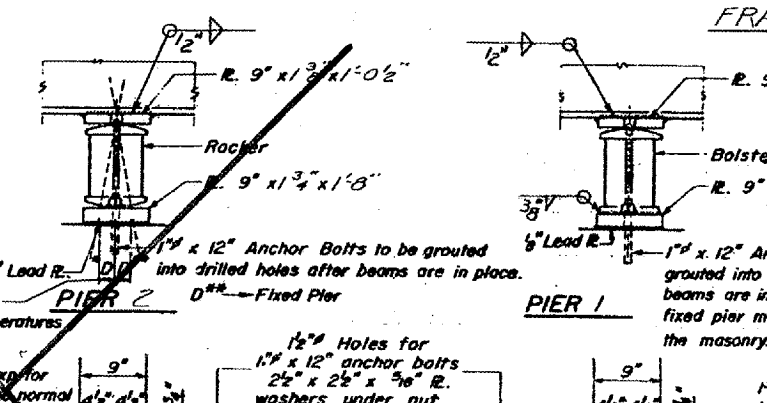
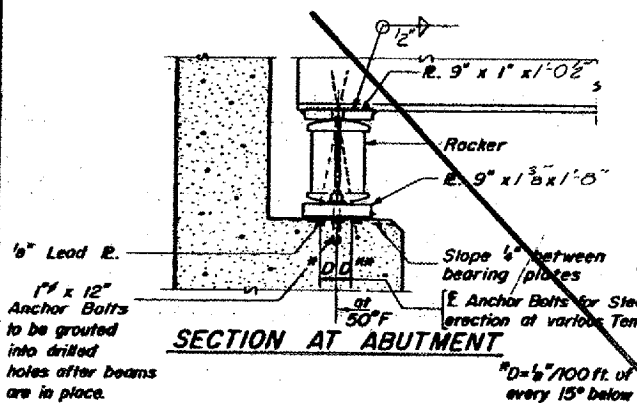
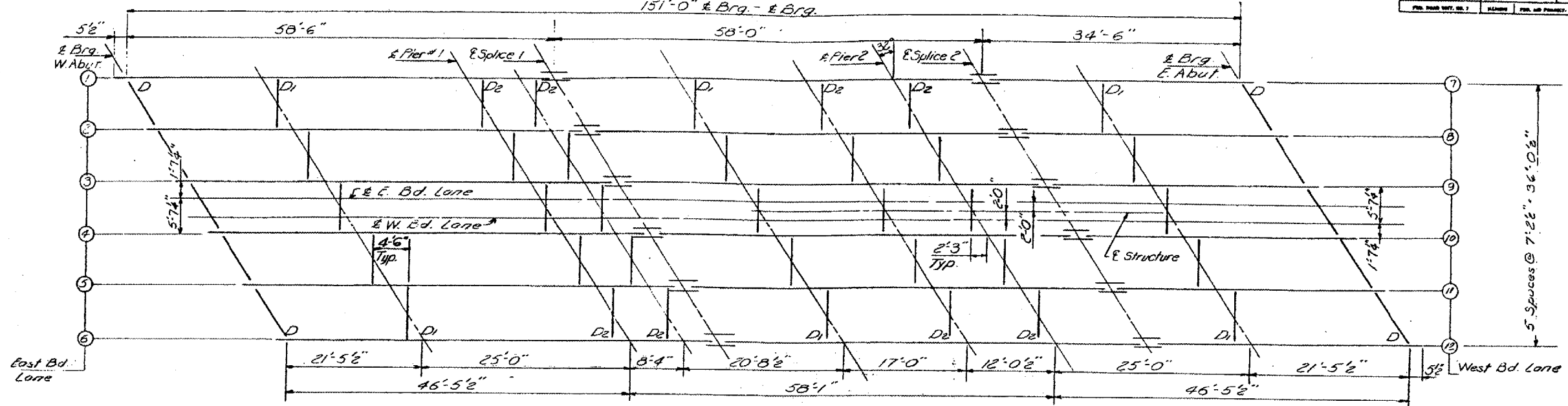


SHEET NO.	SECTION	COUNTY	DATE	BY	NO.	NO.
24	64-281	Massac	37	16	15	15

15 SHEETS

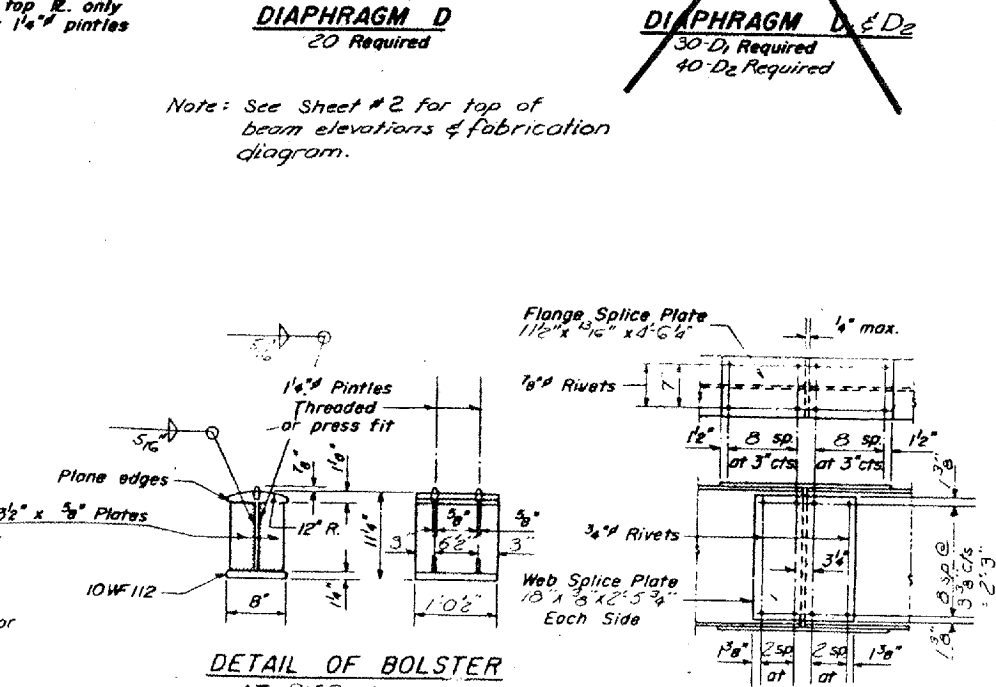
STATE OF ILLINOIS
 DEPARTMENT OF PUBLIC WORKS & BUILDINGS
 DIVISION OF HIGHWAYS
 151'-0" Brg. - E Brg.



DESIGNED Danny J. Chilton
 CHECKED James W. Barker
 PG. Barnett D. Derringer
 DRAWN W. A. Severson Jr.
 CHECKED B

EXAMINED Carl Humant
 PASSED W. A. Severson Jr.
 APPROVED V. E. Stoff

Dec 8 1966



FOR INFORMATION ONLY:
 BRIDGE NO. 5 STRUCTURE 064-0023
 BRIDGE NO. 6 STRUCTURE 064-0024