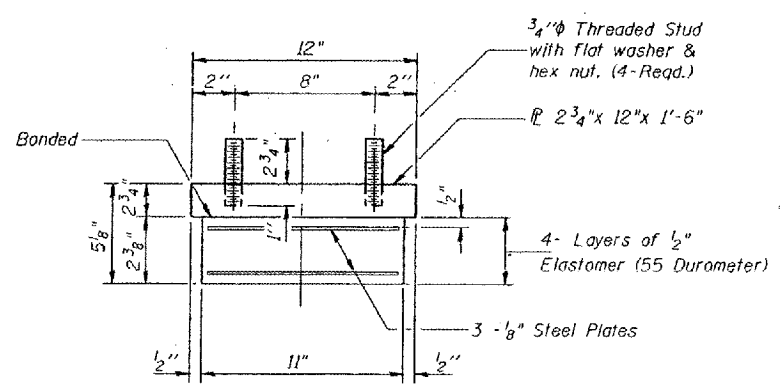


TYPE I ELASTOMERIC BEARING PIER 2

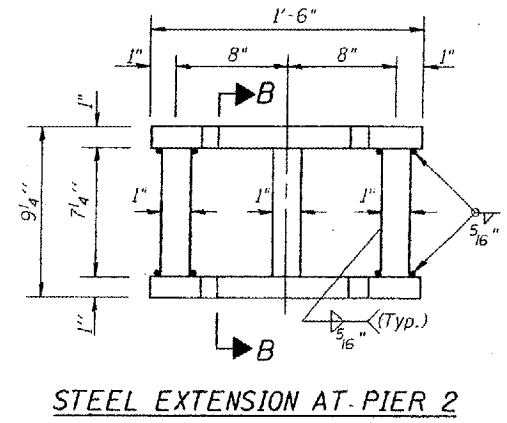
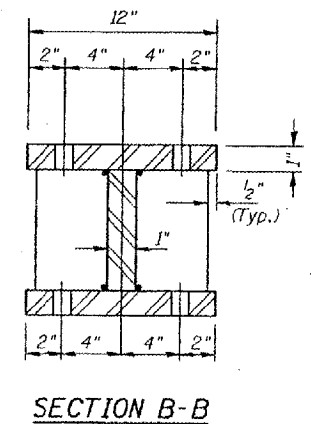


Note: Shim plates shall not be placed under Bearing Assembly

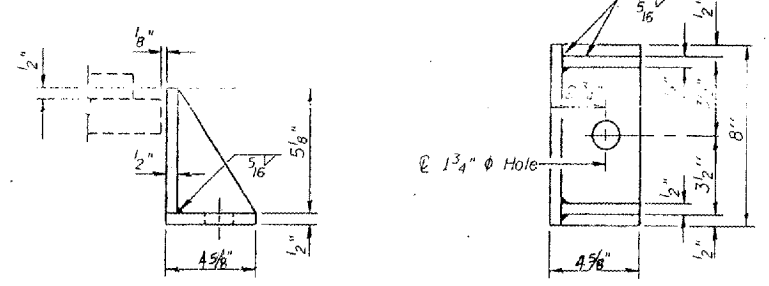
***INTERIOR BEAM REACTION TABLE**

	SERVICE LOADS
R _D (K)	85.8
R _L (K)	44.7
Imp (K)	12.6
R Total (K)	143.1

* Min. Jack capacity at each Beam shall be 85 Tons.



Notes:
 Prior to ordering any material, the contractor shall verify in the field all bearing height dimensions and shim thickness dimensions.
 For anchor bolt installation details see sheet # 8 of 11.
 New steel extensions, side retainers, connection bolts, anchor bolts, and shim plates are included in "Furnishing and Erecting Structural Steel".
 Design and construction of the pier shall be in accordance with the plans and specifications. Cost shall be included in the cost of "Furnishing and Erecting Structural Steel".



Equivalent rolled angle with stiffeners will be allowed in lieu of welded plates. Weight included with Structural Steel.

DESIGNED	J.C.P.
CHECKED	
DRAWN	T.F.
CHECKED	

BILL OF MATERIAL

ITEM	UNIT	TOTAL
ELASTOMERIC BEARING ASSEMBLY TYPE I	EACH	12

FOR INFORMATION ONLY:

ELASTOMER BRIDGE NO. 5 STRUCTURE 064-0023
 BRIDGE NO. 6 STRUCTURE 064-0024



Tue Jul 17 08:47:00 2001 c:\projects\bsmart\064-0023\type1be.r 3.24.dgn LV:1-63