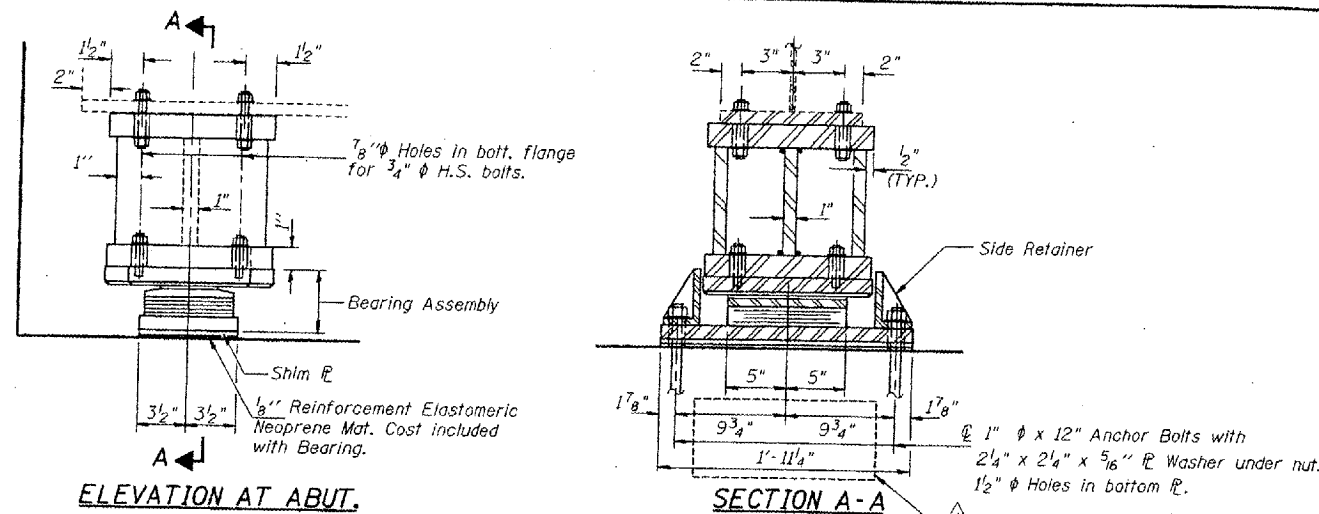


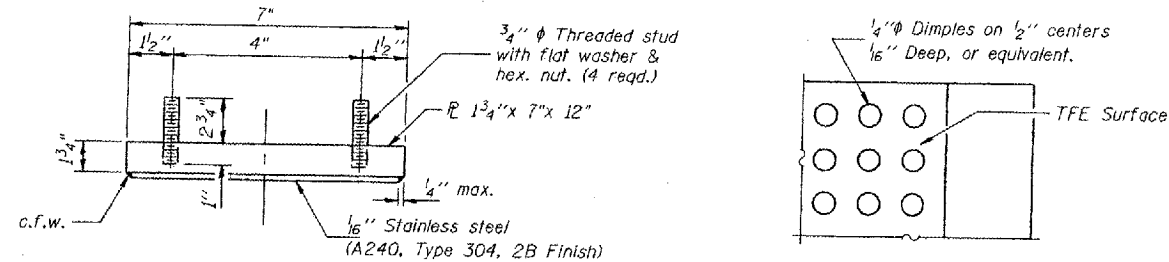
F.A.P. RITE.	SECTION	COUNTY	TOTAL SHEETS	SHEET NO.
I-24	D-9 BSMART FY2001	MASSAC	234	209

FED. ROAD DIST. NO. ILLINOIS FED. AID PROJECT
 Sheet 7 of 11 sheets



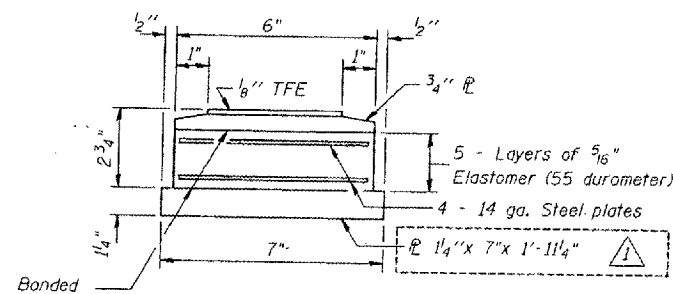
ELEVATION AT ABUT.

TYPE II ELASTOMERIC EXP. BRG.

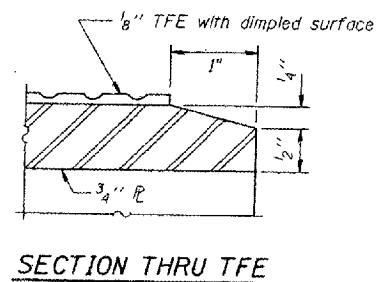


TOP BEARING ASSEMBLY

PLAN-TFE SURFACE

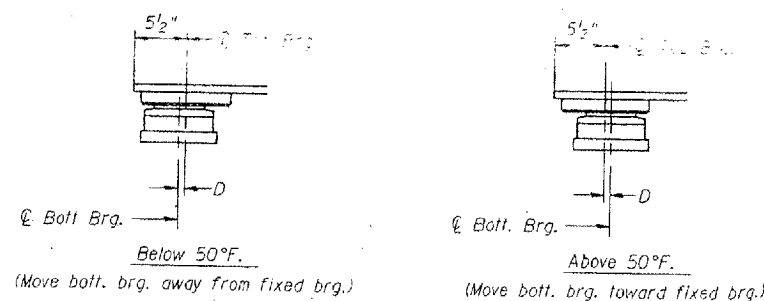


BOTTOM BEARING ASSEMBLY



NOTE: The 1/8" TFE sheet shall be bonded directly to the top steel plate with a two-component, medium viscosity epoxy resin, conforming to the requirements of the Federal Specification MMM-A-134, Type I. The bond agent shall be applied on the full area of the contact surfaces.

Bonding of 1/8" TFE sheet during vulcanizing process will be permitted provided the process and method of adjusting assembly height is approved by the Engineer.



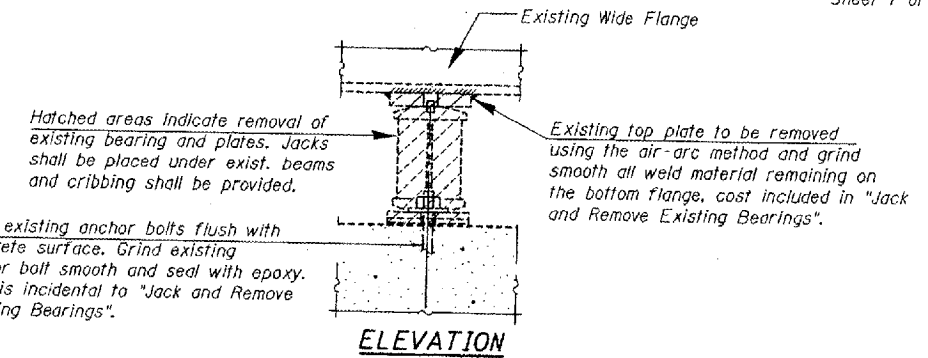
SETTING ANCHOR BOLTS AT EXP. BRG.

D = 1/8" per each 100' of expansion for every 15° temp. Change from the normal temp. of 50°F.

***INTERIOR BEAM REACTION TABLE**

	SERVICE LOADS
R D (K)	13.0
R L (K)	32.3
Imp (K)	9.7
R Total (K)	55.0

* Min. Jack capacity at each Beam shall be 30 Tons.

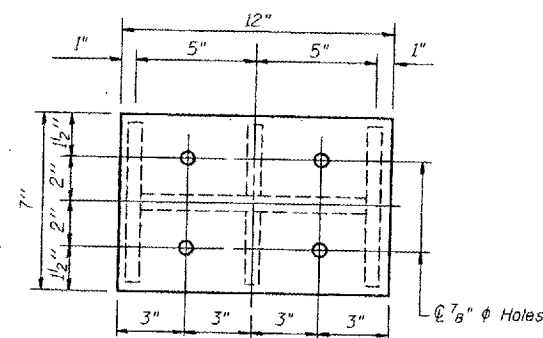


Notes:

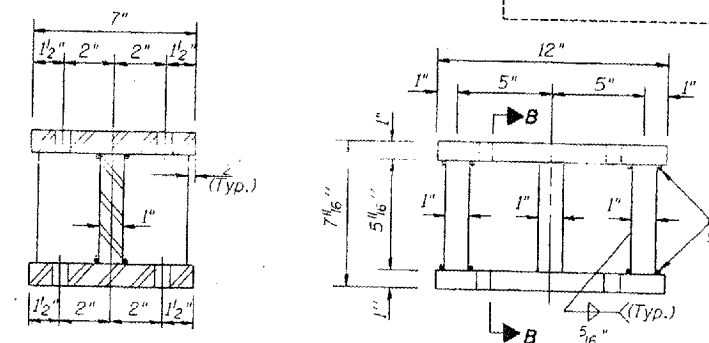
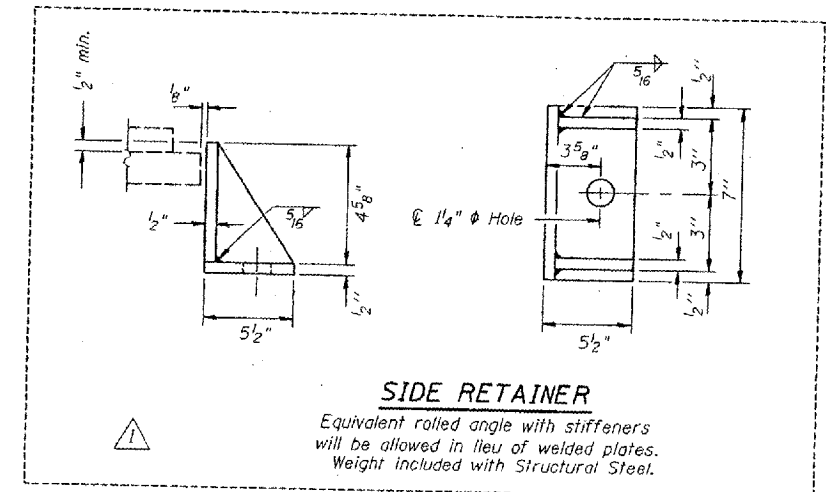
Prior to ordering any material, the contractor shall verify in the field all bearing height dimensions.

For anchor bolt installation details see sheet # 8 of 11

New steel extensions, side retainers, connection bolts, anchor bolts, and shim plates are included in "Furnishing and Erecting Structural Steel".



PLAN TOP AND BOTTOM PLATE



SECTION B-B

STEEL EXTENSION DETAIL

BILL OF MATERIAL

ITEM	UNIT	TOTAL
ELASTOMERIC BEARING	EACH	12

FOR INFORMATION ONLY:

BRIDGE NO. 9 STRUCTURE 064-0030

BRIDGE NO. 10 STRUCTURE 064-0031

DESIGNED	J.C.P.
CHECKED	
DRAWN	T.F.
CHECKED	