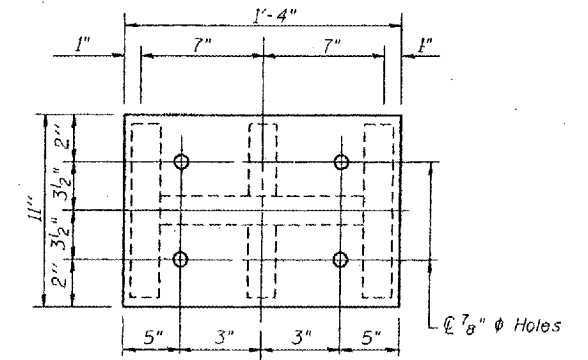
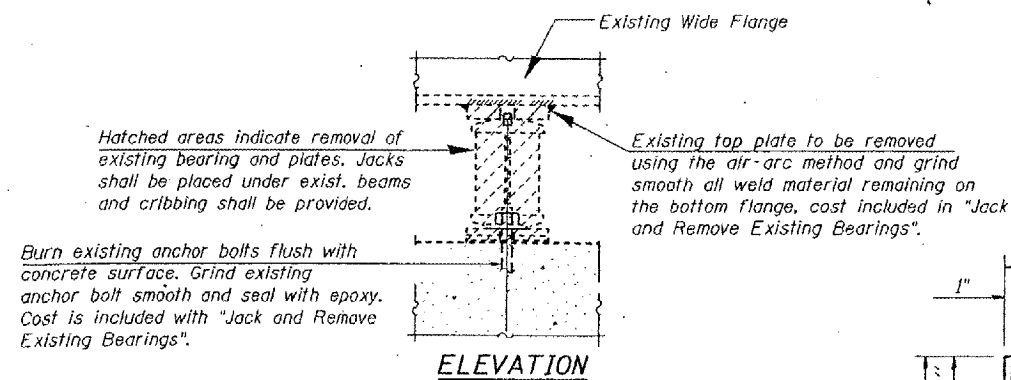
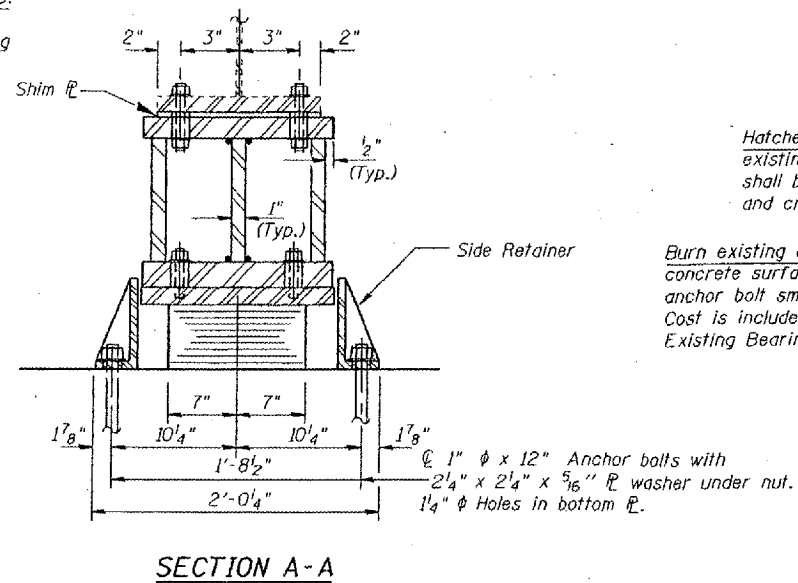
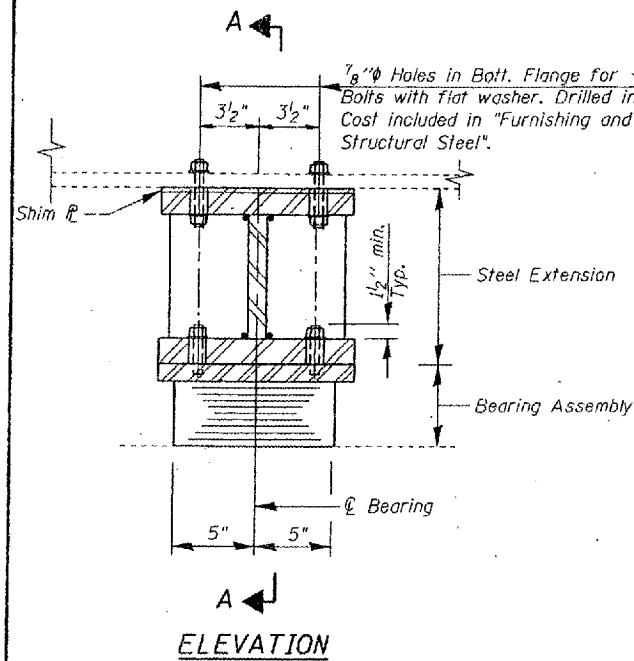
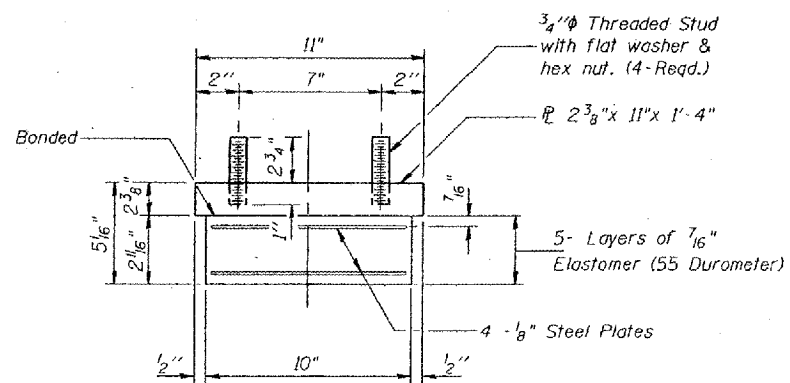


98852



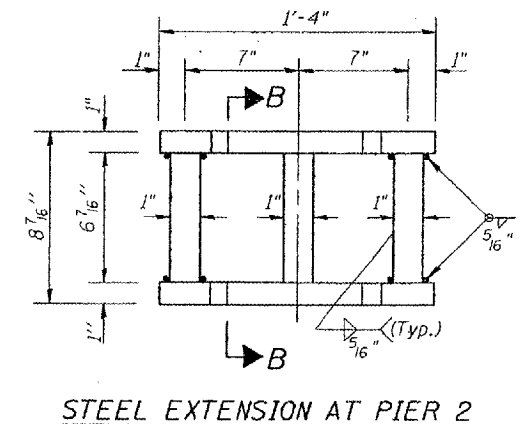
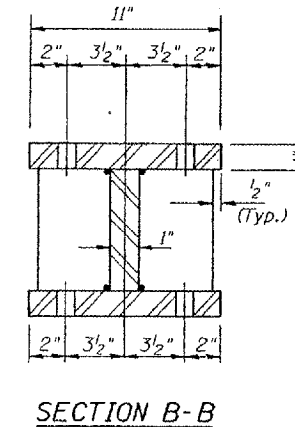
TYPE I ELASTOMERIC BEARING PIER 2



*** BEAM REACTION TABLE**

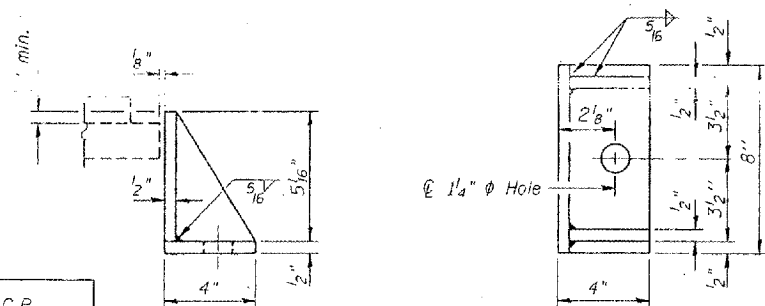
	SERVICE LOADS
R ϕ (K)	58.5
R $\frac{1}{4}$ (K)	43.3
Imp (K)	13.0
R Total (K)	114.8

* Min. Jack capacity at each Beam shall be 65 Tons.



BEARING ASSEMBLY

Note: Shim plates shall not be placed under Bearing Assembly



Equivalent rolled angle with stiffeners will be allowed in lieu of welded plates. Weight included with Structural Steel.

Notes:

Prior to ordering any material, the contractor shall verify in the field all bearing dimensions.

For anchor bolt installation details see sheet # 10 of 12.

New steel extensions, side retainers, connection bolts, anchor bolts, and shim plates are included in "Furnishing and Erecting Structural Steel".

BILL OF MATERIAL

ITEM	UNIT	TOTAL
ELASTOMERIC BEARING ASSEMBLY TYPE I	EACH	14

FOR INFORMATION ONLY:

ELASTOME BRIDGE NO. 13 STRUCTURE 064-0034



DESIGNED	J.C.P.
CHECKED	
DRAWN	T.F.
CHECKED	