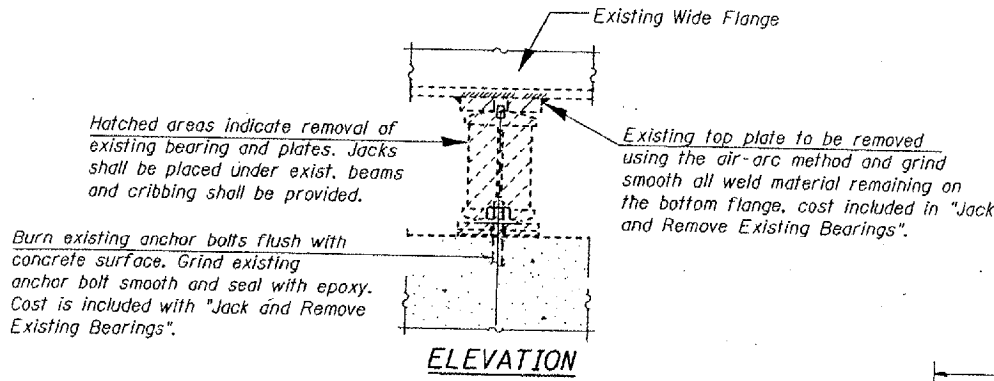
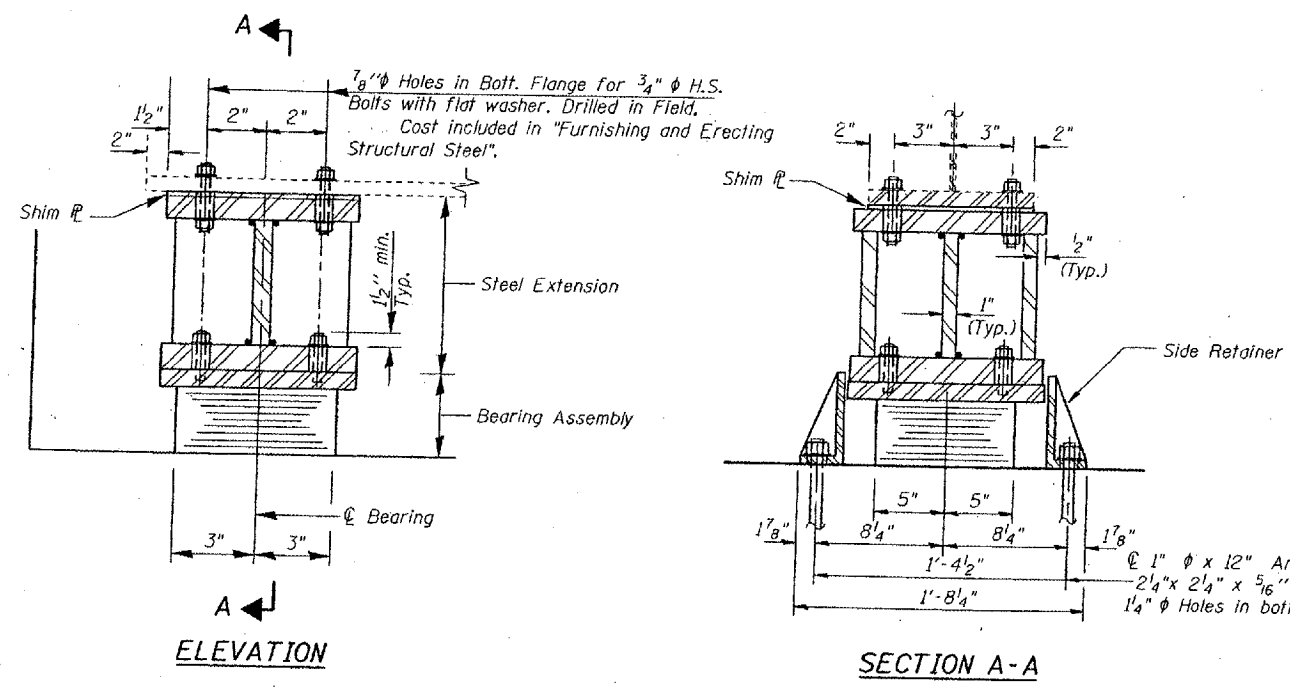
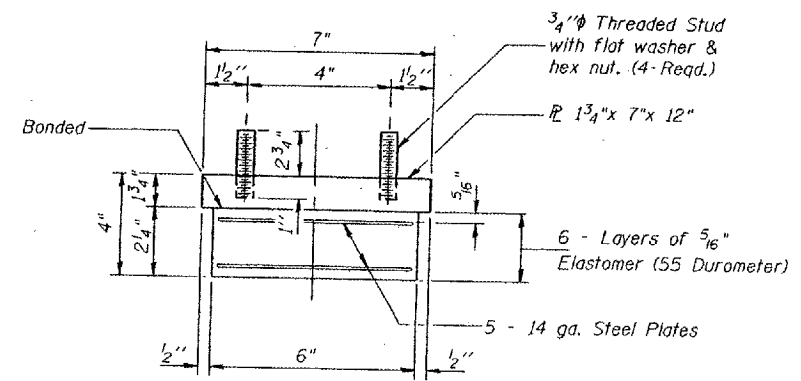


FED. ROAD DIST. NO. ILLINOIS FED. AID PROJECT
 * 640,2,2-1,3-1,3IRS-1. BSMART FY2002-2
 Sheet 7 of 12 sheets



TYPE I ELASTOMERIC BEARING SOUTH ABUT.

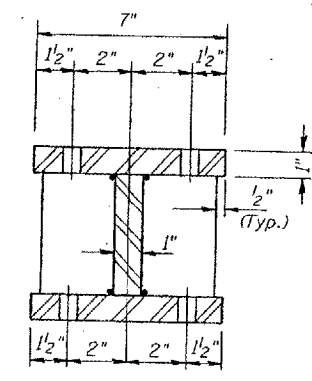


BEARING ASSEMBLY
 Note: Shim plates shall not be placed under Bearing Assembly

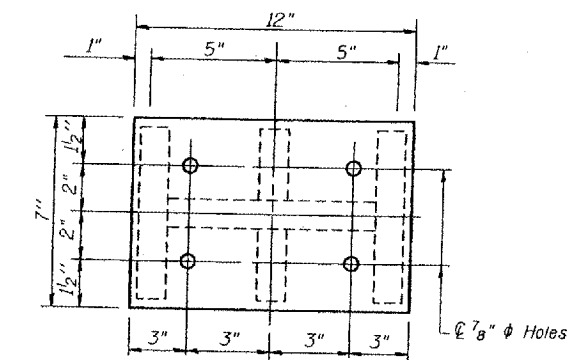
*INTERIOR BEAM REACTION TABLE

	SERVICE LOADS
R _D (K)	10.9
R _L (K)	30.8
Imp (K)	9.2
R Total (K)	50.9

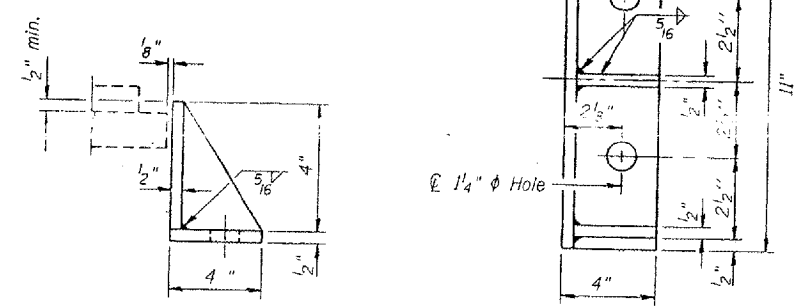
* Min. Jack capacity at each Beam shall be 25 Tons.



SECTION B-B



STEEL EXTENSION AT SOUTH ABUT.



SIDE RETAINER

Equivalent rolled angle with stiffeners will be allowed in lieu of welded plates. Weight included with Structural Steel.

Notes:
 Prior to ordering any material, the contractor shall verify in the field all bearing height dimensions.
 For anchor bolt installation details see sheet # 10 of 12.
 New steel extensions, side retainers, connection bolts, anchor bolts, and shim plates are included in "Furnishing and Erecting Structural Steel".

BILL OF MATERIAL

ITEM	UNIT	TOTAL
ELASTOMERIC BEARING ASSEMBLY TYPE I	EACH	14

FOR INFORMATION ONLY:

ELASTOMERIC BE BRIDGE NO. 13 STRUCTURE 064-0034



wed Jul 18 09:47:46 2001
 c:\p\projects\064-0034\type1bear.cad.dgn LV1-63

DESIGNED	J.C.P.
CHECKED	
DRAWN	T.F.
CHECKED	