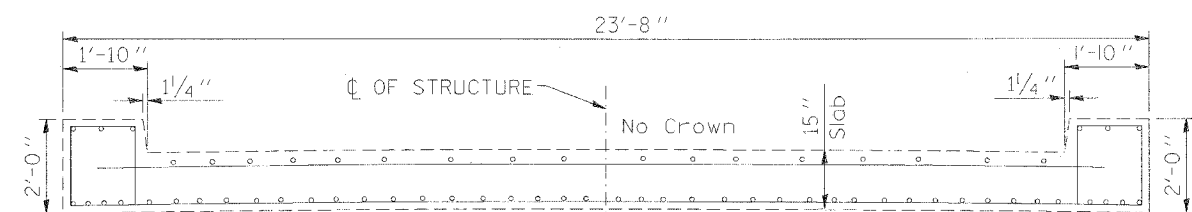
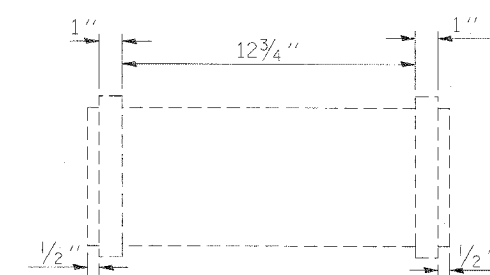
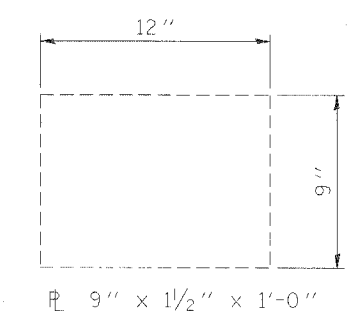
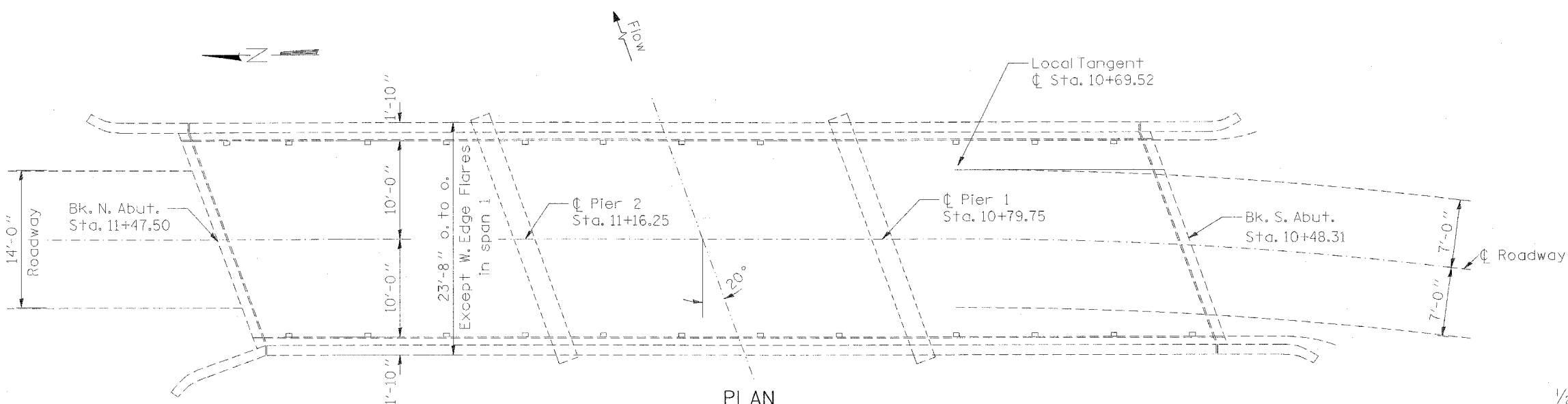
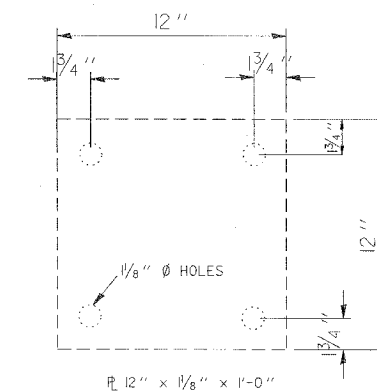
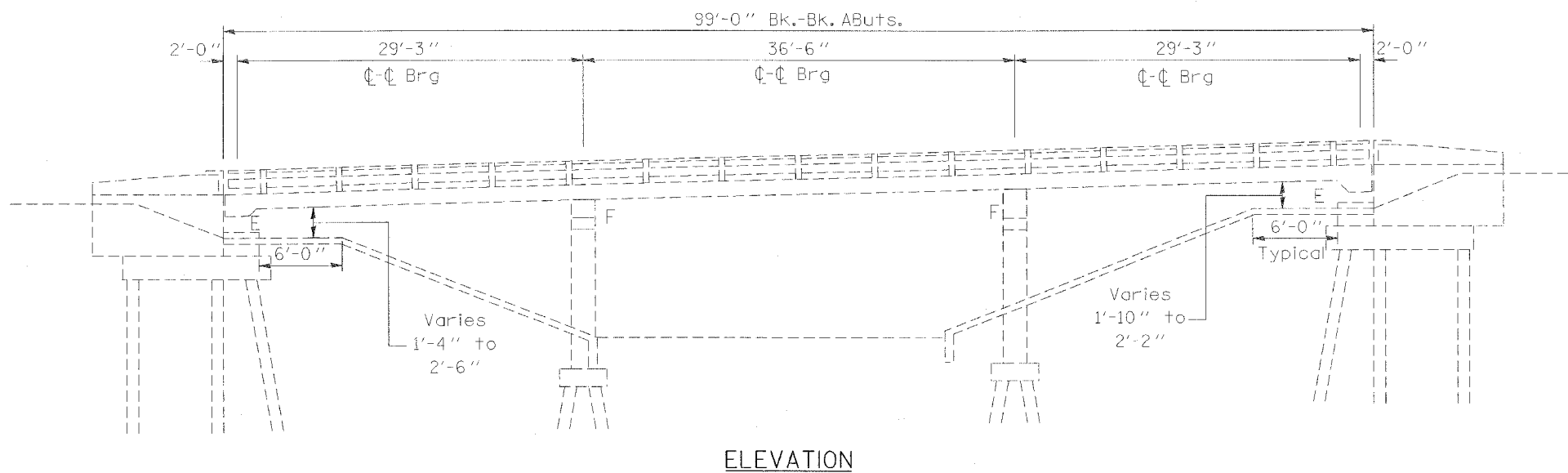


STATE OF ILLINOIS  
DEPARTMENT OF TRANSPORTATION

ROUTE NO.	SECTION	COUNTY	TOTAL SHEETS	SHEET NO.
F. A. 1. 57		UNION	15	4
FED. ROAD DIST. NO. 7	ILLINOIS	PROJECT		

D-9 CONT MAINT FY 05-9  
CONTRACT 98900



EXISTING BEARING DETAILS  
FOR INFORMATION ONLY

GENERAL PLAN AND ELEVATION  
ROUTE 1-57 AT DONGOLA INTERCHANGE  
OFF RAMP "B" 233 OVER STREAM  
STRUCTURE 09I-0020  
UNION COUNTY

DESIGNED	
CHECKED	
DRAWN	RKG
CHECKED	CNT

S.E. = .08 ft/ft Attained between Sta. 11+29.52  
and Sta. 10+09.52