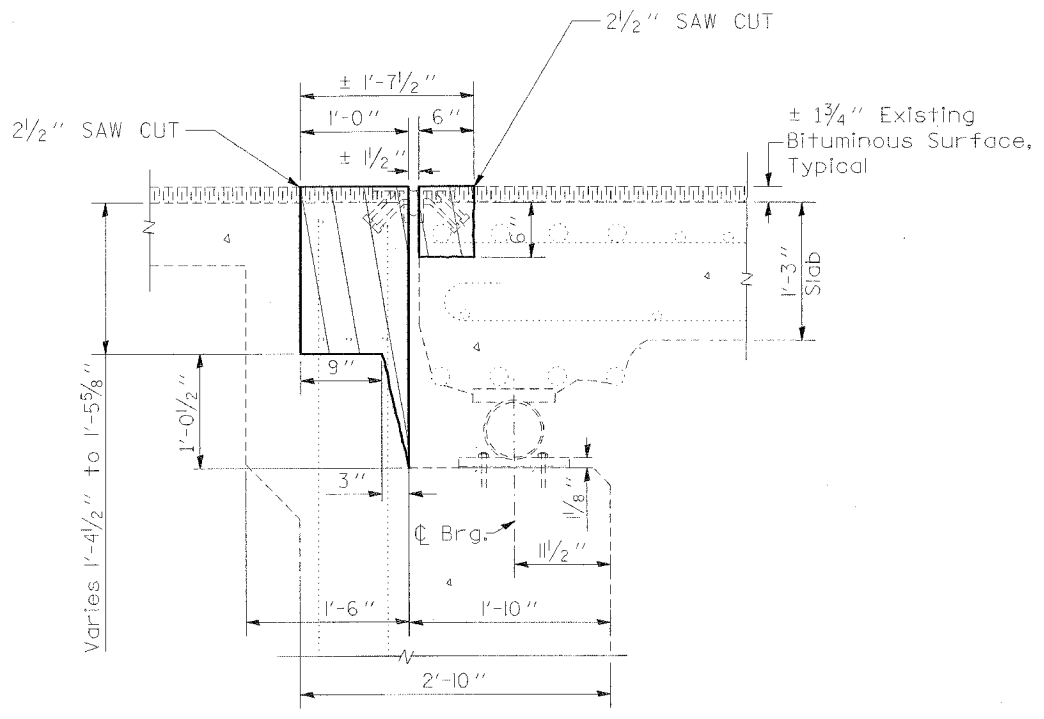
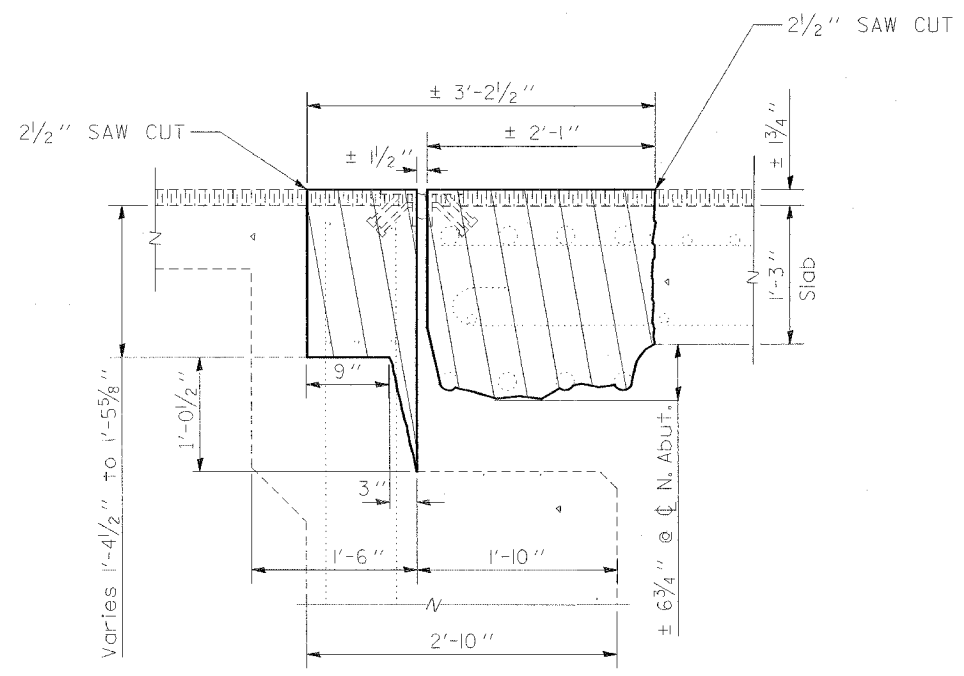


STATE OF ILLINOIS
DEPARTMENT OF TRANSPORTATION

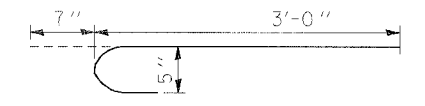
ROUTE NO.	SECTION	COUNTY	TOTAL SHEETS	SHEET NO.
F. A. 1. 57		UNION	15	8
FED. ROAD DIST. NO. 7	ILLINOIS	PROJECT		
D-9 CONT MAINT FY 05-9 CONTRACT NO. 98900				



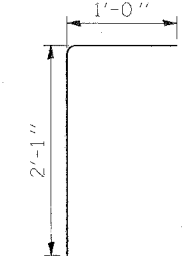
SECTION B-B



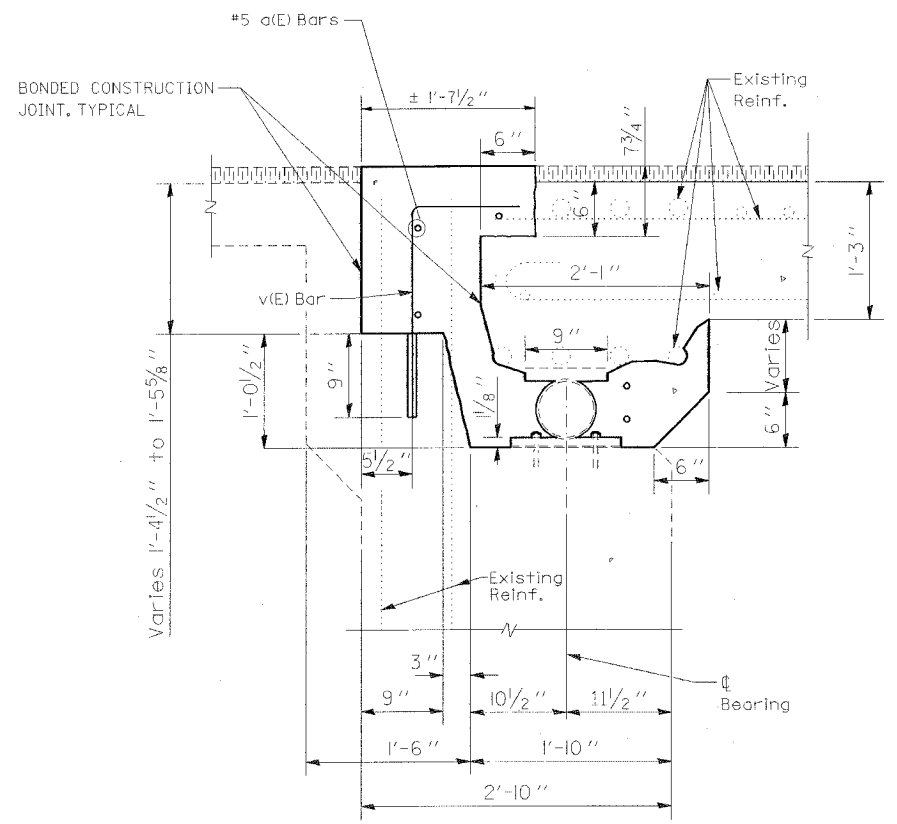
SECTION A-A



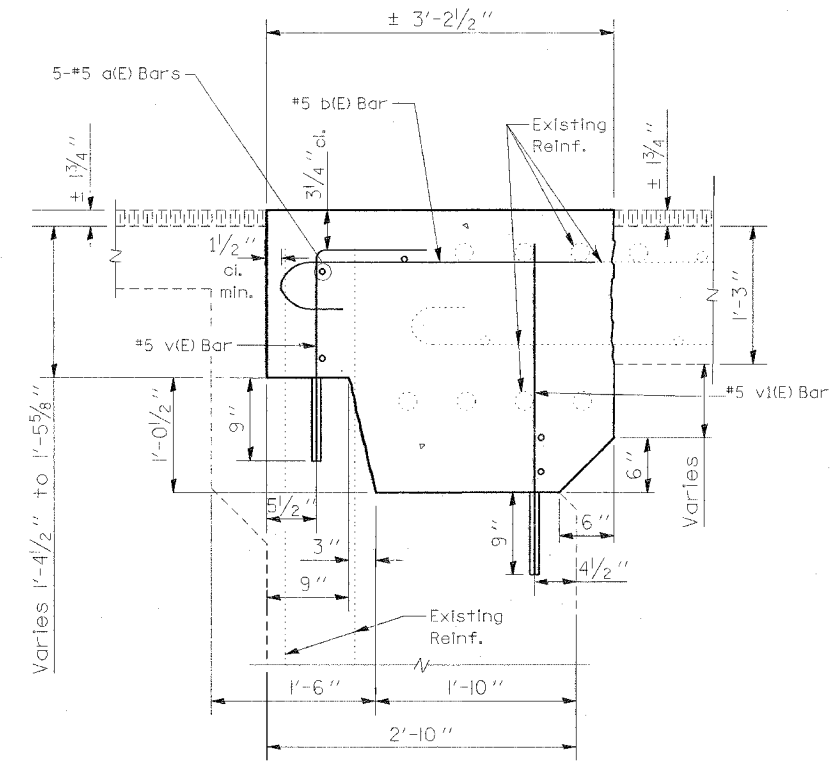
b(E) Bar



v(E) BAR



SECTION D-D



SECTION C-C

NOTE: EPOXY GROUT v(E) BARS AND v1(E) BARS IN 7/8" Ø X 9" (MIN.) DRILLED HOLES ACCORDING TO SECTION 584 OF THE STANDARD SPECIFICATIONS. TRIM v(E) BARS TO FIT AS DEPTH OF NEW CONSTRUCTION VARIES.



DESIGNED	RKG
CHECKED	CNT
DRAWN	RKG
CHECKED	CNT

SECTION VIEWS NORTH ABUTMENT
ROUTE 1-57 AT DONGOLA INTERCHANGE
OFF RAMP "B" 233 OVER STREAM
STRUCTURE 091-0020
UNION COUNTY