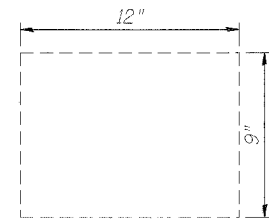


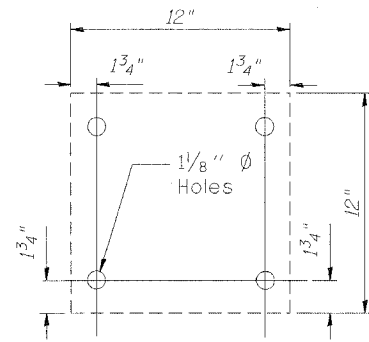
STATE OF ILLINOIS  
DEPARTMENT OF TRANSPORTATION

ROUTE NO.	SECTION	COUNTY	SHEET NO.	TOTAL SHEETS
F. A. I. 57		UNION	15	11
FED. ROAD DIST. NO. 7		ILLINOIS	PROJECT	
D-9 CONT MAINT FY 05-9 CONTRACT 98900				



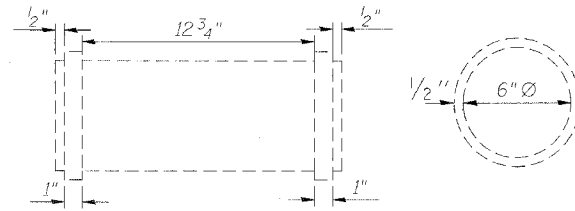
PL 1/2" x 9" x 12"

TOP PLATE



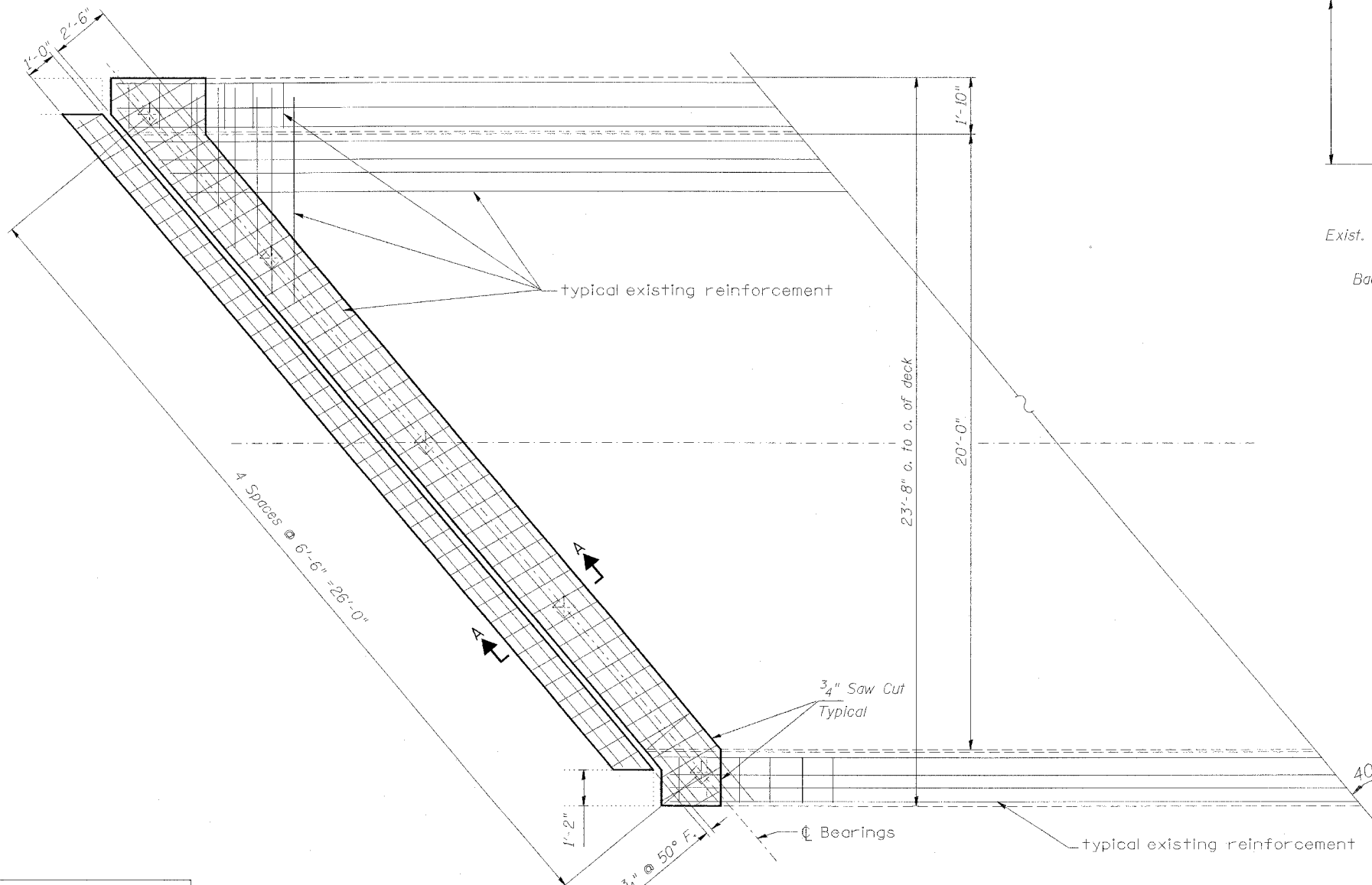
PL 1/8" x 12" x 12"

BOTTOM PLATE



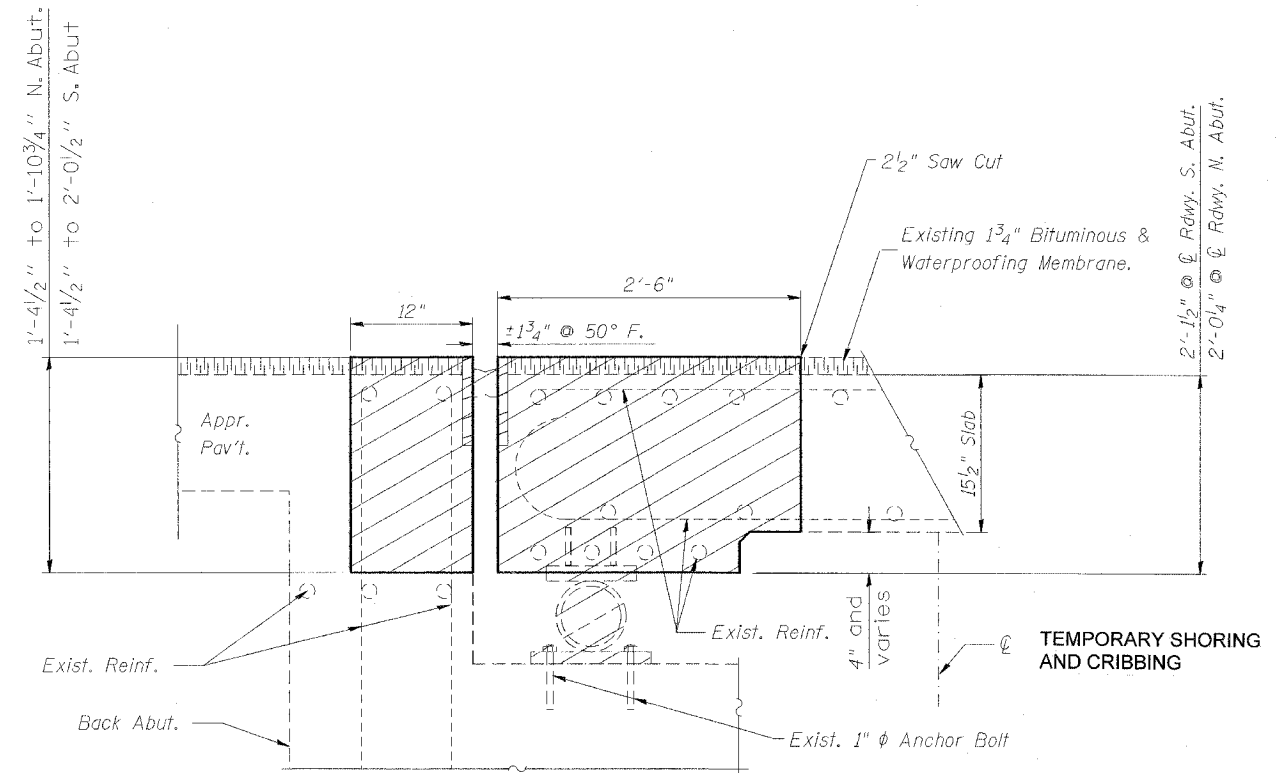
ROLLER

EXISTING BEARINGS TO BE REMOVED



HALF PLAN CONCRETE REMOVAL

North Abutment shown  
South Abutment similar by rotation



SECTION A-A

Dimensions measured @  
Right Angles

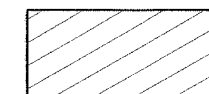
Notes:

Existing expansion joint angle to be removed. Cost included in CONCRETE REMOVAL.

Burn existing anchor bolts flush with existing concrete surface.  
Grind existing anchor bolts smooth and seal with epoxy.

Temporary Shoring and Cribbing Required. Supports shall remain in place until concrete has reached required strength.

Existing reinforcement bars extending into the removal area shall be cleaned, straightened and incorporated into the new construction. Any reinforcement bars that are damaged during concrete removal shall be replaced with an approved bar splicer or anchorage system. Cost included with Concrete Removal.



CONCRETE REMOVAL

CONCRETE REMOVAL DETAILS  
ROUTE I-57 AT DONGOLA INTERCHANGE  
ON RAMP "C" 219 OVER STREAM  
STRUCTURE 091-0019  
UNION COUNTY

DESIGNED	RKG
CHECKED	CNT
DRAWN	RKG
CHECKED	CNT