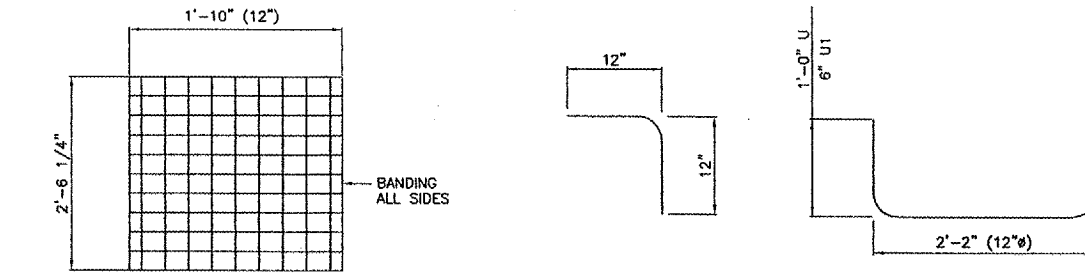


DETAIL A
NO SCALE

TYPE	BAR	QUANTITY	SIZE	LENGTH
12"	h	4	#4	5'-6"
12"	h1	2	#4	4'-0"
12"	L	4	#4	2'-0"
12"	U	7	#4	4'-2"
12"	U1	2	#4	3'-2"
12"	V	4	#4	1'-4"
12"	V1	4	#4	1'-0"
12"	V2	4	#4	6"
CONCRETE STRUCTURES				
12"			CU.YD.	1
REINFORCEMENT BARS				
12"			POUND	57
GRATING				
12"			SQ.FT.	9

TABLE OF DIMENSIONS

DIMENSION	12"Ø
A	5'-10"
B	2'-6"
C	5'-1"



12' GRATING DETAILS - PLAN VIEW

NO SCALE
 ONE SECTION OF GRATING DETAILED.
 TOTAL OF 2 SECTIONS REQUIRED FOR 12'.
 SEE SPECIAL PROVISIONS FOR FURTHER DETAILS.

BAR L
NO SCALE

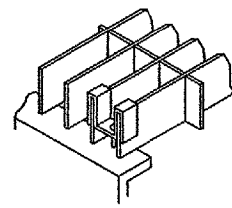
BAR U, U1 AND U2
NO SCALE

BILL OF MATERIALS
INLET BOX

REVISIONS

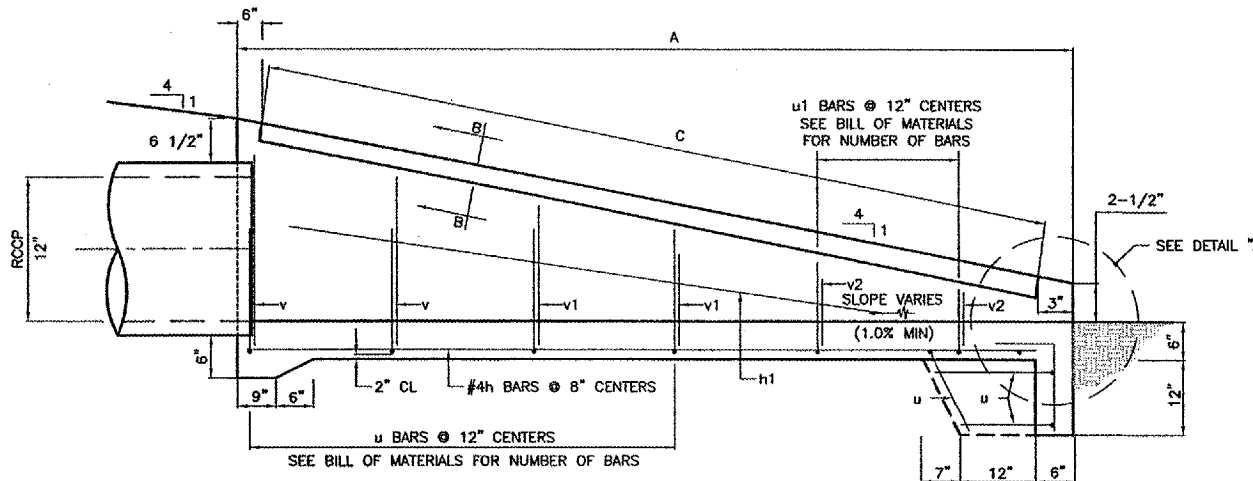
NUMBER	BY	DATE

0 1 2
 THIS BAR IS EQUAL TO 2" AT FULL SCALE (34X22).

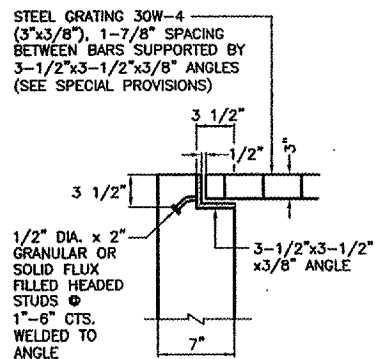


PROVIDE BENT-CLIP TYPE FASTENER FOR REMOVING PANELS (STAINLESS STEEL)

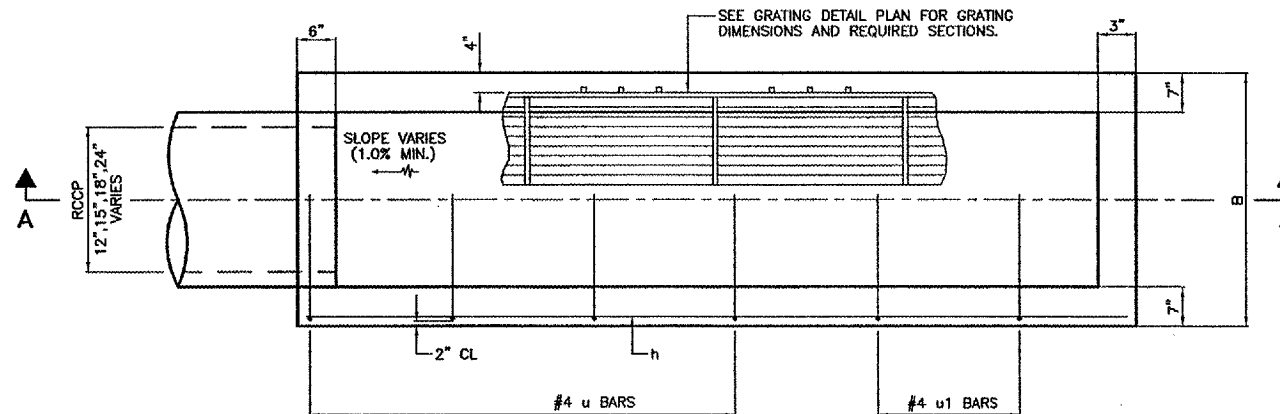
SADDLE CLIP
NO SCALE



SECTION A-A
NO SCALE



SECTION-B
NO SCALE



PLAN
NO SCALE

**AURORA MUNICIPAL AIRPORT
 AURORA, ILLINOIS
 CONSTRUCT NORTHEAST QUADRANT APRON,
 CONNECTING TAXIWAY AND RUNWAY 27 STOPWAY**

SLOPE BOX INLET DETAILS

© Copyright Carl, Inc.
CMT
 CRANFORD, MERRY & TULLY, INC.
 CONSULTING ENGINEERS
 License No. 184-00615

DESIGN BY: ATI
 DRAWN BY: JRO
 CHECKED BY: MJS
 APPROVED BY: DKP
 DATE: 01/26/05
 JOB No: 04285-03
 ILLINOIS PROJECT: ARR-3442
 A.I.P. PROJECT: 3-17-0003-B30
FINAL SUBMITTAL
 SHEET 22 OF 39 SHEETS