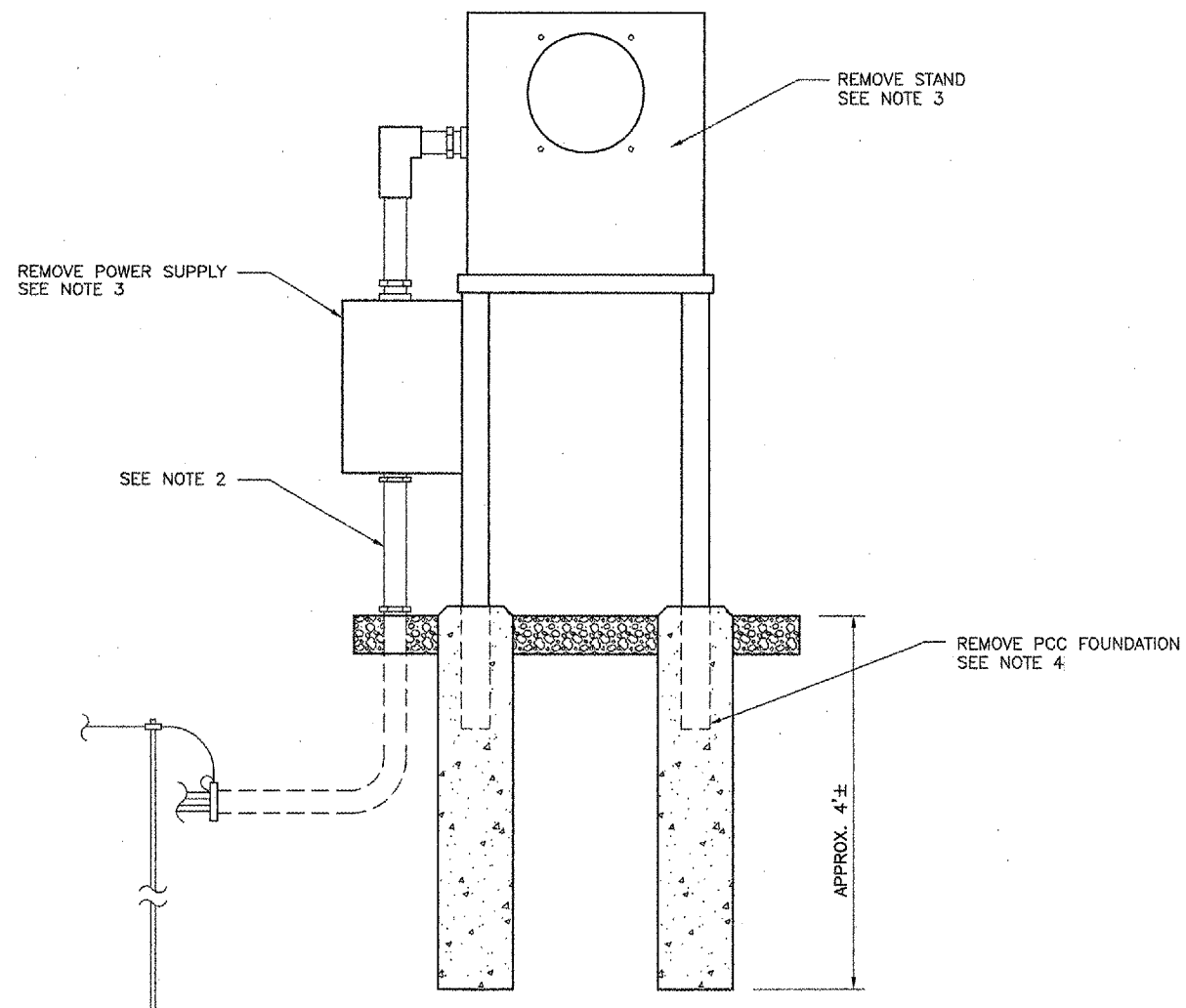
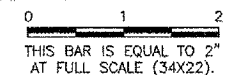


IMAGE FILES:

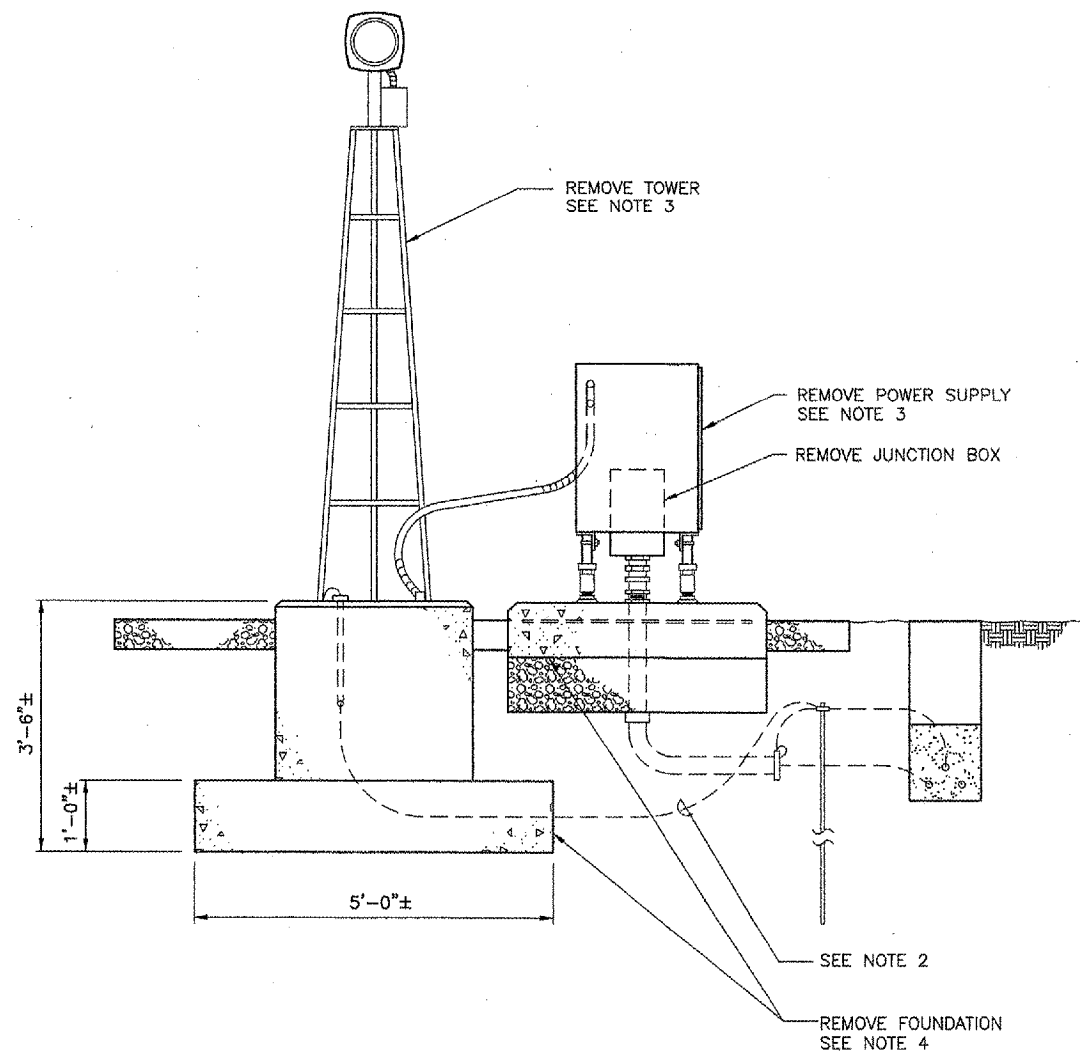
| REVISIONS | | |
|-----------|----|------|
| NUMBER | BY | DATE |
| | | |
| | | |
| | | |



SEQUENCED FLASHER STAND STRUCTURE

N.T.S.

(INCLUDED IN MALSR REMOVAL)



SEQUENCED FLASHER-FRANGIBLE TOWER

N.T.S.

(INCLUDED IN MALSR REMOVAL)

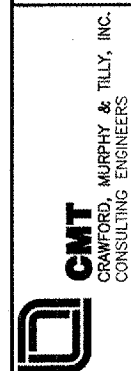
NOTES

1. MALSR REMOVAL INCLUDES REMOVAL OF TWO APPROACH LIGHT STAND STRUCTURES, FOUR APPROACH LIGHT MAST STRUCTURE, TWO SEQUENCE FLASHER TOWER STRUCTURES, THREE SEQUENCE FLASHER STAND STRUCTURES, FOUNDATIONS FOR STRUCTURES, JUNCTION BOXES, AGGREGATE, CONDUITS, GROUND RODS AND INCIDENTALS.
2. PRIOR TO REMOVAL, DISCONNECT ALL POWER SUPPLIES.
3. REMOVE AND DISPOSE MAST, STANDS AND TOWERS, LIGHTS AND POWER SUPPLY.
4. REMOVE FOUNDATION, PCC PADS, GROUND RODS AND BACKFILL WITH COMPACTED SOIL.

BLOOMINGTON-NORMAL AIRPORT AUTHORITY
 CENTRAL ILLINOIS REGIONAL AIRPORT
 BLOOMINGTON, ILLINOIS

INSTALL RUNWAY 29 MALSR

SEQUENCED FLASHER REMOVAL DETAIL



| | |
|--------------|-------------|
| DESIGN BY: | TM |
| DRAWN BY: | CMT |
| CHECKED BY: | RW |
| APPROVED BY: | RW |
| DATE: | 12/25/2004 |
| JOB No: | 03085-03-00 |