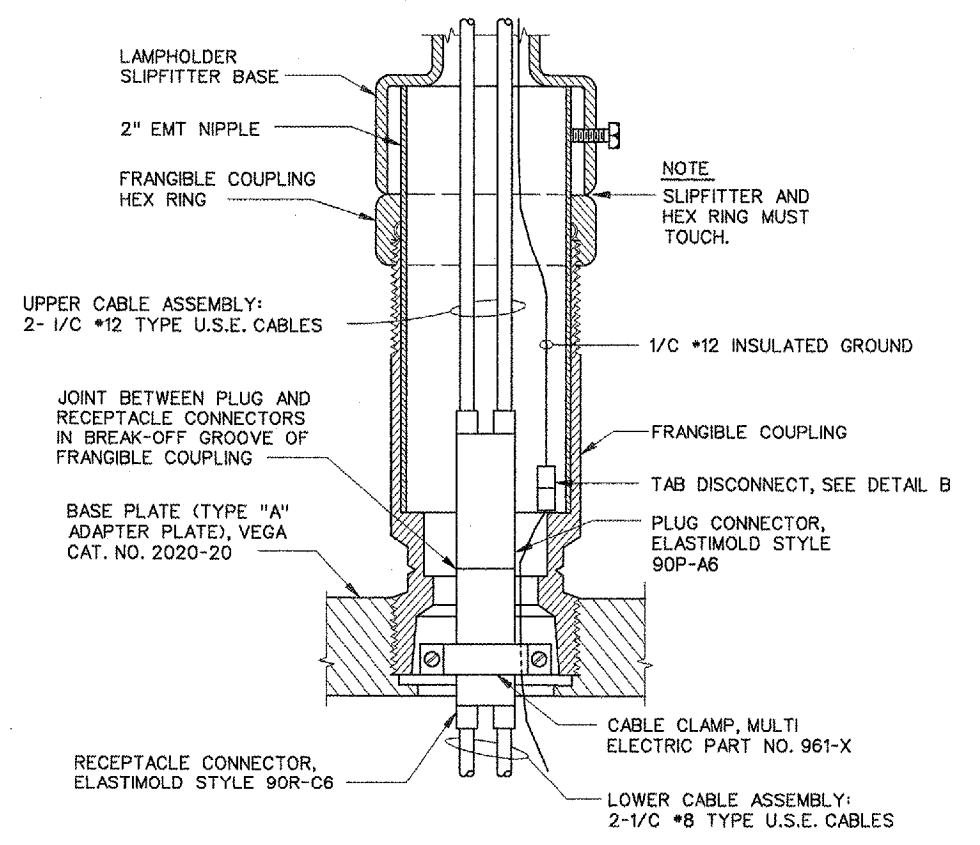


DETAIL "B"

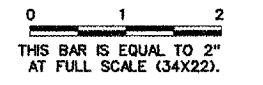
FRANGIBLE THRESHOLD BAR LIGHT EXPLODED VIEW  
 (TYPICAL OF 18)



DETAIL "C"

FRANGIBLE COUPLING MOUNTING IN  
 ADAPTER PLATE

REVISIONS		
NUMBER	BY	DATE



BLOOMINGTON-NORMAL AIRPORT AUTHORITY  
 CENTRAL ILLINOIS REGIONAL AIRPORT  
 BLOOMINGTON, ILLINOIS

MALS THRESHOLD BAR DETAILS - 2

**CMT**  
 CRAWFORD, MURPHY & TILLY, INC.  
 CONSULTING ENGINEERS  
© Copyright CMT, Inc.

DESIGN BY:	TM
DRAWN BY:	CMT
CHECKED BY:	
APPROVED BY:	
DATE:	12/25/2004
JOB No:	030850300