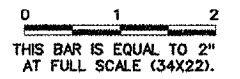
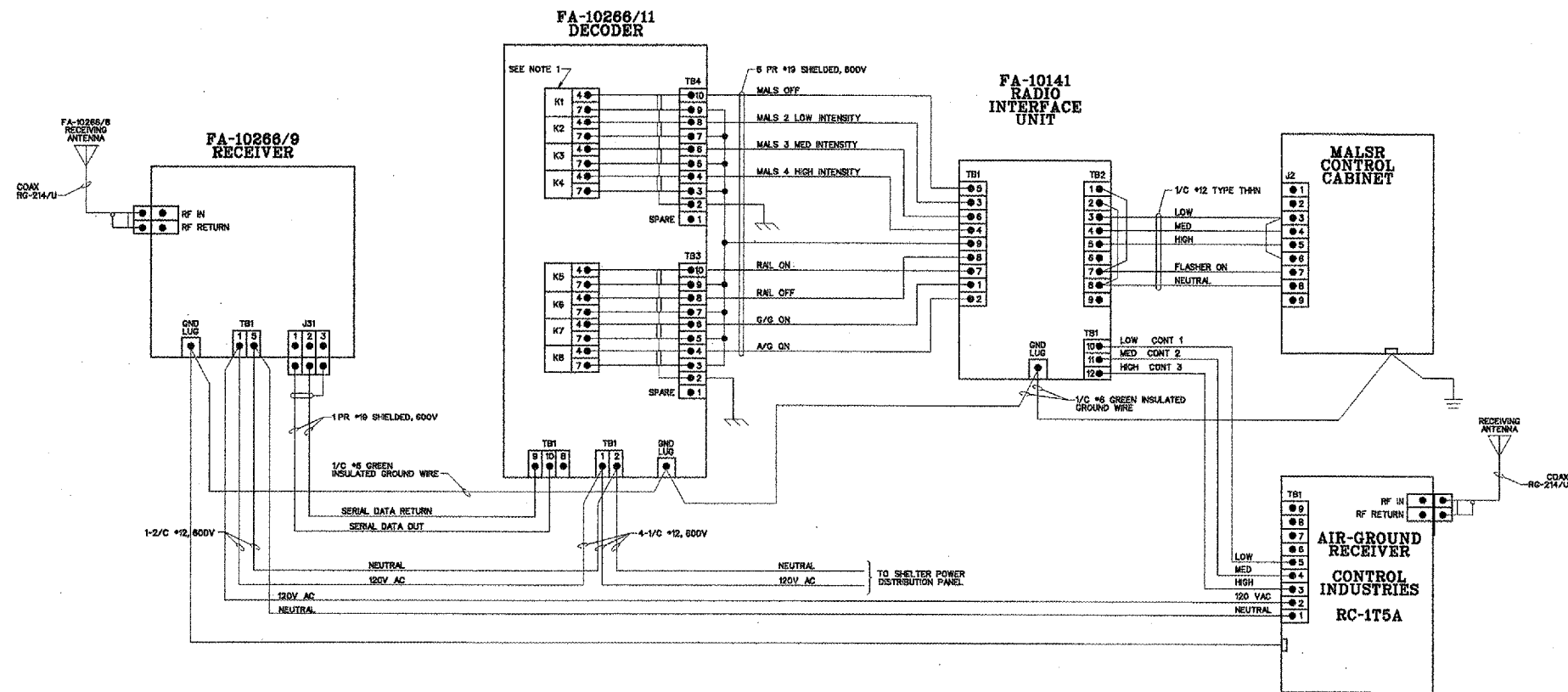


REVISIONS		
NUMBER	BY	DATE



NOTES:

- RELAYS 1 THRU 8 IN DECODER UNIT REPLACED WITH POTTER AND BRUMFIELD RELAYS, CAT #KUP1D15-24VDC.



BLOOMINGTON-NORMAL AIRPORT AUTHORITY
 CENTRAL ILLINOIS REGIONAL AIRPORT
 BLOOMINGTON, ILLINOIS

RRCS WIRING DIAGRAM

CMT
 CRAWFORD, MURPHY & TILLY, INC.
 CONSULTING ENGINEERS
 © copyright CMT, Inc.

DESIGN BY:	TM
DRAWN BY:	CMT
CHECKED BY:	<i>RW</i>
APPROVED BY:	<i>RW</i>
DATE:	12/25/2004
JOB No:	030850300