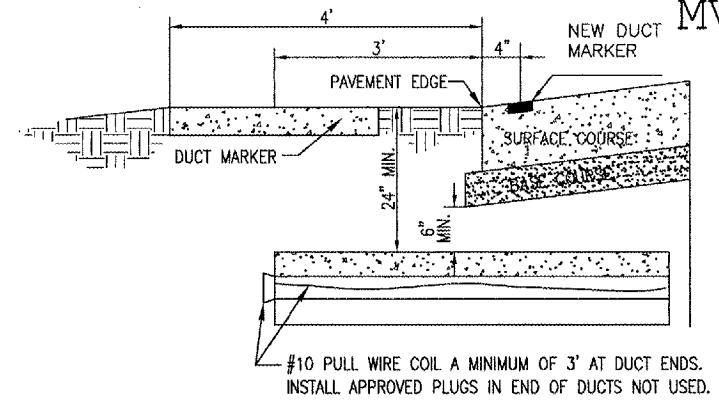


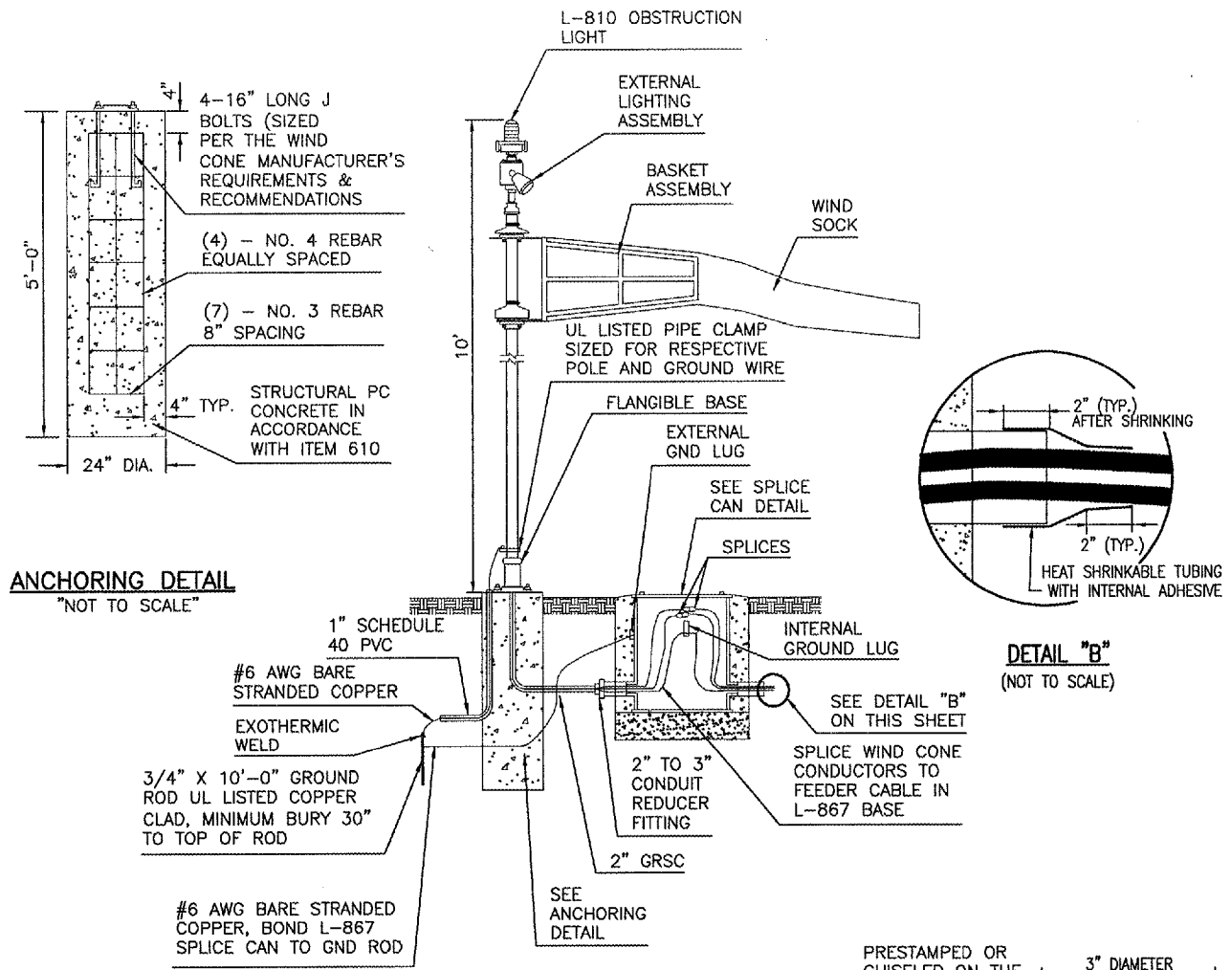
GENERAL NOTES

SEE LIGHTING LAYOUT SHEET FOR SIGN LEGEND, LOCATION, TYPE, SIZE, STYLE, AND CLASS.
SEE SHEETS 16 THROUGH 17 FOR ELECTRICAL NOTES.

THE LOCATION OF UNDERGROUND UTILITIES AS INDICATED ON THE PLANS HAS BEEN OBTAINED FROM EXISTING RECORDS. NEITHER THE OWNER NOR THE ENGINEER ASSUMES ANY RESPONSIBILITY WHATSOEVER, IN RESPECT TO THE ACCURACY OR SUFFICIENCY OF THE INFORMATION AND THERE IS NO GUARANTEE, EITHER EXPRESSED OR IMPLIED, THAT THE CONDITIONS ARE REPRESENTATIVE OF THOSE TO BE ENCOUNTERED IN THE CONSTRUCTION.



UNDERGROUND ELECTRICAL DUCT
(NOT TO SCALE)

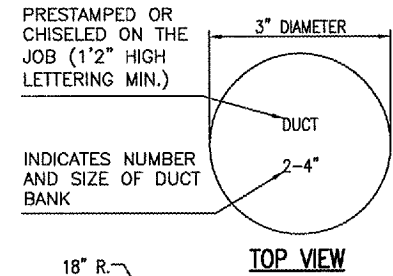


ANCHORING DETAIL
(NOT TO SCALE)

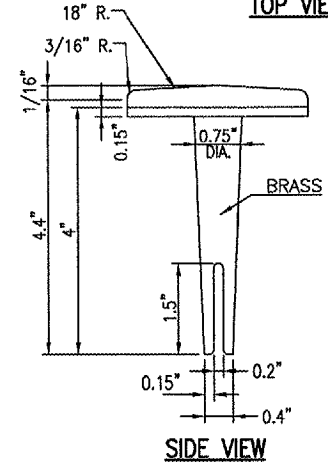
DETAIL "B"
(NOT TO SCALE)

EXTERNALLY LIGHTED L806 WIND CONE

NOTE: "NOT TO SCALE"
WIND CONE SHALL ALSO INCLUDE INTERNAL LIGHTING OPTION.



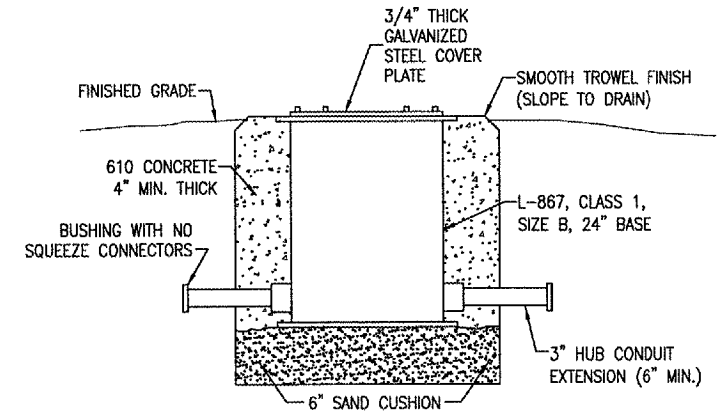
TOP VIEW



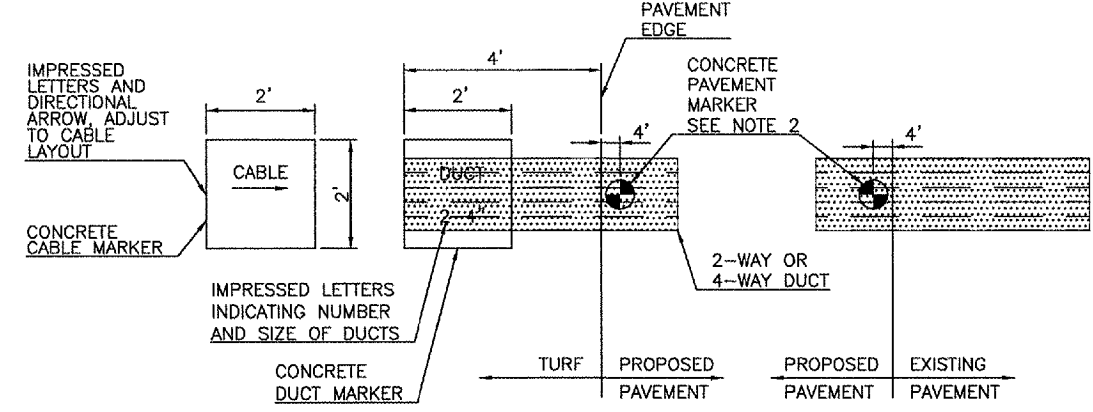
SIDE VIEW

NOTE: TOP OF MARKER SHALL BE FLUSH WITH FINISHED PAVEMENT SURFACE. MARKER MAY BE INSTALLED IN A DRILLED HOLE AND SECURED WITH EPOXY GLUE.

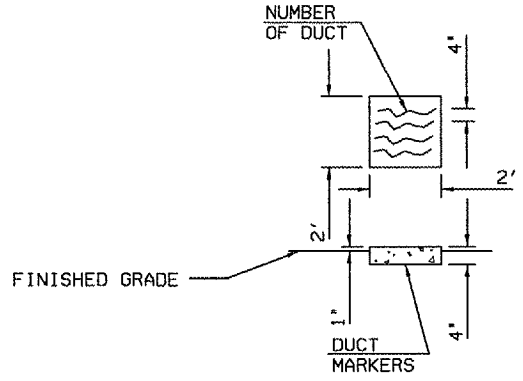
BITUMINOUS PAVEMENT MARKER



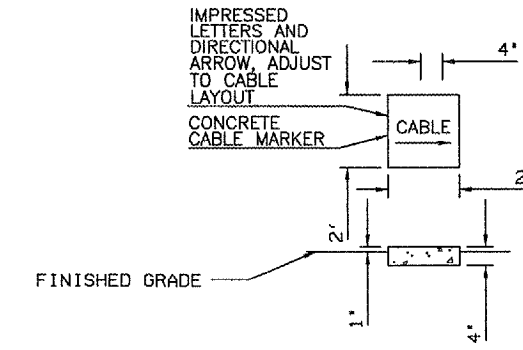
SPLICE CAN DETAIL
(NOT TO SCALE)



LOCATION PLAN



TURF DUCT MARKERS
'NOT TO SCALE'



TURF CABLE MARKERS
'NOT TO SCALE'

NOTE: THE COST OF ALL TURF AND PAVEMENT DUCT MARKERS SHALL BE INCIDENTAL TO THE DUCT. THE COST OF ALL CABLE MARKERS SHALL BE INCIDENTAL TO THE CABLE.

BITUMINOUS PAVEMENT DUCT MARKER AND CONCRETE DUCT MARKER TO BE PROVIDED AT EACH END OF EACH DUCT AS SHOWN ON THE LOCATION PLAN. FOR CONCRETE PAVEMENT, THE LETTER "D" SHALL BE IMPRESSED IN THE PAVEMENT INSTEAD OF THE MARKER. THE LETTER SHALL BE INFORMED AS DESCRIBED IN NOTE 4.

CABLE MARKERS SHALL BE PLACED AT CHANGES OF DIRECTION AND EVERY 200' ALONG CABLE RUNS.

LETTERS 4" HIGH, 3" WIDE WITH WIDTH OF STROKE 1/2" AND 1/4" DEEP. ALL LETTERS, NUMBERS AND ARROWS TO BE IMPRESSED.

TURF AND PAVEMENT DUCT AND CABLE MARKERS

BY	
REVISION	
DATE	

HANSON
MT. VERNON, ILLINOIS
A.I.P. PROJ.: 3-17-0074-B1
M.V.N.-3428

HEI Project No. 819-05RWYD 0803	Files: R-541ELE	Scale: NOT TO SCALE	Date: 12/20/04
LAYOUT	RA.W.	12/20/04	
DRAWN	B.A.K.	12/20/04	
REVIEWED	C.A.H.	12/20/04	

HANSON
Hanson Professional Services Inc.
1525 South Sixth Street
Springfield, Illinois 62703-2886
Offices Nationwide

REHABILITATE RUNWAY 5-23
PROPOSED ELECTRICAL DETAILS

01/31/2005, 11:55 AM I:\projects\MtVernon\819-05RWYD\Design\Sheets\R-541ELE.dgn