

MV053

WORK SHOWN ON THIS SHEET IS FOR BID ALTERNATE NO. 1

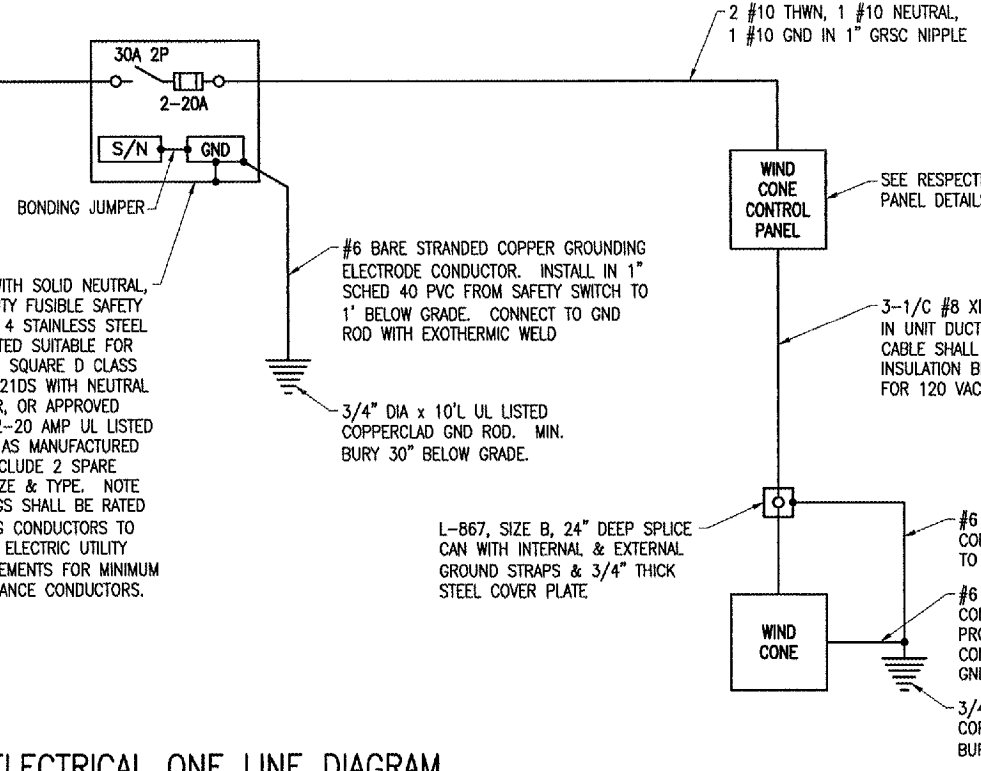
ELECTRICAL NOTES

- ALL ELECTRICAL EQUIPMENT SHALL BE INSTALLED IN CONFORMANCE WITH NFPA70 (MOST CURRENT ISSUE IN FORCE), THE RESPECTIVE EQUIPMENT MANUFACTURER'S DIRECTIONS AND ALL OTHER APPLICABLE LOCAL CODES, LAWS, ORDINANCES, AND REQUIREMENTS IN FORCE. ANY INSTALLATIONS WHICH VOID THE U.L. LISTING, ETL LISTING, (OR OTHER THIRD PARTY LISTING) AND/OR THE MANUFACTURER'S WARRANTY OF A DEVICE SHALL NOT BE PERMITTED.
- CONTRACTOR SHALL COORDINATE ANY POWER OUTAGES TO EXISTING EQUIPMENT WITH THE AIRPORT MANAGER, AND THE RESIDENT ENGINEER.
- CONTRACTOR SHALL COORDINATE ELECTRIC SERVICE WORK WITH THE SERVING ELECTRIC UTILITY (AMEREN ILLINOIS POWER, P.O. BOX 868, MT. VERNON, IL 62864, ATTN. MR. BRENT BARTLEY, PHONE: 618-244-8220, CELL PHONE: 618-267-8446) & THE AIRPORT MANAGER. NOTE THE NEW SERVICES FOR THE WINDCONES ARE TO BE OBTAINED FROM EXISTING UTILITY TRANSFORMERS THAT SERVE FAA FACILITIES AND EQUIPMENT. ARRANGE WITH THE AIRPORT MANAGER TO CONTACT THE RESPECTIVE FAA PERSONNEL AND NOTIFY THEM OF ANY SCHEDULED POWER OUTAGES.
- ALL EQUIPMENT NOT LABELED AS EXISTING IS NEW.
- PROVIDE NEMA 4 HUBS FOR ALL CONDUIT ENTRIES INTO NEMA 4 RATED ENCLOSURES.
- ALL CONDUCTORS/WIRING SHALL BE COPPER.
- ELECTRIC SERVICE & WIND CONE CONTROL WORK SHALL BE PAID FOR UNDER THE FOLLOWING:
AS800460 ELECTRICAL SERVICE FOR RUNWAY 5 WIND CONE PER LUMP SUM
AS800461 ELECTRICAL SERVICE FOR RUNWAY 23 WIND CONE PER LUMP SUM
- WIND CONES SHALL BE PAID FOR UNDER AS107408.
- PROVIDE 5' LONG BY 4' WIDE BY 6" THICK CONCRETE PAD IN FRONT OF EACH SERVICE ENTRANCE STRUCTURE.

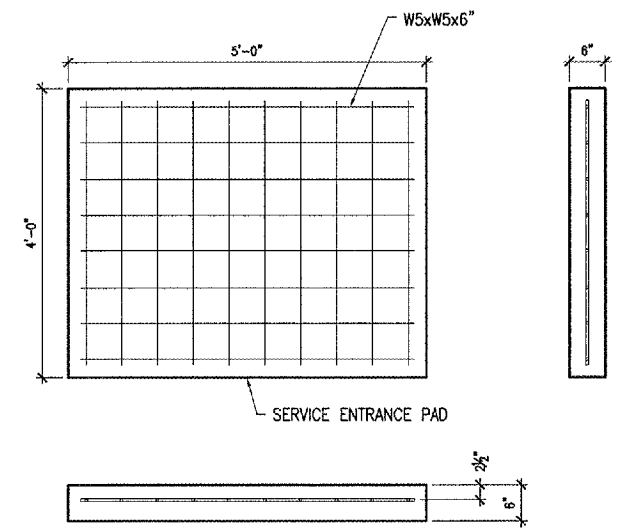
2 #3 THWN, 1 #3 NEUTRAL IN 1 1/4" GRSC COORDINATE CONDUIT ENTRY TO PAD MOUNT TRANSFORMER WITH THE SERVING ELECTRIC UTILITY COMPANY. PROVIDE GND BUSHING AT CONDUIT TERMINATION AT UTILITY XFMR, PER ELECTRIC UTILITY CO. REQUIREMENTS.

120/240 VAC, 1 PH, 3W UN-METERED ELECTRIC UTILITY SERVICE FROM EXISTING PAD MOUNT XFMR

30 AMP, 2 POLE WITH SOLID NEUTRAL, 240 VAC HEAVY DUTY FUSIBLE SAFETY SWITCH IN A NEMA 4 STAINLESS STEEL ENCLOSURE UL LISTED SUITABLE FOR SERVICE ENTRANCE, SQUARE D CLASS 3110, CAT. NO. H221DS WITH NEUTRAL KIT & GROUND BAR, OR APPROVED EQUAL. PROVIDE 2-20 AMP UL LISTED CLASS RK5 FUSES AS MANUFACTURED BY BUSSMANN. INCLUDE 2 SPARE FUSES OF SAME SIZE & TYPE. NOTE SAFETY SWITCH LUGS SHALL BE RATED TO ACCEPT #3 AWG CONDUCTORS TO MEET THE SERVING ELECTRIC UTILITY COMPANY'S REQUIREMENTS FOR MINIMUM SIZE SERVICE ENTRANCE CONDUCTORS.



ELECTRICAL ONE LINE DIAGRAM FOR WINDCONES (TYP. FOR 2)

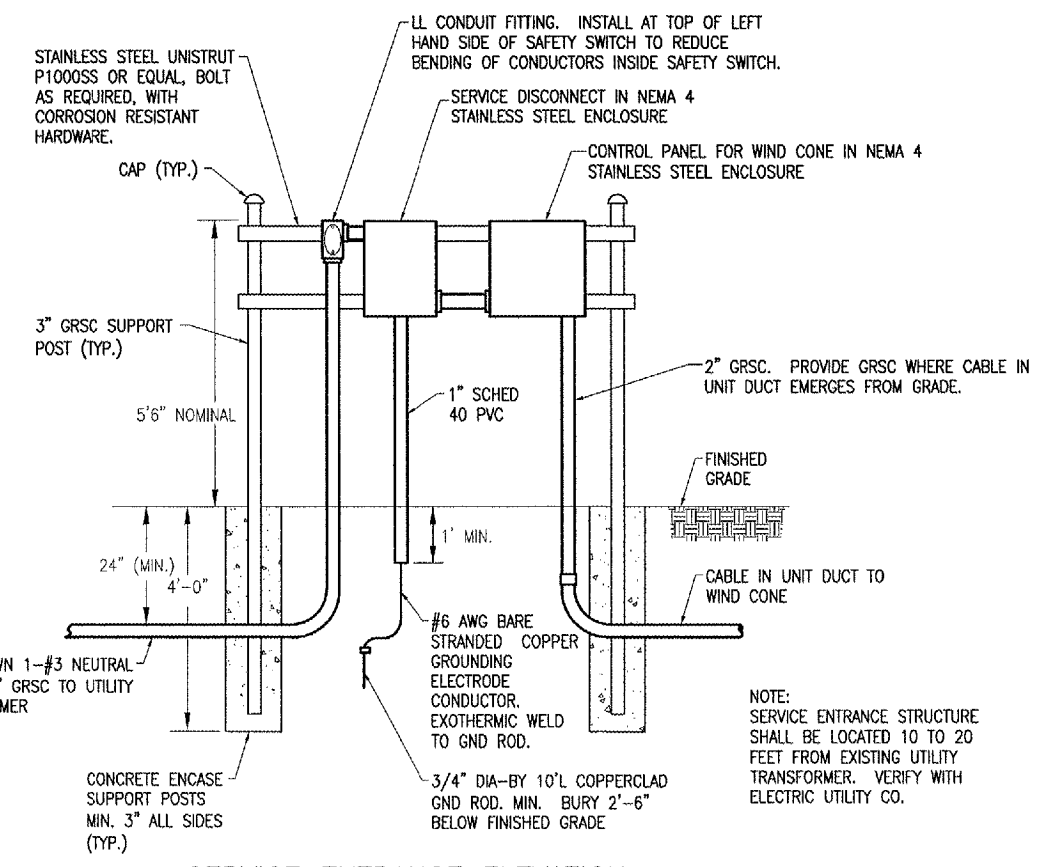


SERVICE ENTRANCE CONCRETE PAD DETAIL

SCALE 3/4"=1'-0"
1 0 1 2 FEET

NOTES:

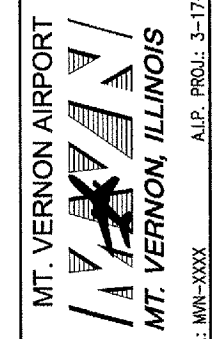
- WIRE MESH SHALL NOT BE PLACED CLOSER THAN 2 INCHES FROM A PAD EDGE. CONCRETE WILL BE PLACED IN ACCORDANCE TO ITEM 610.
- 2 CONCRETE PADS SHALL BE PROVIDED UNDER BID ALTERNATE NO. 1.
1 CONCRETE PAD SHALL BE PROVIDED UNDER BID ALTERNATE NO. 2.



SERVICE ENTRANCE ELEVATION

NOT TO SCALE

BY	REVISION	DATE



REV. PROJECT NO.	819-05RWD-0800
DATE	12/13/04
DRAWN	MV
REVIEWED	CAH
DATE	01/14/05



REHABILITATE RUNWAY 5-23
ELECTRICAL ONE LINE DIAGRAM FOR WINDCONES (TYPICAL FOR 2)

JAN 31, 2005 11:13 AM BAK I:\AIRPORTS\MTVERNON\819-05RWD\DESIGN\SHEETS\E-604.DWG - Work-FLR