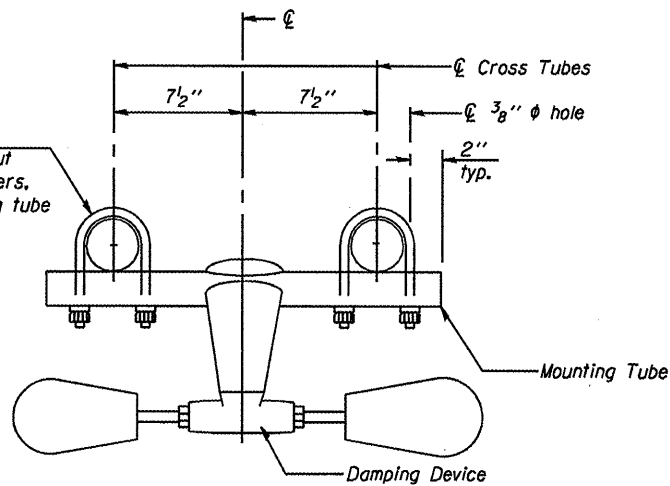
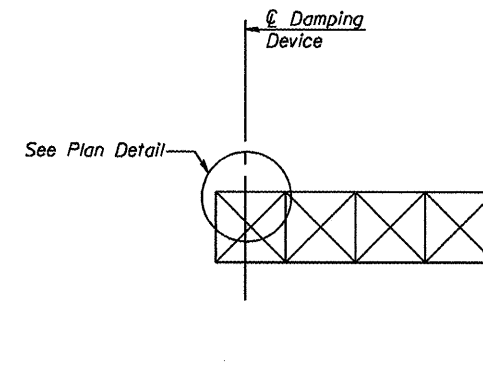


PLAN DETAIL



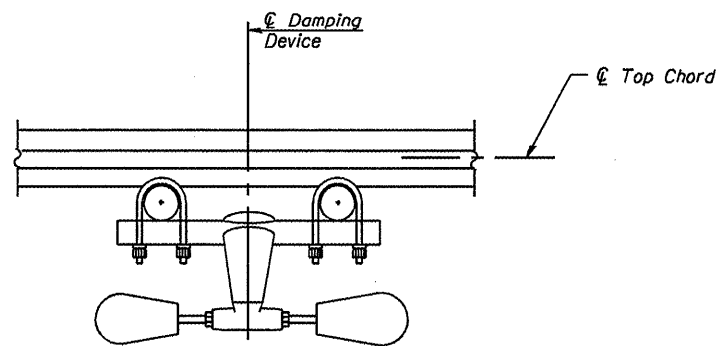
TRUSS DAMPING DEVICE CONNECTION DETAIL



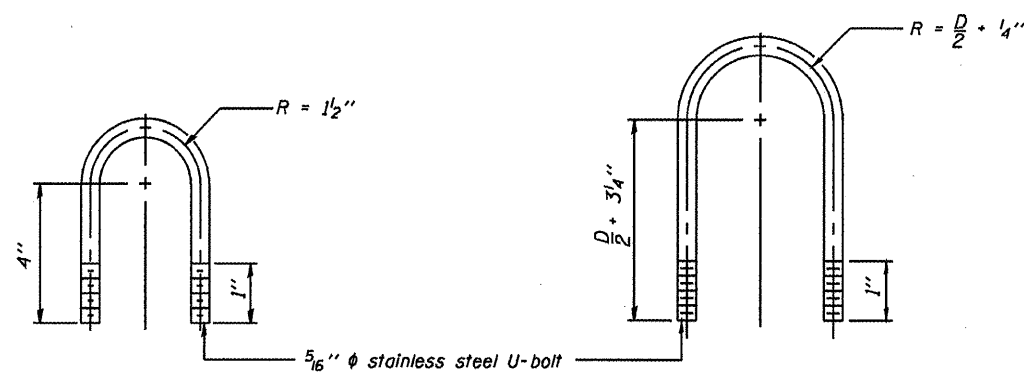
ELEVATION  
Aluminum Cantilever  
Sign Structure

GENERAL NOTES

- Damper: One damper per truss. (31 lbs. Stockbridge-Type Aluminum-29" minimum between ends of weights)
- Materials: Aluminum tubes shall be ASTM B221 alloy 6061 temper T6



SECTION A-A



DAMPING DEVICE MOUNTING  
TUBE U-BOLT DETAIL  
(Typical)

TOP CHORD TO CROSS TUBE  
U-BOLT DETAIL  
(Typical)

OSC-A-D

7-1-10

|              |             |            |          |
|--------------|-------------|------------|----------|
| FILE NAME *  | USER NAME * | DESIGNED - | REVISD - |
|              |             | CHECKED -  | REVISD - |
| PLOT SCALE * |             | DRAWN -    | REVISD - |
| PLOT DATE *  |             | CHECKED -  | REVISD - |

STATE OF ILLINOIS  
DEPARTMENT OF TRANSPORTATION

CANTILEVER SIGN STRUCTURE  
DAMPING DEVICE

|                           |                            |                |              |                    |
|---------------------------|----------------------------|----------------|--------------|--------------------|
| F.A. RTE.                 | SECTION                    | COUNTY         | TOTAL SHEETS | SHEET NO.          |
| Various                   | D-6 OVD SIN STR REPL II-II | Logan/Sangamon | 29           | 20                 |
|                           |                            |                |              | CONTRACT NO. 46134 |
| ILLINOIS FED. AID PROJECT |                            |                |              |                    |