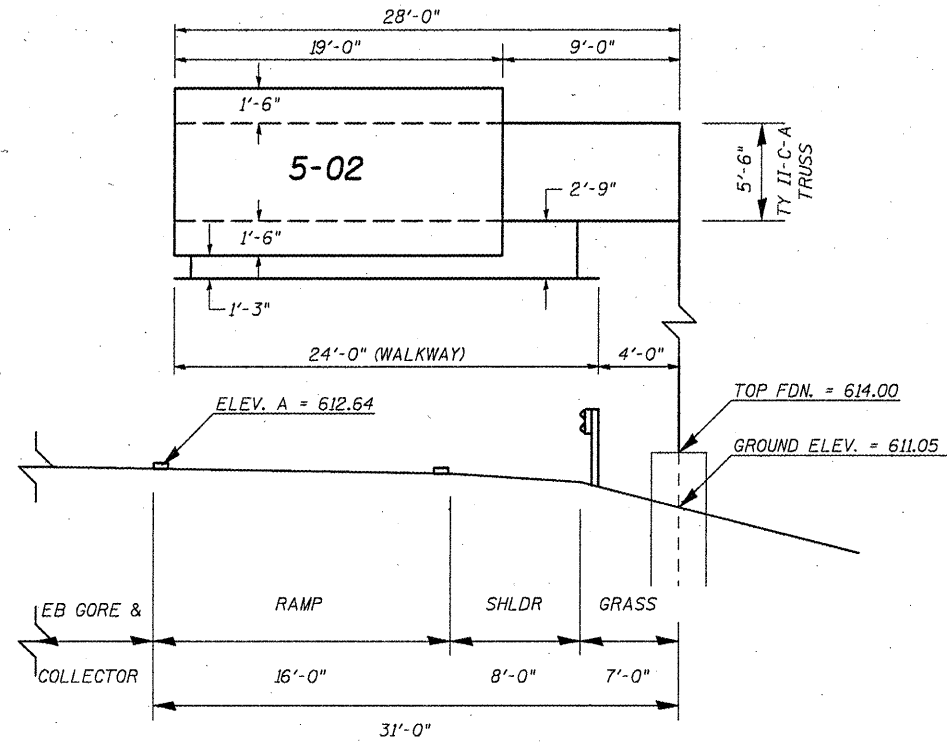


SIGN TRUSS MOUNTING DETAIL

5 C 092 1074 R214.21

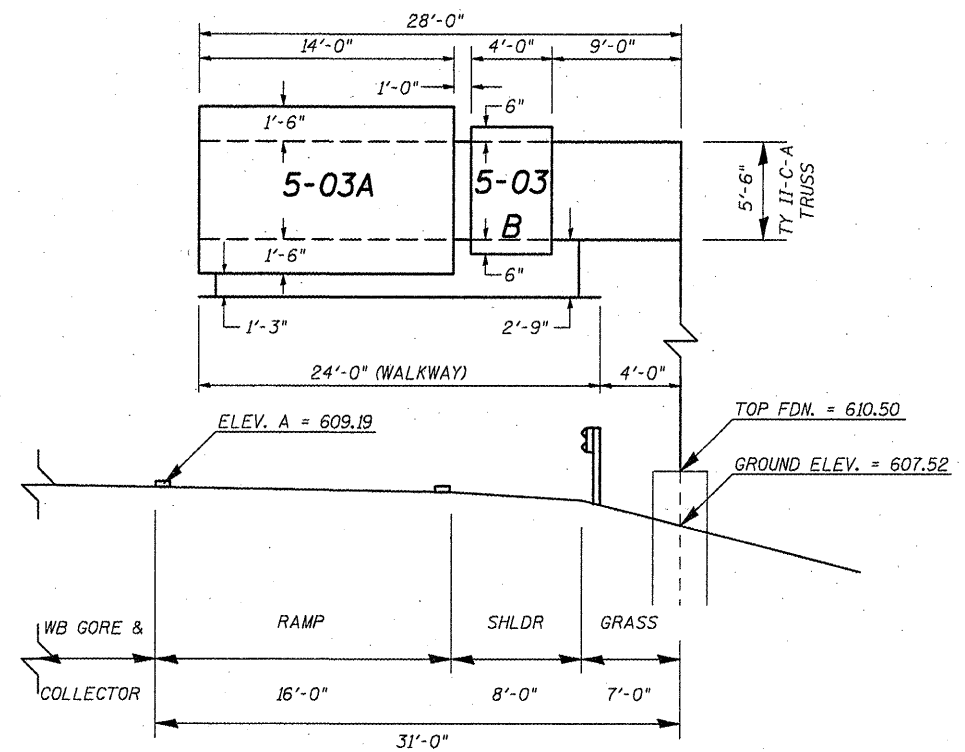


TEMP. BENCHMARK = CHIS. " X " ON NE ANCHOR BOLT = 615.24 (FROM 1972 PLANS)

DRAWING NOT TO SCALE

SIGN TRUSS MOUNTING DETAIL

5 C 092 1074 L214.50

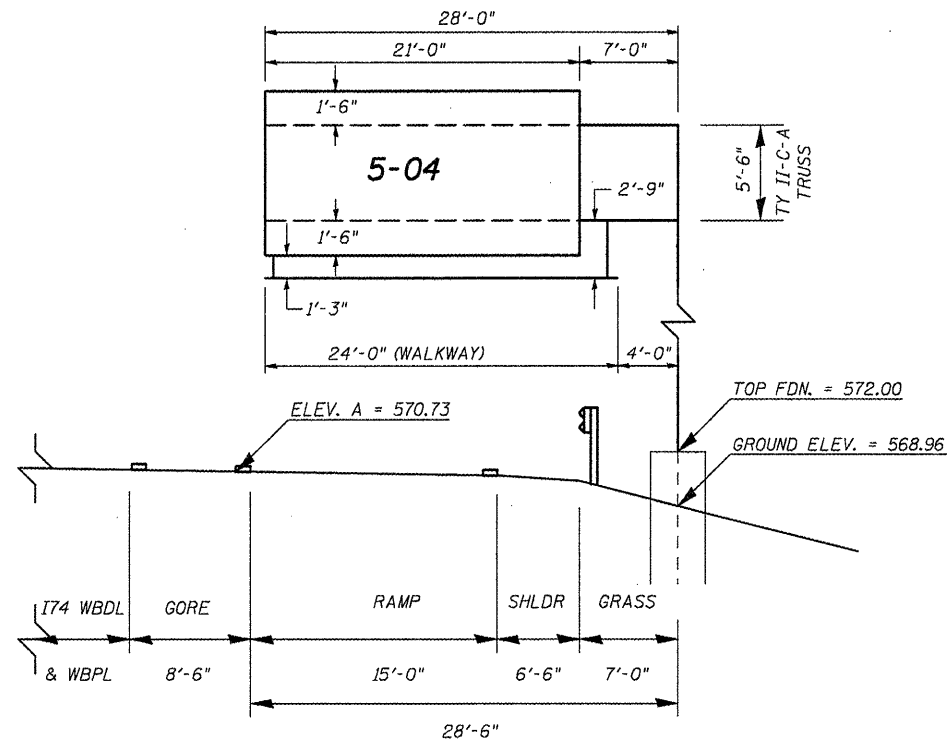


TEMP. BENCHMARK = CHIS. " X " ON SW ANCHOR BOLT = 611.66 (FROM 1972 PLANS)

DRAWING NOT TO SCALE

SIGN TRUSS MOUNTING DETAIL

5 C 092 1074 R215.65



TEMP. BENCHMARK = CHIS. SQUARE ON NE CORNER OF EXISTING FDN. = 569.96 (FROM 1991 PLANS)

DRAWING NOT TO SCALE

FILE NAME =	USER NAME = bucklesjj	DESIGNED - JAL	REVISED -
c:\pwwork\pwwork\bucklesjj\d0241273\056140-shd-details.dgn		DRAWN - BBP	REVISED -
		CHECKED -	REVISED -
		DATE - 09/23/10	REVISED -

**STATE OF ILLINOIS
DEPARTMENT OF TRANSPORTATION**

SIGN TRUSS MOUNTING DETAIL

SCALE: SHEET NO. OF SHEETS STA. TO STA.

F.A.I. RTE.	SECTION	COUNTY	TOTAL SHEETS	SHEET NO.
74		VERMILION	39	7
CONTRACT NO. 46140				
ILLINOIS FED. AID PROJECT				

*D-5 OVD SIN STR REPL 2011-17