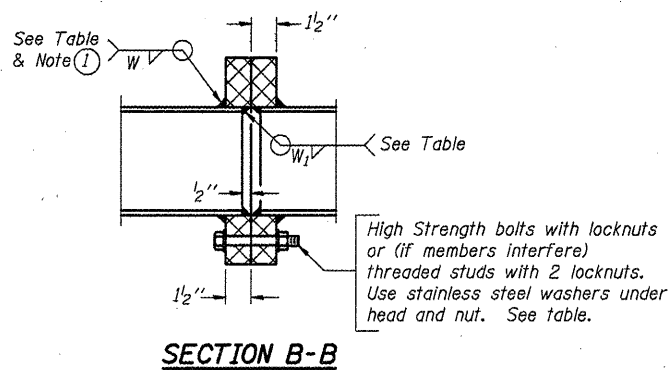
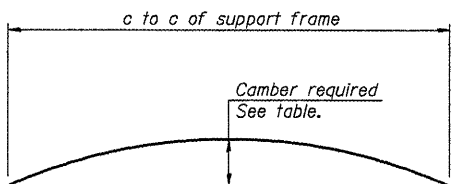
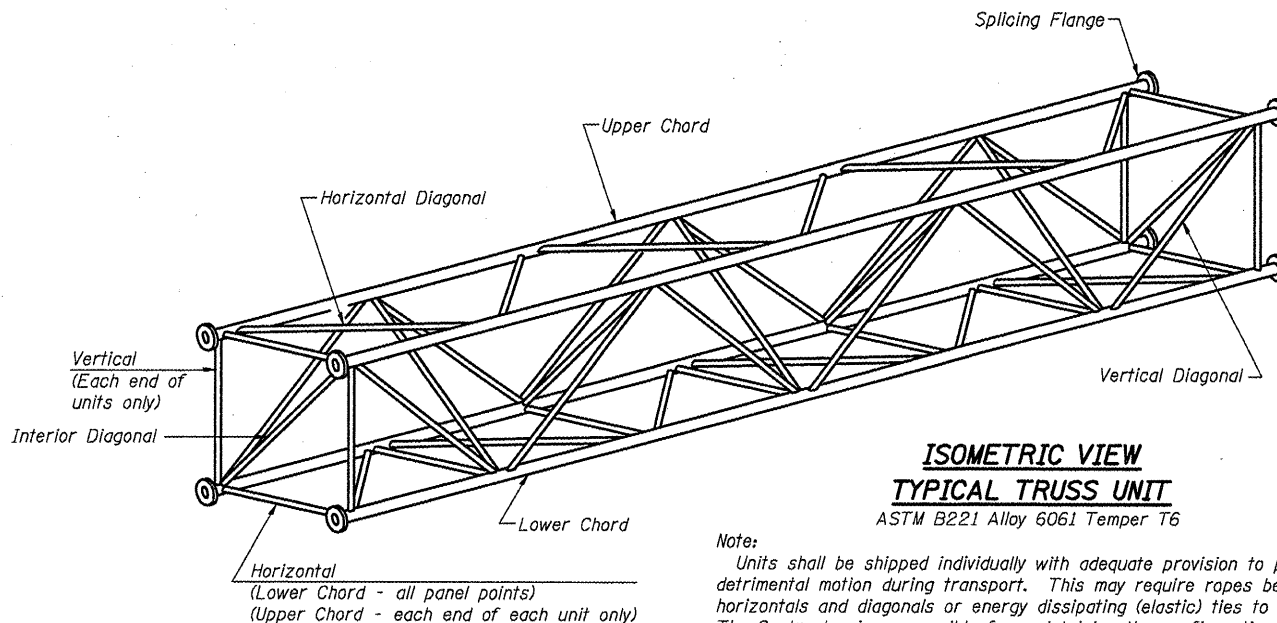


TRUSS UNIT TABLE

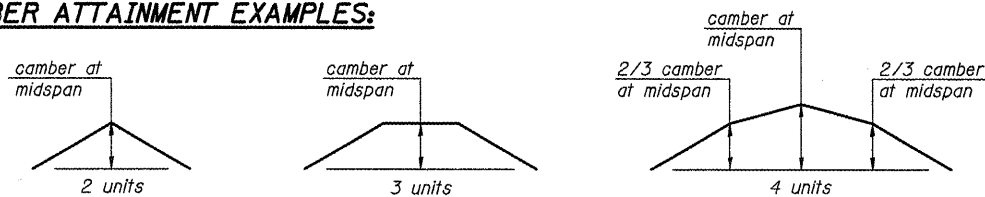
Structure Number	Station	Design Truss Type	Exterior Units (2)			Interior Unit				Upper & Lower Chord		Verticals; Horizontals; Vertical, Horizontal, and Interior Diagonals		Camber at Midspan	Splicing Flange							
			No. Panels per Unit	Unit Lgth.(L _e)	Panel Lgth.(P)	No. Req'd.	No. Panels per Unit	Unit Lgth.(L _i)	Panel Lgth.(P)	O.D.	Wall	O.D.	Wall		Bolts		Weld Sizes		A	B		
															No./Splice	Dia.	W	W _i				
5 S 092 1074 R213.03	1860+02	I-A	7	35'-8 1/2"	4'-10"	—	—	—	—	5"	5/16"	2 1/2"	5/16"	1 3/4"	6	7/8"	5/16"	1/4"	8 3/4"	11 3/4"		



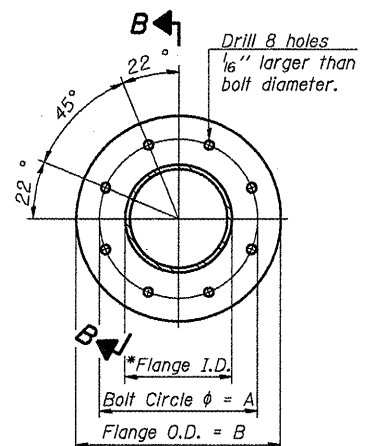
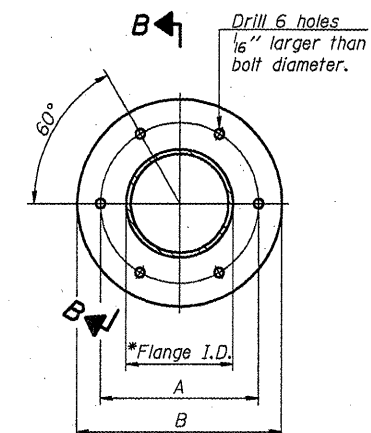
1 Splicing Flanges shall be attached to each truss unit with the truss shop assembled to camber shown. Truss units shall be in proper alignment and flange surfaces shall be shop bolted into full contact before welding. Sufficient external welds or tacks shall be made to secure flanges until remaining welds are made after disassembly. Adjacent flanges shall be "match marked" to insure proper field assembly.



CAMBER ATTAINMENT EXAMPLES:



Camber shown is for fabrication only, measured with truss fully supported. (No-load condition)



OS4-A-2

7-1-10

•D-5 OVD SIN STR REPL 2011-17

FILE NAME =	USER NAME = buckles_jj	DESIGNED - JAL	REVISED -	STATE OF ILLINOIS DEPARTMENT OF TRANSPORTATION	OVERHEAD SIGN STRUCTURES - ALUMINUM TRUSS DETAILS FOR TRUSS TYPES I-A, II-A AND III-A	F.A.I. RTE.	SECTION	COUNTY	TOTAL SHEETS	SHEET NO.	
c:\pwork\pwork\bd\bucljes\j\08241273\056140-ahd-details.dgn		DRAWN - BBP	REVISED -			74		VERMILION	39	10	
PLOT SCALE = 40.0000' / IN.		CHECKED -	REVISED -			CONTRACT NO. 46140					
PLOT DATE = 10/28/2010		DATE - 09/23/10	REVISED -			ILLINOIS FED. AID PROJECT					
				SCALE:	SHEET NO. OF SHEETS STA. TO STA.						