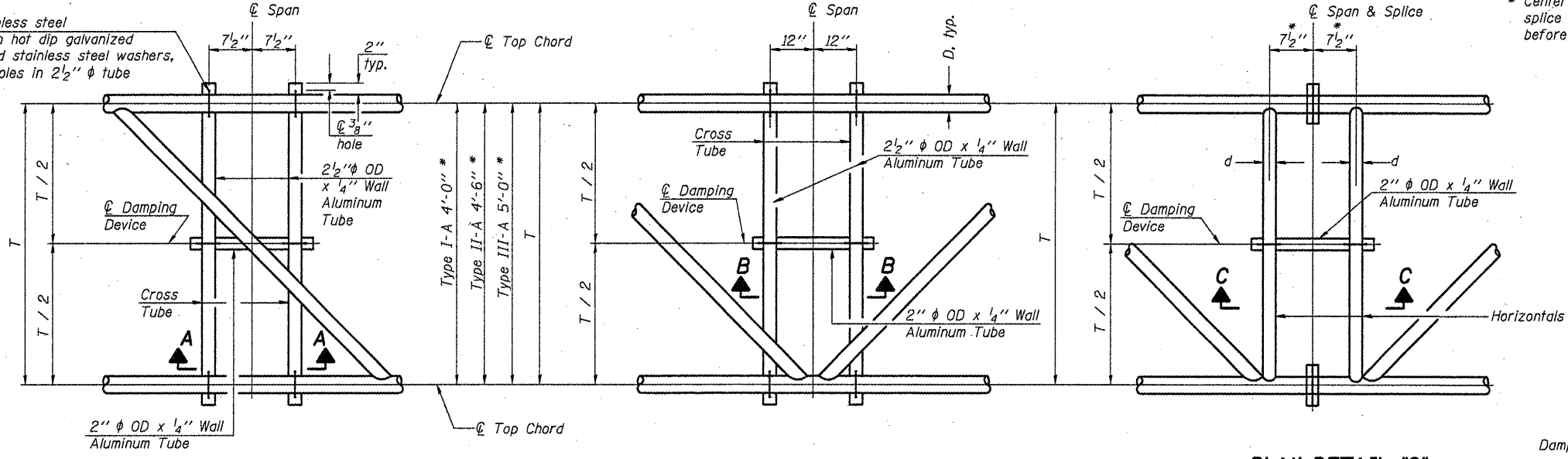


5/16" φ stainless steel  
U-bolt with hot dip galvanized  
locknuts and stainless steel washers,  
typ. 3/8" φ holes in 2 1/2" φ tube



\* Center of horizontal to center of  
splice dimension may vary. Verify  
before drilling holes in mounting tube.

**PLAN DETAIL "A"**  
☉ Span between Panel Points

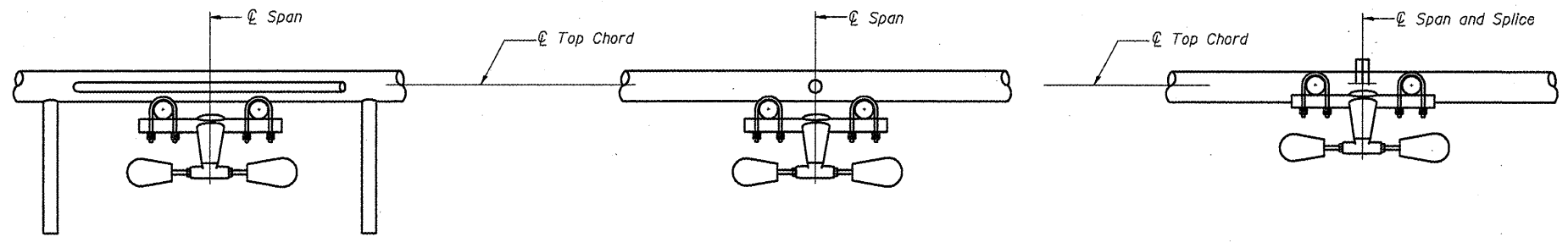
**PLAN DETAIL "B"**  
☉ Span at Panel Point

**PLAN DETAIL "C"**  
☉ Span at ☉ Chord Splice

**NOTES**

Damper: One damper per truss. (31 lbs. minimum Stockbridge-Type Aluminum - 29" minimum between ends of weights) Cost included in Overhead Sign Structure...

Materials: Materials: Aluminum tubes shall be ASTM B221 alloy 6061 temper T6. Cost included in Overhead Sign Structure...

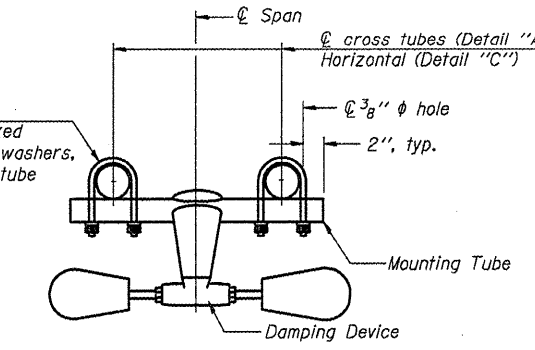


**SECTION A-A**

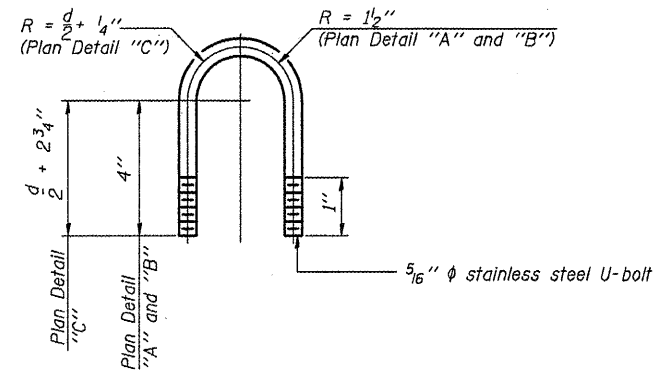
**SECTION B-B**

**SECTION C-C**

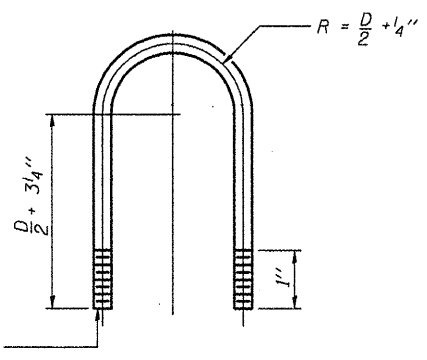
5/16" φ stainless steel  
U-bolt with hot dip galvanized  
locknuts and stainless steel washers,  
typ. 3/8" φ holes in mounting tube



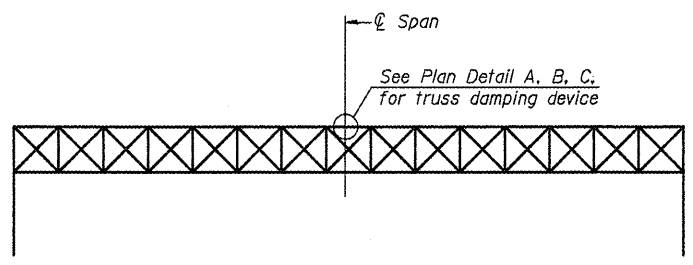
**TRUSS DAMPING  
DEVICE CONNECTION DETAIL**  
(Typical)



**DAMPING DEVICE MOUNTING  
TUBE U-BOLT DETAIL**  
(Typical)



**TOP CHORD TO CROSS TUBE  
U-BOLT DETAIL**  
(Typical - Detail "A" and "B")



**ELEVATION**  
Aluminum Overhead  
Sign Truss

OS-A-D 7-1-10

\*0-5 OVD SIN STR REPL 2011-17

FILE NAME =	USER NAME = buckles_j	DESIGNED - JAL	REVISED -
c:\pw_work\pwidot\buckles_j\d0241273\056140-shd-details.dgn		DRAWN - BBP	REVISED -
PLOT SCALE = 40.0000 / IN.		CHECKED -	REVISED -
PLOT DATE = 10/28/2010		DATE - 09/23/10	REVISED -

STATE OF ILLINOIS  
DEPARTMENT OF TRANSPORTATION

OVERHEAD SIGN STRUCTURE  
DAMPING DEVICE

SCALE: SHEET NO. OF SHEETS STA. TO STA.

F.A.I. RTE.	SECTION	COUNTY	TOTAL SHEETS	SHEET NO.
74	*	VERMILION	39	11
CONTRACT NO. 46140			ILLINOIS FED. AID PROJECT	