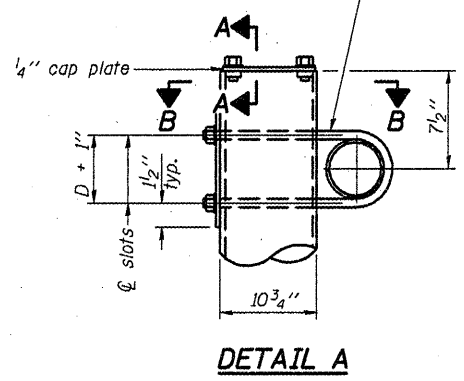
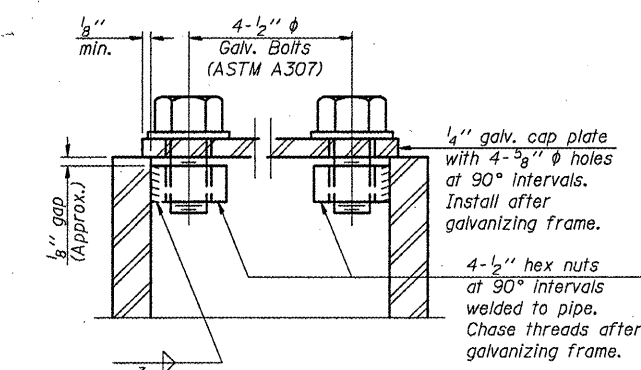


3/4"  $\phi$  stainless steel U-bolt.  
Provide two washers and two hexagon locknuts. (4)  
1 5/16" x 2" slots on  $\phi$  10"  $\phi$  pipe.  
(4 slots required per pipe)

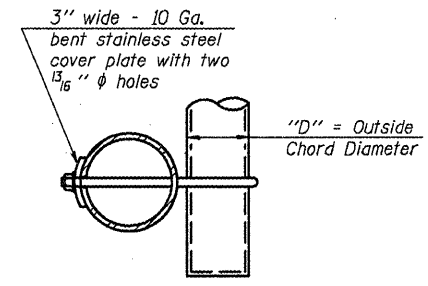


**DETAIL A**

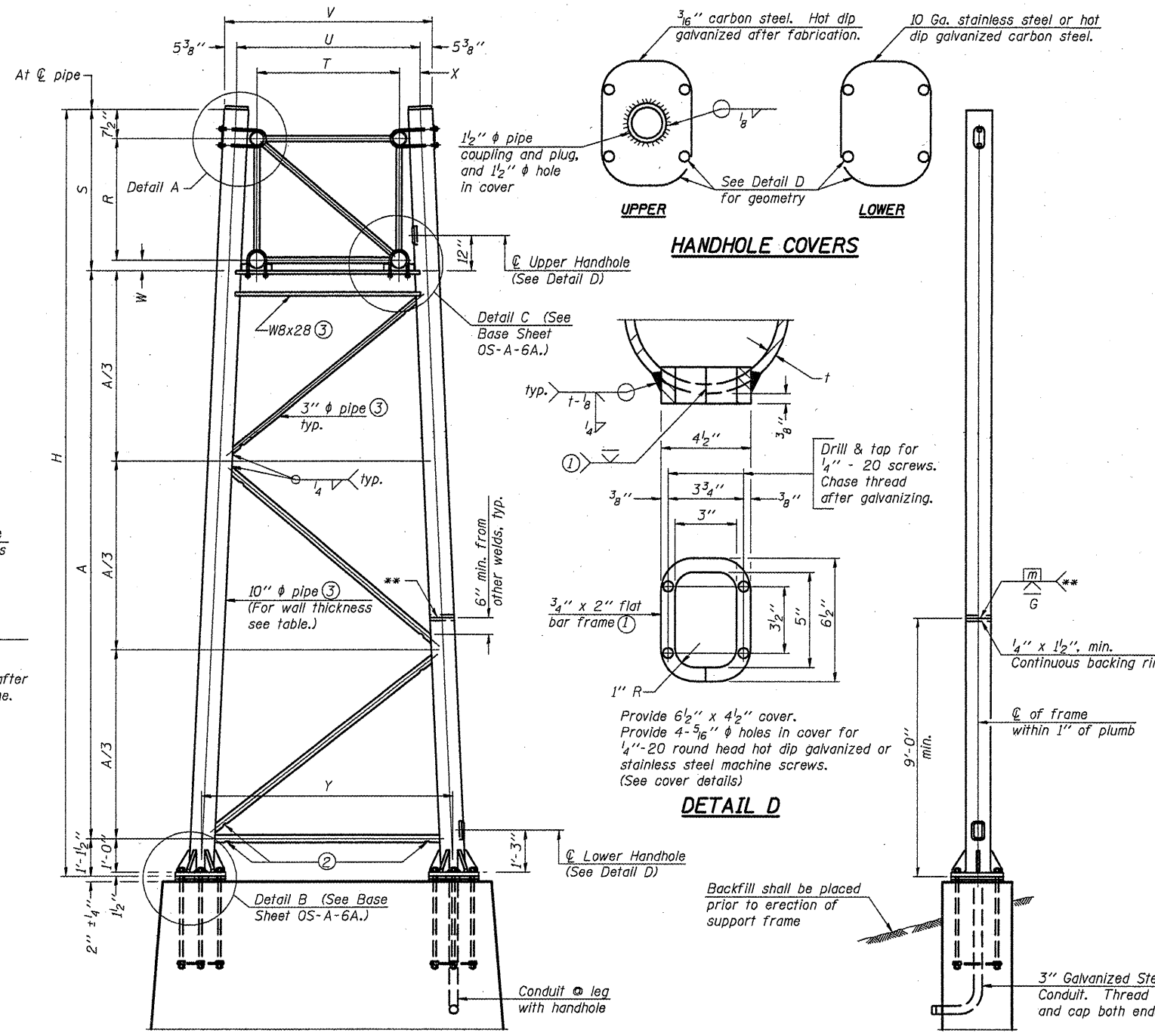


**SECTION A-A**

As an alternate to bolts, may use galvanized drive-fit caps installed after galvanizing frame.



**SECTION B-B**



For Foundation Details, see base sheet OS-F3 (Spread Footing) or OS4-F3 (Drilled Shaft).

**SIDE ELEVATION**

Truss Type	Dimensions							
	R	S	T	U	V	W	X	Y
I-A	4'-6"	5'-5 1/2"	4'-0"	5'-6"	6'-4 3/4"	4"	9"	8'-3"
II-A (5)	5'-3"	6'-3 1/4"	4'-6"	6'-1"	6'-11 3/4"	4 3/4"	9 1/2"	8'-3"

**10"  $\phi$  PIPE TRUSS SUPPORT FRAME**

\*\* One butt welded joint is allowed only on one post per support frame. If used, weld procedure must be pre-approved by Engineer and joint shall receive 100% RT or UT (tension criteria) at Contractor's expense.

Support Design Loads: See Base Sheet OS-A-1 for design and loading criteria.  
Load combinations checked include deadload plus:  
a) 100% wind normal to sign, 20% parallel to sign  
b) 60% wind normal to sign, 30% parallel to sign

- In lieu of fabricated handhole frame as shown, may cut from 2" plate (rolling direction vertical). All cut faces to be ground to ANSI Roughness of 500 min or less.
- Galvanizing vent holes of adequate size shall be provided on underside at each end of bracing pipes. Alternately, holes may be provided in wall of pipe column. All vent holes shall be drilled and de-burred, typ.
- Steel pipe, plate, carbon steel handhole covers and rolled sections shall be hot dip galvanized after fabrication. Painting is not permitted. See Base Sheet OS-A-1.
- See General Notes for fasteners.
- Dimensions shown are based on selection criteria in the Sign Structures Manual. Nonstandard applications must have dimensions verified or amended as appropriate.
- "H" based on 15'-0" or actual sign height, whichever is greater.

**END ELEVATION**

Structure Number	Station	Support		Truss Type	Pipe Wall Thickness	H (6)	A
		Left	Right				
5 S 092 1074 R213.03	1860+02	X		I-A	0.279	28'-7"	22'-0"
			X	I-A	0.279	29'-7"	23'-0"

\*D-5 OVD SIN STR REPL 2011-17

OS-A-6

7-1-10

FILE NAME =	USER NAME = bucklesjj	DESIGNED - JAL	REVISED -
ca:\pwr\work\p\sidot\bucklesjj\d0241273\056148-shd-detail1a.dgn		DRAWN - BBP	REVISED -
PLOT SCALE = 48.00000 / IN.		CHECKED -	REVISED -
PLOT DATE = 10/28/2010		DATE - 09/23/10	REVISED -

STATE OF ILLINOIS  
DEPARTMENT OF TRANSPORTATION

OVERHEAD SIGN STRUCTURES  
SUPPORT FRAME FOR ALUMINUM TRUSS

F.A.T. RTE. 74	SECTION	COUNTY	TOTAL SHEETS	SHEET NO.
		VERMILION	39	12
CONTRACT NO. 46140			ILLINOIS FED. AID PROJECT	

SCALE: SHEET NO. OF SHEETS STA. TO STA.