

TYPICAL TRUSS UNIT
(Sign and walkway omitted for clarity)

Note: For Section B-B and Section C-C, see Base Sheet OSC-A-3.

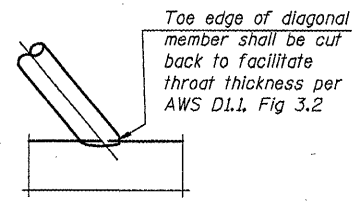
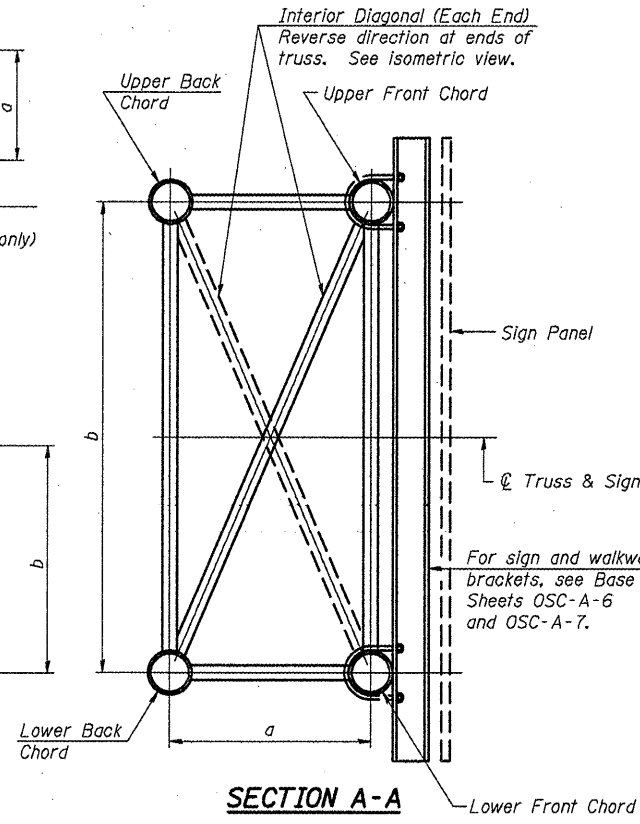
There are twice as many horizontal diagonals as there are vertical diagonals.

TRUSS UNIT TABLE

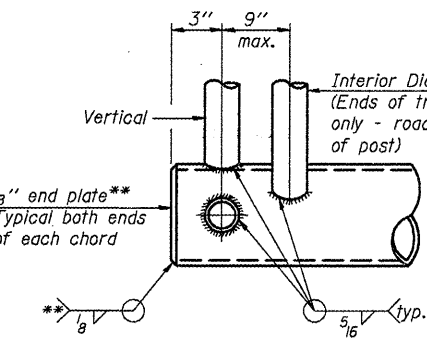
Truss Type	Dimension "a"	Dimension "b"	Dimension "s"	Limits for Panel Spacing (P)*	Up. & Low. Chord			Verticals, Horizontals, Vertical Diagonals
					O.D.	Wall	O.D.	
I-C-A	24"	54"	16"	36" min. to 48" max.	5"	5/16"	2 1/2"	5/16"
II-C-A	36"	66"	21"	42" min. to 54" max.	6 1/2"	5/16"	3 1/4"	5/16"
III-C-A (35' Max.)	36"	84"	21"	48" min. to 66" max.	7"	3/8"	3 1/2"	3/8"
III-C-A (>35' to 40')	36"	84"	21"	48" min. to 66" max.	8"	3/8"	3 1/2"	3/8"

$$*P = \frac{L - s - 3"}{\# \text{ Panels}}$$

Structure Number	Station	Truss Type	Design Length (L)	Number of Panels Per Unit	Panel Length (P)*
5 C 092 1074 R214.21	1922+15	II-C-A	28'-0"	6	4'-4"
5 C 092 1074 L214.50	1937+05	II-C-A	28'-0"	6	4'-4"
5 C 092 1074 R215.65	1996+55	II-C-A	28'-0"	6	4'-4"

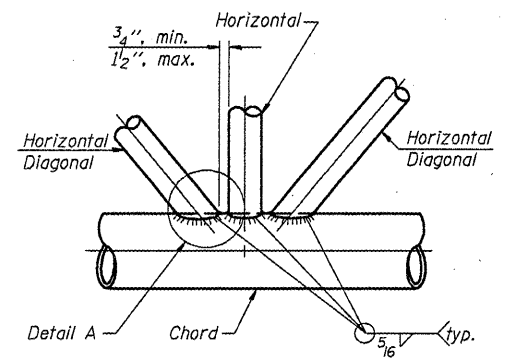


DETAIL A

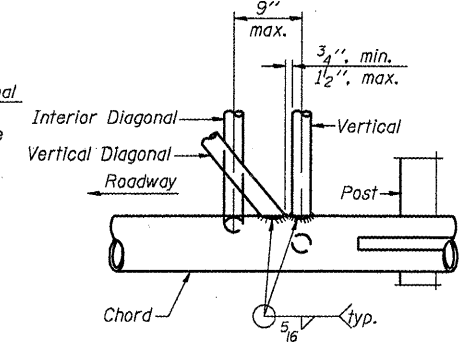


CANTILEVER END JOINT DETAIL

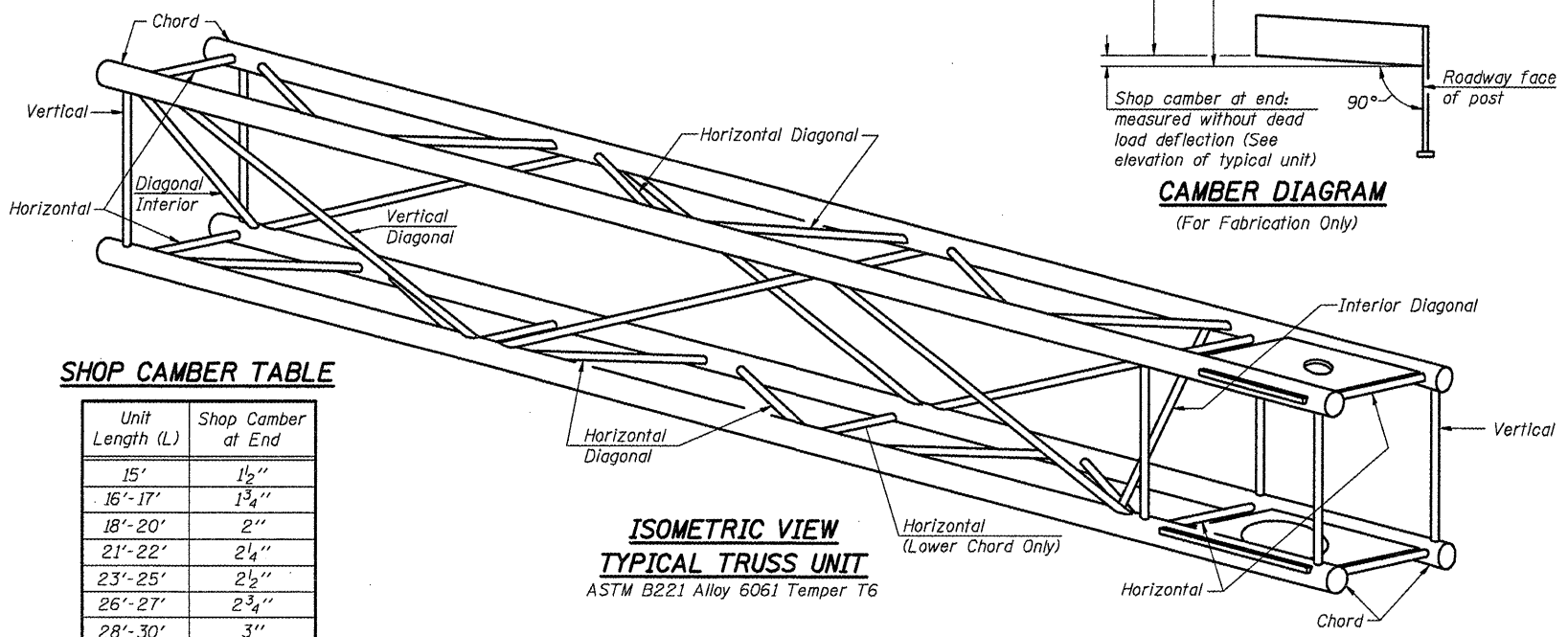
** Contractor may alternatively use standard aluminum drive-fit cap to close ends.



TRUSS INTERIOR JOINT DETAIL



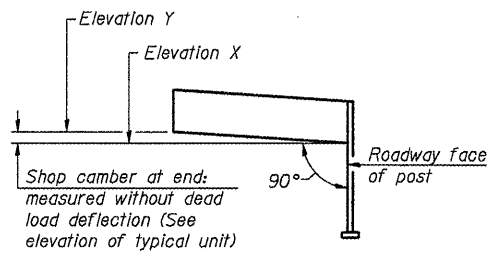
POST END JOINT DETAIL



ISOMETRIC VIEW TYPICAL TRUSS UNIT
ASTM B221 Alloy 6061 Temper T6

SHOP CAMBER TABLE

Unit Length (L)	Shop Camber at End
15'	1 1/2"
16'-17'	1 3/4"
18'-20'	2"
21'-22'	2 1/4"
23'-25'	2 1/2"
26'-27'	2 3/4"
28'-30'	3"
31'-32'	3 1/4"
33'-35'	3 1/2"
36'-37'	4"
38'-40'	4 1/2"



CAMBER DIAGRAM
(For Fabrication Only)

OSC-A-2

7-1-10

*D-5 OVD SIN STR REPL 2011-17

FILE NAME =	USER NAME = buckles.jj	DESIGNED - JAL	REVISED -
		DRAWN - BBP	REVISED -
		CHECKED -	REVISED -
		DATE - 09/23/10	REVISED -

STATE OF ILLINOIS
DEPARTMENT OF TRANSPORTATION

CANTILEVER SIGN STRUCTURES - TRUSS DETAILS
ALUMINUM TRUSS & STEEL POST

SCALE: SHEET NO. OF SHEETS STA. TO STA.

F.A.T. RTE.	SECTION	COUNTY	TOTAL SHEETS	SHEET NO.
74	*	VERMILION	39	19
CONTRACT NO. 46140			ILLINOIS FED. AID PROJECT	