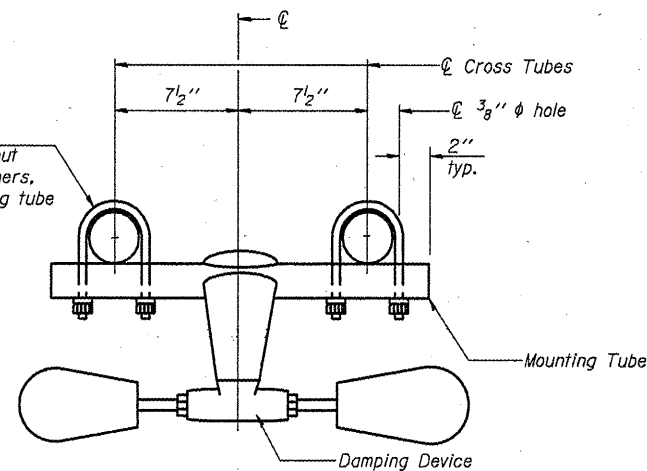
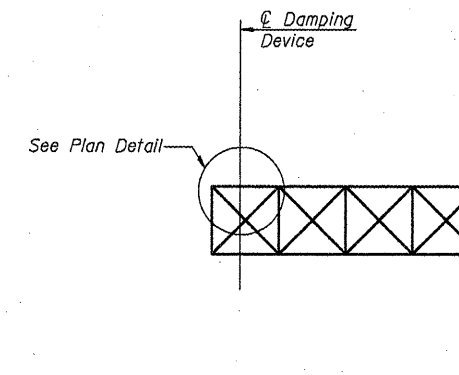


**PLAN DETAIL**



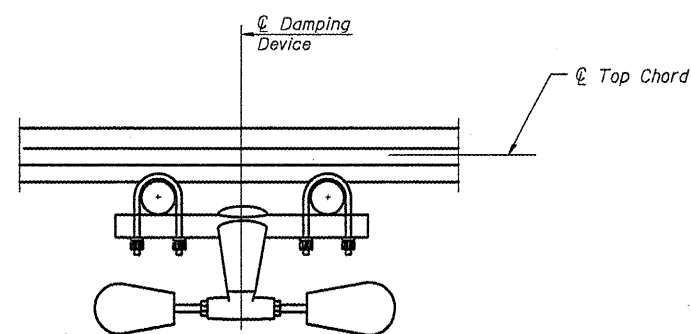
**TRUSS DAMPING DEVICE CONNECTION DETAIL**



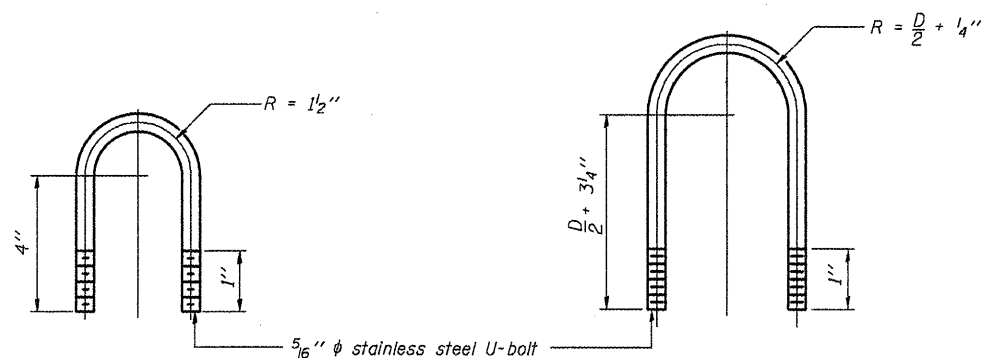
**ELEVATION**  
Aluminum Cantilever Sign Structure

**GENERAL NOTES**

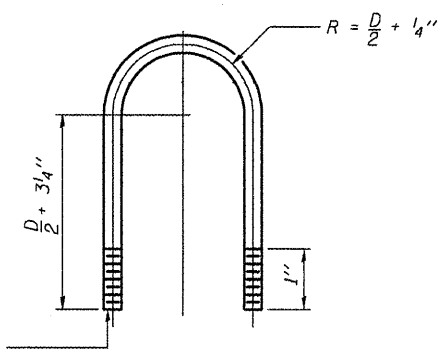
- Damper: One damper per truss. (31 lbs. Stockbridge-Type Aluminum-29" minimum between ends of weights)
- Materials: Aluminum tubes shall be ASTM B221 alloy 6061 temper T6



**SECTION A-A**



**DAMPING DEVICE MOUNTING TUBE U-BOLT DETAIL**  
(Typical)



**TOP CHORD TO CROSS TUBE U-BOLT DETAIL**  
(Typical)

OSC-A-D

7-J-10

\*D-5 OVD SIN STR REPL 2011-17

FILE NAME =	USER NAME = bucklesjj	DESIGNED - JAL	REVISED -
ct:\pw\work\pwidot\bucklesjj\d0241273\056140-ahc-details.dgn		DRAWN - BBP	REVISED -
PLOT SCALE = 48.0000' / IN.		CHECKED -	REVISED -
PLOT DATE = 10/29/2010		DATE - 09/23/10	REVISED -

**STATE OF ILLINOIS  
DEPARTMENT OF TRANSPORTATION**

**CANTILEVER SIGN STRUCTURE  
DAMPING DEVICE**

SCALE: SHEET NO. OF SHEETS STA. TO STA.

F.A.I. RTE.	SECTION	COUNTY	TOTAL SHEETS	SHEET NO.
74		VERMILION	39	20
CONTRACT NO. 46140			ILLINOIS FED. AID PROJECT	