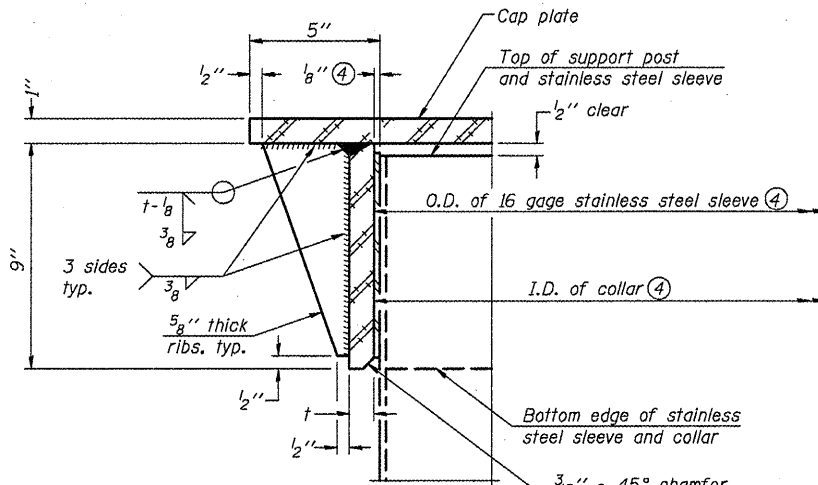


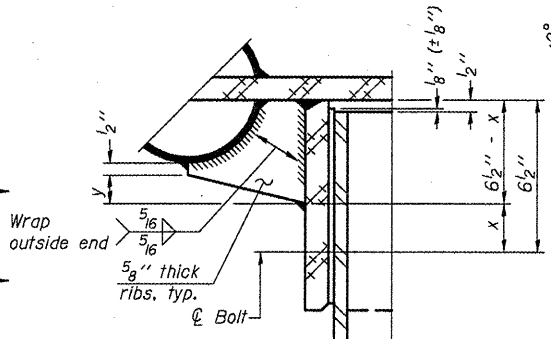
④ Collar I.D. shall be manufactured to correspond to O.D. of actual galvanized post and stainless steel sleeve plus  $\frac{1}{8}$ " ( $\pm \frac{1}{16}$ "). Maximum gap between post and collar at any location equals  $\frac{1}{8}$ " before tightening bolts.

**SECTION B-B**

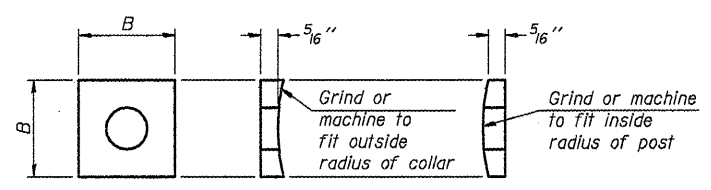
Bolts, washers (including contoured washers), and locknuts shall be stainless steel.



**DETAIL A**  
(Two locations)

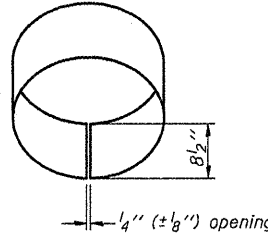


**DETAIL B**  
Two locations  
(For details not shown, see Detail C)



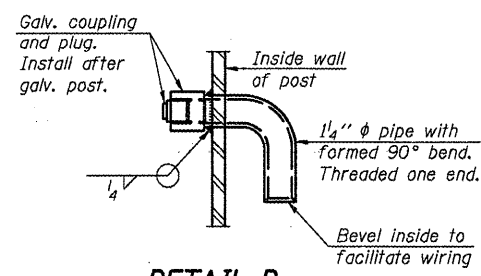
**CONTOURED WASHERS**

Bolt Size	Contoured Washers	
	Hole Dia.	B
7/8"	1"	2 1/2"
1"	1 1/8"	3"
1 1/4"	1 3/8"	3 1/4"

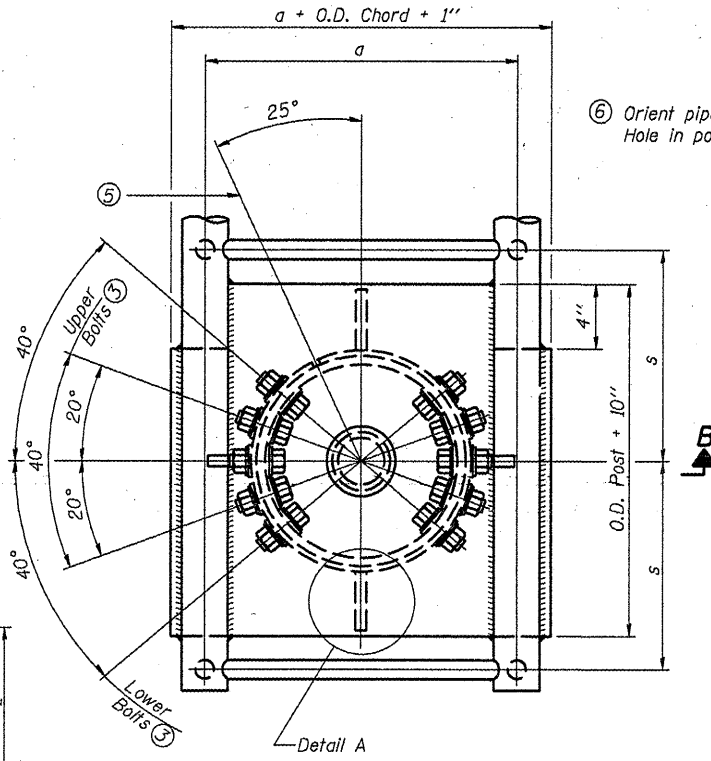


**DETAIL OF STAINLESS STEEL SLEEVE**

Weld to post after galvanizing. (Prepare post surface to insure tight, uniform fit and allow welding.) Welds to be 1/2" long at 6" cts. along top edge and at 1/4" opening.

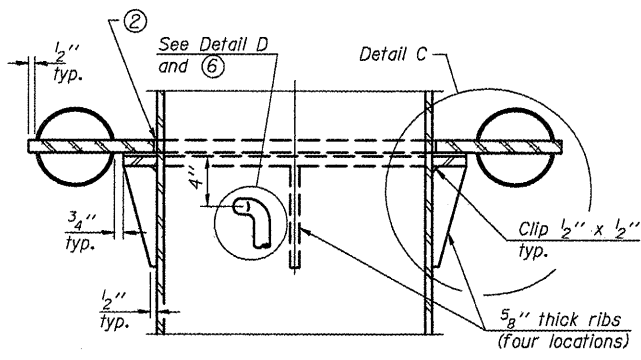


**DETAIL D**

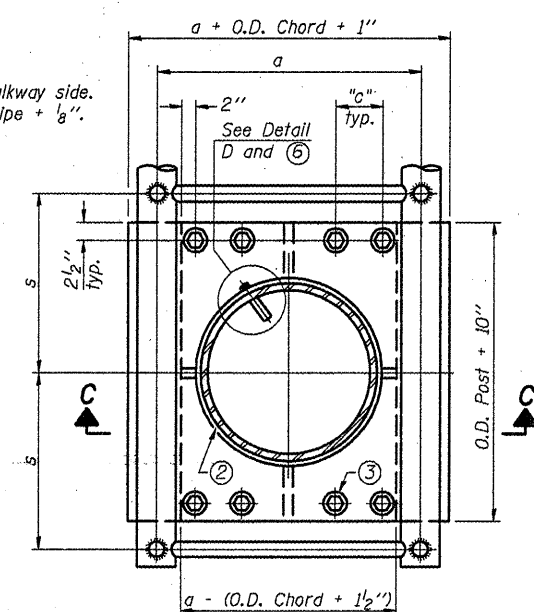


**PLAN VIEW - TOP OF COLUMN**

⑤ Optional full penetration weld in collar. (Two locations maximum....180° apart....X-ray or UT 100%)

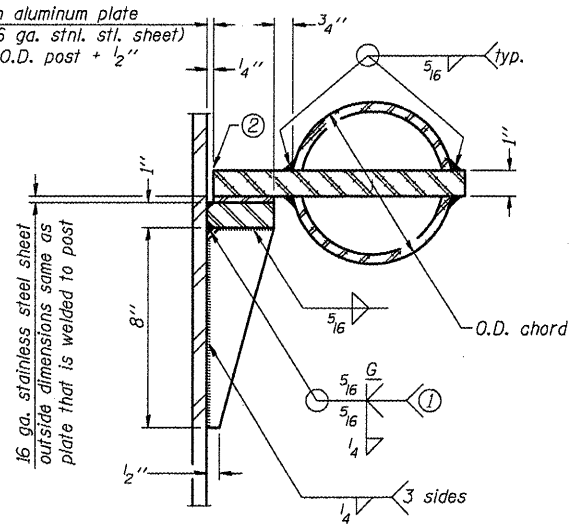


**SECTION C-C**



**SECTION THRU POST ABOVE LOWER CHORDS**

Hole in aluminum plate (and 16 ga. stnl. stl. sheet) to be O.D. post + 1/2"



**DETAIL C**

- ① Grind top if required to fully seat aluminum plate and stainless steel sheet.
- ② After tightening lower connection bolts, fill gap with non-hardening, silicone caulk suitable for exterior exposure and acceptable to the Engineer. Cost is included in Overhead Sign Structure Cantilever.
- ③ Upper and lower connection bolts in collar and bolts at lower chord connection shall be high strength with matching locknuts. Connection bolts shall have 2 stainless steel flat washers each.

Truss Type	Post Size	Upper & Lower Connection Bolt Diameter ③	Lower Juncture Bolt Spacing Dimension "c" ③	Opening in Cap Plate "HH"	Collar Thickness (t)	Side Ribs	
						x	y
I-C-A	16" phi (83#1/')	7/8"	3 1/4"	8"	5/8"	1 3/4"	2 1/4"
II-C-A	24" phi (125#1/')	1"	3 1/2"	12"	7/8"	2"	1 1/4"
III-C-A (35' max.)	24" phi (125#1/')	1 1/4"	3 1/2"	12"	7/8"	2"	1"
III-C-A (>35' to 40')	24" phi (171#1/')	1 1/4"	3 1/2"	12"	7/8"	2"	1"

OSC-A-3

7-1-10

\*D-5 OVD SIN STR REPL 2011-17

FILE NAME =	USER NAME = bucklesJJ	DESIGNED - JAL	REVISED -
ca:\pwork\pwork\bucklesJJ\d0241273\056140-ahc-detail.dgn		DRAWN - BBP	REVISED -
PLOT SCALE = 40.0000 / IN.		CHECKED -	REVISED -
PLOT DATE = 10/29/2010		DATE - 09/23/10	REVISED -

STATE OF ILLINOIS  
DEPARTMENT OF TRANSPORTATION

CANTILEVER SIGN STRUCTURES - JUNCTURE DETAILS  
ALUMINUM TRUSS & STEEL POST

SCALE: SHEET NO. OF SHEETS STA. TO STA.

F.A.I. RTE.	SECTION	COUNTY	TOTAL SHEETS	SHEET NO.
74		VERMILION	39	21
ILLINOIS FED. AID PROJECT			CONTRACT NO. 46140	