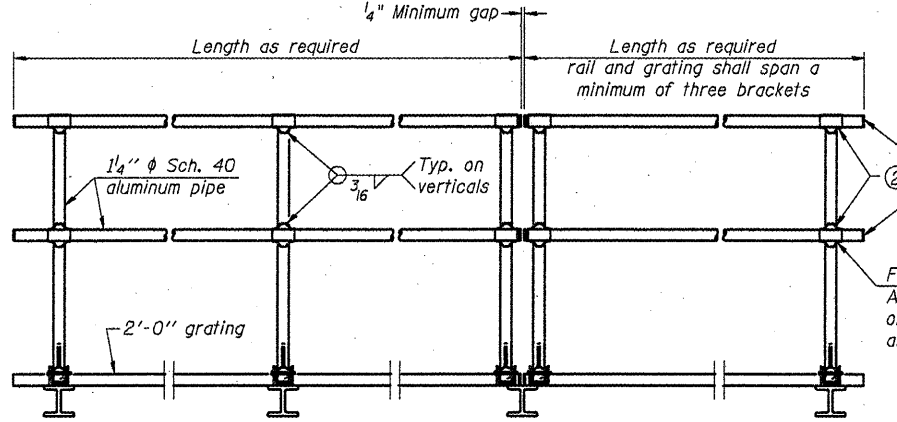


SIDE ELEVATION

(Showing Safety Chain W/O Sign)

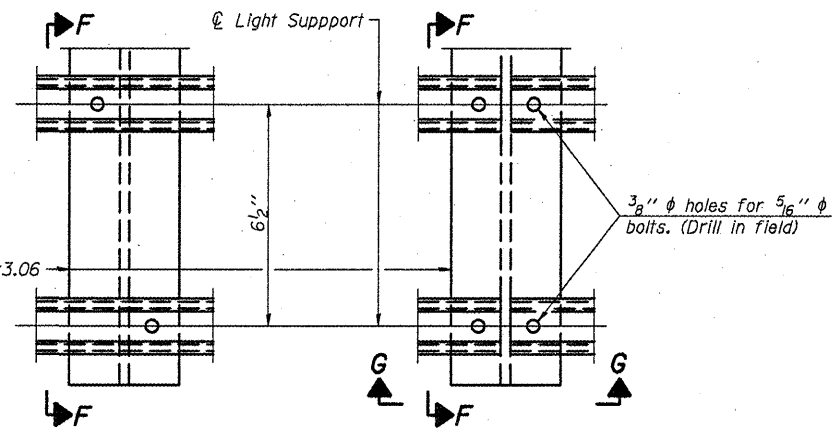


FRONT ELEVATION

HANDRAIL DETAILS

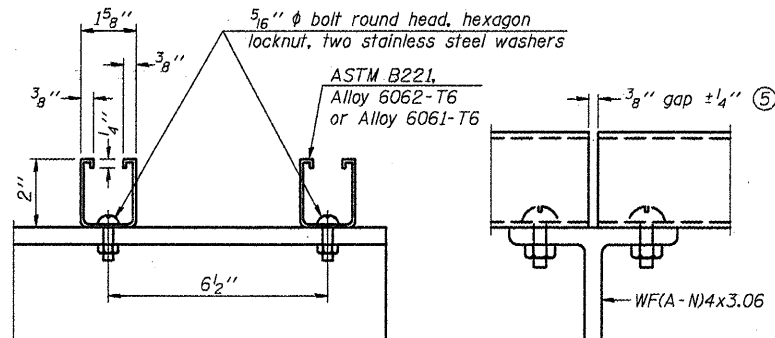
Handrail pipe shall be ASTM B241 or B429, Alloy 6063-T6 or Alloy 6061-T6.

- ① Install standard force-fit end caps or weld 1/2" end plates with 1/8" c.f.w. and grind smooth. (All rail ends)
- ② Horizontal handrail member shall be continuous thru fitting. Provide 7/16" hole in fitting for 3/8" bolt. Field drill 7/16" hole in horizontal rail member. Provide locknut and two stainless steel washers for bolt. (Use 5/16" eyebolts in 7/16" holes on top rail at ends only.)



DETAIL F

DETAIL G

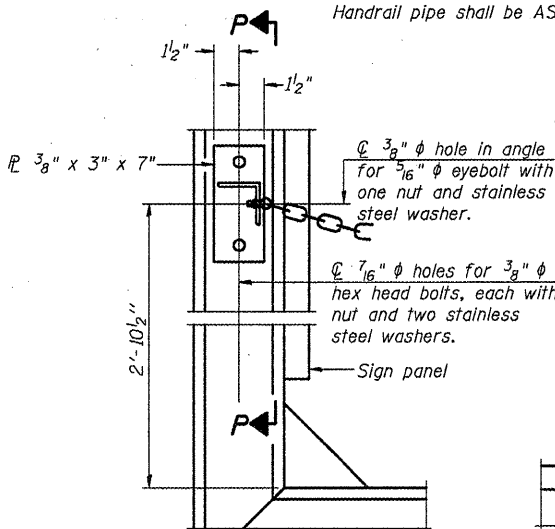


SECTION F-F

SECTION G-G

LIGHTING FIXTURE MOUNTS (IF REQUIRED)

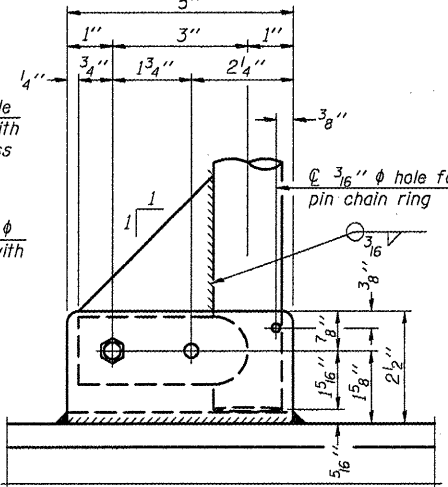
- ⑤ Field cut ends of light support channels shall be free of burrs or hazardous projections and coated with zinc-rich primer or equivalent.



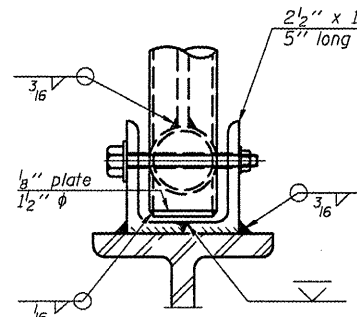
ALTERNATE SAFETY CHAIN ATTACHMENT

(With Sign Present)

Items not shown same as "Side Elevation" of "Handrail Details"

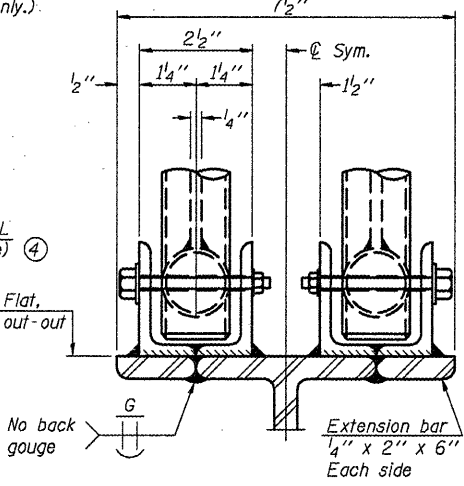


SIDE ELEVATION



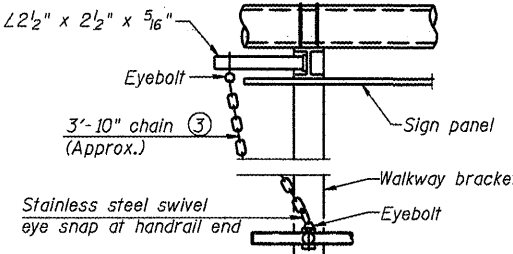
FRONT ELEVATION

Details not shown same as "ELEVATION" at right.



ELEVATION AT HANDRAIL JOINT ④

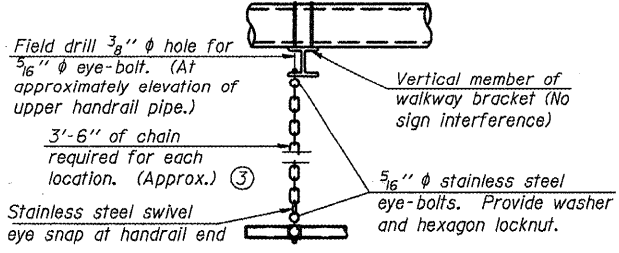
Details not shown same as "FRONT ELEVATION"



ALTERNATE SAFETY CHAIN ATTACHMENT

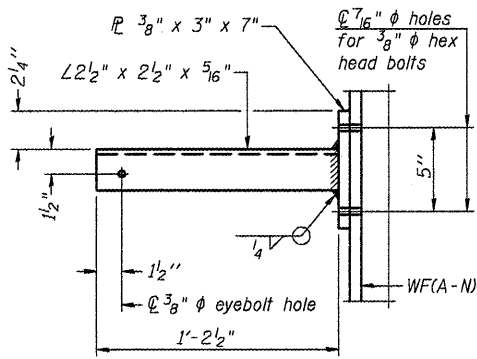
Details not shown similar to "Safety Chain" Details (Walkway omitted for clarity)

- ③ 3/16" Type 304L stainless steel chain, approximately 12 links per foot.
- ④ Extrusions may be used in lieu of the details shown, with approval of the Engineer.

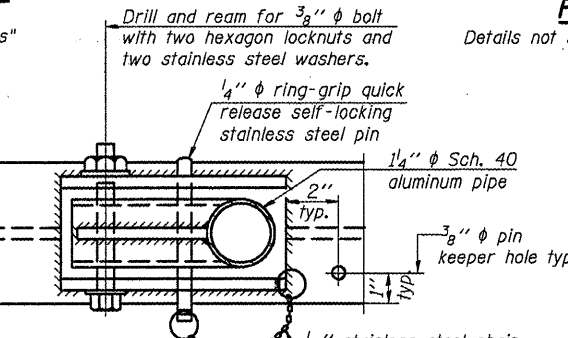


SAFETY CHAIN

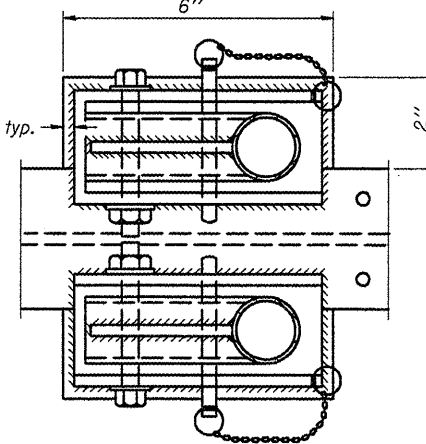
One required for each end of each walkway.



SECTION P-P



**PLAN
DETAIL E HANDRAIL HINGE**



PLAN AT HANDRAIL JOINT

Details not shown same as "PLAN"

OSC-A-8

7-1-10

*D-5 OVD SIN STR REPL 2011-17

FILE NAME =	USER NAME = bucklesJJ	DESIGNED - JAL	REVISED -
ca:\pwr\work\pwr\dtd\bucklesJJ\d0241273\056140-sht-details.dgn	6140-sht-details.dgn	DRAWN - BBP	REVISED -
PLOT SCALE = 48,0000' / IN.		CHECKED -	REVISED -
PLOT DATE = 10/29/2010		DATE - 09/23/10	REVISED -

STATE OF ILLINOIS
DEPARTMENT OF TRANSPORTATION

CANTILEVER SIGN STRUCTURES - HANDRAIL DETAILS
ALUMINUM TRUSS & STEEL POST

SCALE: SHEET NO. OF SHEETS STA. TO STA.

F.A.I. RTE.	SECTION	COUNTY	TOTAL SHEETS	SHEET NO.
74	.	VERMILION	39	25
			CONTRACT NO. 46140	
ILLINOIS FED. AID PROJECT				