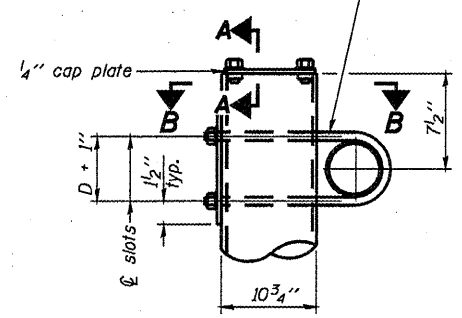
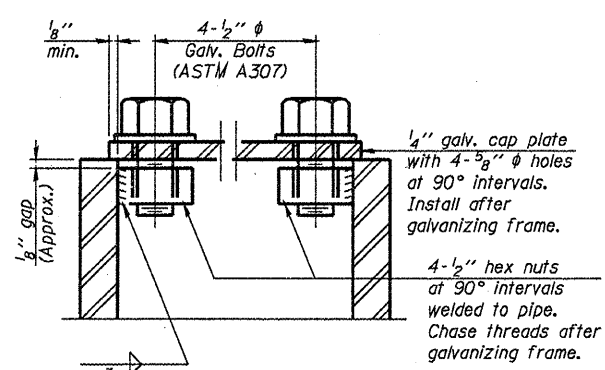


3/4" φ stainless steel U-bolt.
Provide two washers and two hexagon locknuts. (4)
1 1/2" x 2" slots on 10" φ pipe.
(4 slots required per pipe)

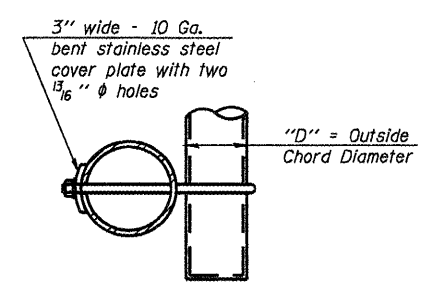


DETAIL A

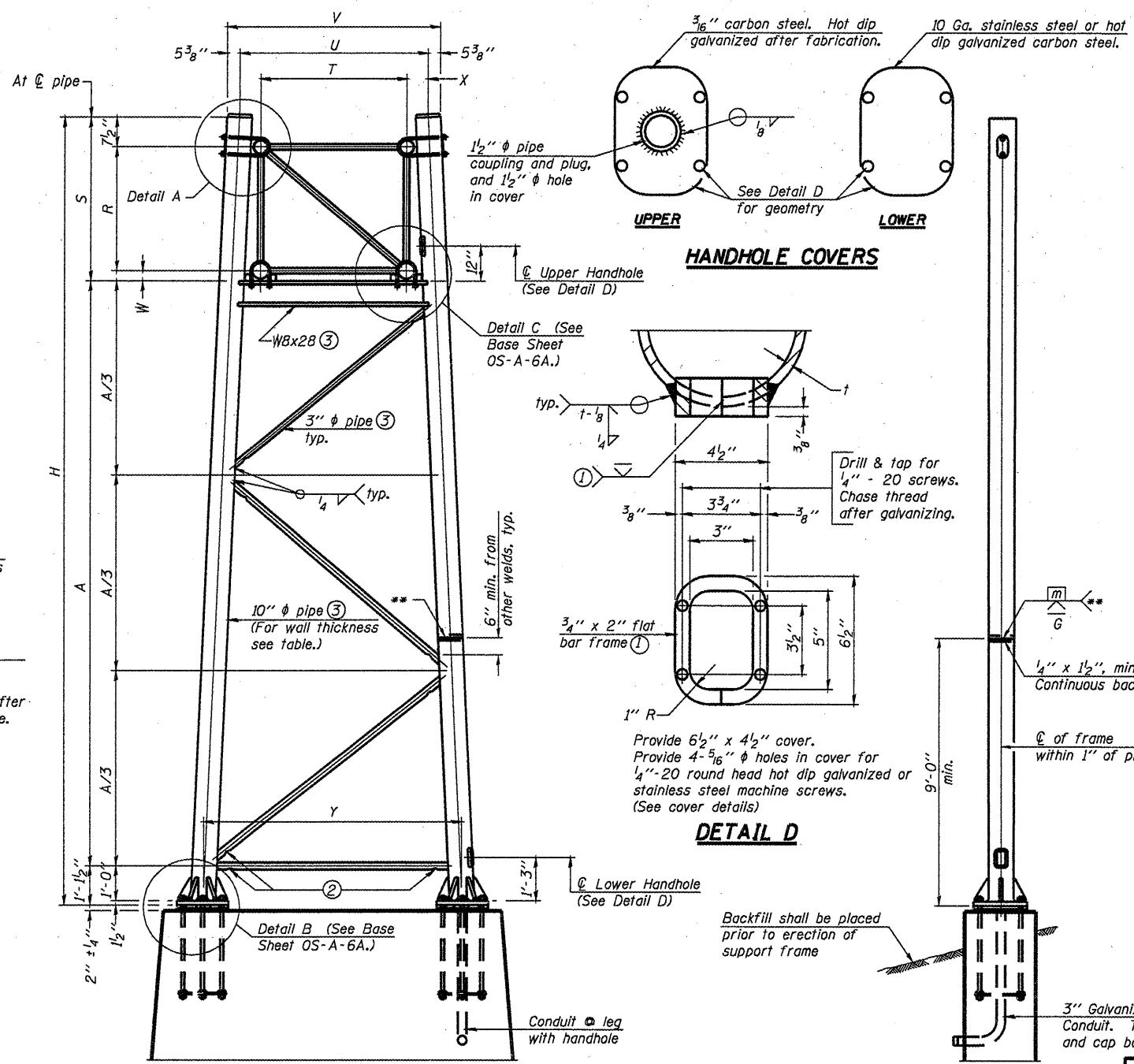


SECTION A-A

As an alternate to bolts, may use galvanized drive-fit caps installed after galvanizing frame.



SECTION B-B



SIDE ELEVATION

For Foundation Details, see base sheet OS-F3 (Spread Footing) or OS4-F3 (Drilled Shaft).

10" φ PIPE TRUSS SUPPORT FRAME

** One butt welded joint is allowed only on one post per support frame. If used, weld procedure must be pre-approved by Engineer and joint shall receive 100% RT or UT (tension criteria) at Contractor's expense.

Truss Type	Dimensions							
	R	S	T	U	V	W	X	Y
I-A	4'-6"	5'-5 1/2"	4'-0"	5'-6"	6'-4 3/4"	4"	9"	8'-3"
II-A (5)	5'-3"	6'-3 1/4"	4'-6"	6'-1"	6'-11 3/4"	4 3/4"	9 1/2"	8'-3"

Support Design Loads: See Base Sheet OS-A-1 for design and loading criteria.
Load combinations checked include deadload plus:
a) 100% wind normal to sign, 20% parallel to sign
b) 60% wind normal to sign, 30% parallel to sign

- In lieu of fabricated handhole frame as shown, may cut from 2" plate (rolling direction vertical). All cut faces to be ground to ANSI Roughness of 500 min or less.
- Galvanizing vent holes of adequate size shall be provided on underside at each end of bracing pipes. Alternately, holes may be provided in wall of pipe column. All vent holes shall be drilled and de-burred, typ.
- Steel pipe, plate, carbon steel handhole covers and rolled sections shall be hot dip galvanized after fabrication. Painting is not permitted. See Base Sheet OS-A-1.
- See General Notes for fasteners.
- Dimensions shown are based on selection criteria in the Sign Structures Manual. Nonstandard applications must have dimensions verified or amended as appropriate.
- "H" based on 15'-0" or actual sign height, whichever is greater.

Structure Number	Station	Support		Truss Type	Pipe Wall Thickness	H (6)	A
		Left	Right				
3S0061180L001.1	116+20						
3S0061180L001.6	139+60						
3S0061180R008.9	570+60						
3S0061180R009.7	611+00						
3S0061180L010.7	665+00						
3S0061180L012.3	696+20						

**LOCATION 3 THROUGH 8
THIS SHEET FOR INFORMATION ONLY**

OS-A-6

7-1-10

FILE NAME =	USER NAME = woodshankr1	DESIGNED - RON WOODSHANK	REVISED -
ca:\p\work\p\dot\woodshankr1\d0239610\6159-Detail.dgn	6159-Detail.dgn	DRAWN - RON WOODSHANK	REVISED -
		CHECKED -	REVISED -
		DATE -	REVISED -

STATE OF ILLINOIS
DEPARTMENT OF TRANSPORTATION

OVERHEAD SIGN STRUCTURES		F.A.I. R.T.E.	SECTION	COUNTY	TOTAL SHEETS	SHEET NO.
SUPPORT FRAME FOR ALUMINUM TRUSS		VAR	D-3 OVD SIN STR REPL II-34	VAR	16	14
SCALE: _____		SHEET NO. 3 OF 5 SHEETS		STA. _____ TO STA. _____		

F.A.I. R.T.E.	SECTION	COUNTY	TOTAL SHEETS	SHEET NO.
VAR	D-3 OVD SIN STR REPL II-34	VAR	16	14
CONTRACT NO. 46159				
ILLINOIS				