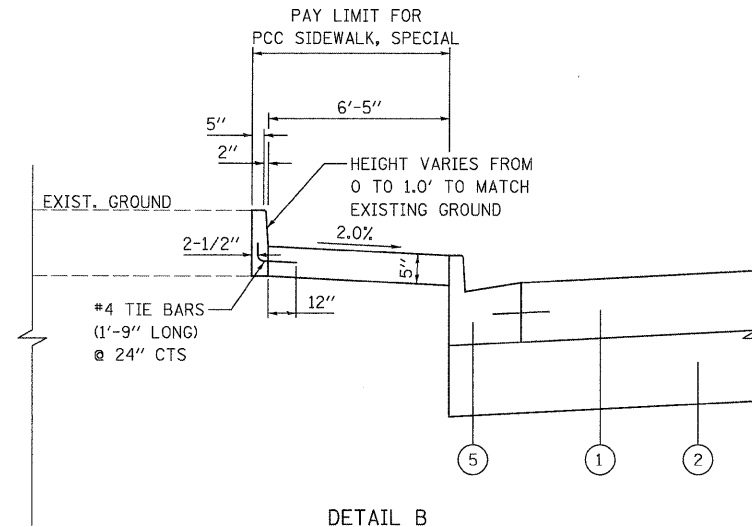


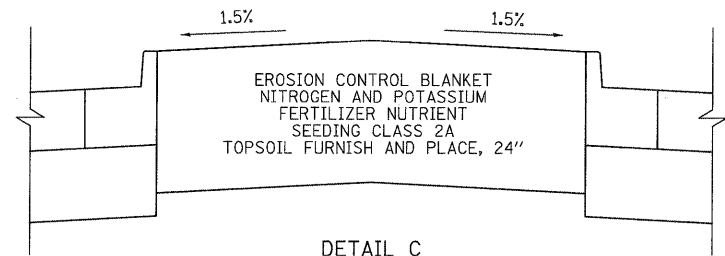
DETAIL A

CONCRETE MEDIAN, TYPE SB-6.18 (MODIFIED)



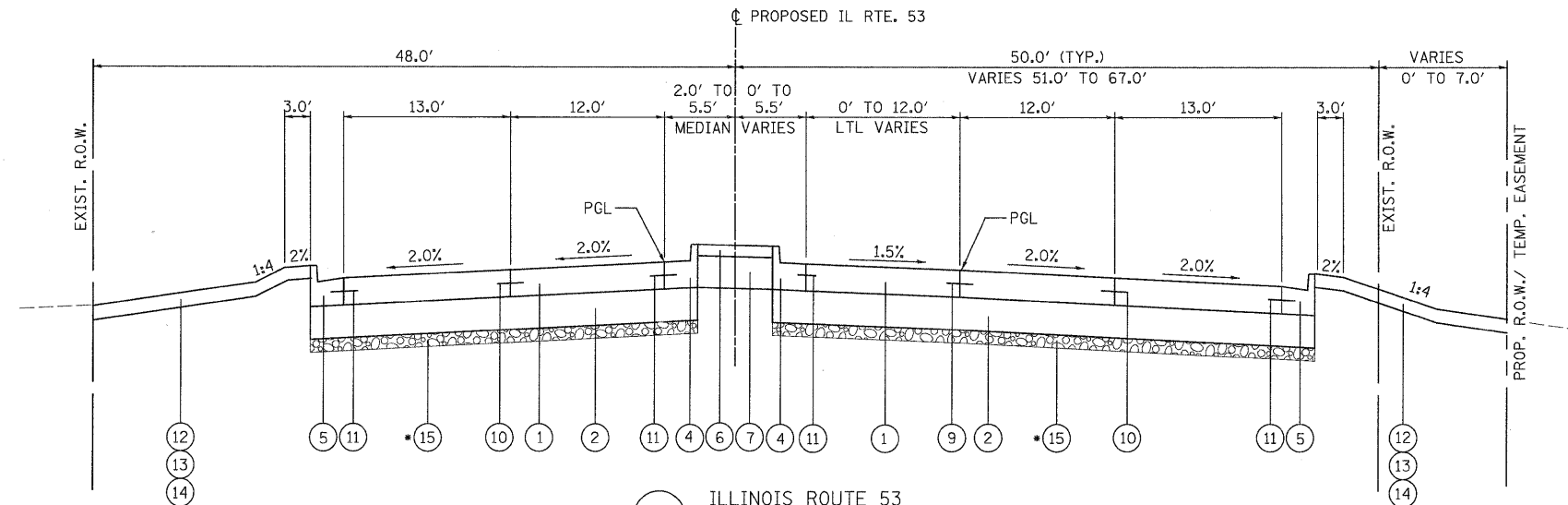
DETAIL B

PORTLAND CEMENT CONCRETE SIDEWALK, SPECIAL



DETAIL C

MEDIANS GREATER THAN 6 FEET WIDE
(SEE THE LANDSCAPING DETAIL SHEETS FOR LOCATIONS OF LANDSCAPED MEDIANS)



P-1 ILLINOIS ROUTE 53
STA. 35+66.65 TO STA. 40+00.00

* PGE SUBGRADE 6" FROM:
STA. 37+50.00 TO STA. 39+50.00

LEGEND

- PROPOSED
- ① PCC PAVEMENT 10" (JOINTED)
 - ② AGGREGATE SUBGRADE 12"
 - ③ CONCRETE MEDIAN, TYPE SB-6.18 (MODIFIED) (SEE DETAIL A)
 - ④ COMBINATION CONCRETE CURB AND GUTTER, TYPE B-6.18
 - ⑤ COMBINATION CONCRETE CURB AND GUTTER, TYPE B-6.24
 - ⑥ CONCRETE MEDIAN SURFACE, 4 INCH
 - ⑦ AGGREGATE BACKFILL (INCLUDED IN THE COST OF CONCRETE MEDIAN SURFACE)
 - ⑧ PORTLAND CEMENT CONCRETE SIDEWALK
 - ⑨ LONGITUDINAL CONSTRUCTION JOINT, NO. 8 EPOXY COATED TIE 24" LONG AT 24" CENTERS
 - ⑩ LONGITUDINAL SAWED JOINT, NO. 6 EPOXY COATED TIE BARS 30" BARS LONG AT 30" CENTERS
 - ⑪ LONGITUDINAL CONSTRUCTION JOINT, NO. 6 EPOXY COATED TIE BARS 24" LONG AT 24" CENTERS, DRILL AND GROUT (INCLUDED IN THE COST OF COMBINATION CONCRETE CURB AND GUTTER, CONCRETE MEDIAN AND CORRUGATED MEDIAN)
 - ⑫ EROSION CONTROL BLANKET (FOR USE ON ALL SEEDED AREAS)
 - ⑬ TOPSOIL FURNISH AND PLACE, - 4" (SEE NOTE 3)
 - ⑭ SODDING, SALT TOLERANT (SEE NOTE 3)
 - ⑮ POROUS GRANULAR EMBANKMENT, SUBGRADE

NOTES:

- 1. SEE THE ROADWAY SCHEDULES AND PLAN AND PROFILE SHEETS FOR THE LOCATION OF BARRIER MEDIAN, CONCRETE MEDIAN, TYPE SB-6.18 (MODIFIED), MOUNTABLE MEDIAN, AND CORRUGATED MEDIAN.
- 2. PROPOSED SIDEWALKS ARE LOCATED INTERMITTENTLY THROUGHOUT THE PROJECT. SEE PLAN AND PROFILE SHEETS FOR LOCATIONS.
- 3. SEE THE LANDSCAPING DETAIL SHEETS FOR THE LOCATIONS OF: TOPSOIL FURNISH AND PLACE, 4", 6", 8", 12", AND 24" SODDING, SALT TOLERANT SEEDING, CLASS 2A AND SEEDING, CLASS 4

STRUCTURAL PAVEMENT DESIGN INFORMATION BLOCK FOR IL 53

STRUCTURAL TRAFFIC:	YEAR	2014
PV=	25,346	SU= 1,682 MU= 1,972
ROAD/STREET CLASSIFICATION:	CLASS	1
P=	32%	S= 45% M= 45%
TRAFFIC FACTOR:	Actual TF=	14.56 AC Type=
	Minimum TF=	6.03
AC GRADE:	Binder=	Surface=
SUBGRADE SUPPORT RATING:		
SSR=	2.00	(Sta. _____ to _____)
SSR=		(Sta. _____ to _____)