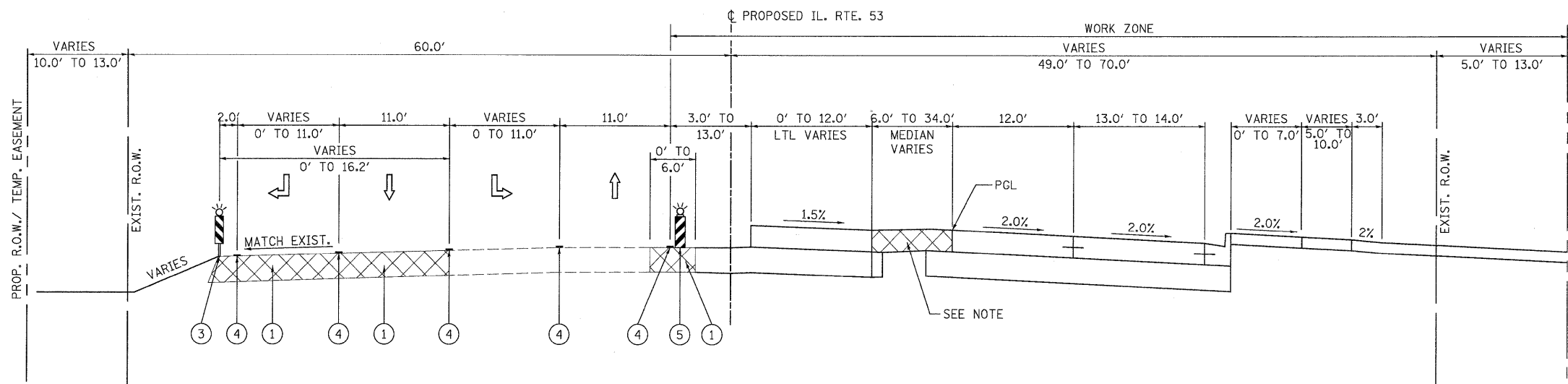


STAGE 1 - PHASE 1  
STA. 103+79.28 TO STA. 119+00.00

LEGEND

- ① TEMPORARY PAVEMENT (SEE SPECIAL PROVISION)
- ② TYPE II BARRICADES WITH STEADY BURNING LIGHTS (50 FT C-C TANGENTS, 25 FT C-C @ TAPERS & 12 FT C-C ALONG RADII)
- ③ VERTICAL PANELS WITH STEADY BURNING LIGHTS @ 50 FT C-C
- ④ TEMPORARY PAVEMENT MARKING
- ⑤ VERTICAL BARRICADES WITH STEADY BURNING LIGHTS (50 FT C-C @ TANGENTS, 25 FT C-C @ TAPERS & 12 FT C-C ALONG RADII)



STAGE 1 - PHASE 1  
STA. 119+00.00 TO STA. 130+44.75

NOTE  
CONSTRUCT TEMPORARY PAVEMENT FOR USE IN STAGE 2

PATRICK ENGINEERING INC. 4970 VARSITY DRIVE LISLE, IL 60532 patrickengineering.com	USER NAME = ckarsten(lisle_R) PLOT CONFIG = PDF(Grey_Large).plt PLOT SCALE = 1:6.66667 PLOT DATE = 12/3/2010	DESIGNED - MJV DRAWN - EJB CHECKED - CPK DATE - 12/3/2010	REVISED - REVISED - REVISED - REVISED -	Illinois Department of Transportation	<b>ILLINOIS ROUTE 53</b> <b>SUGGESTED MAINTENANCE OF TRAFFIC</b> <b>TYPICAL SECTIONS - STAGE 1 PHASE 1</b>		F.A. RTE. 2578 SECTION 532B COUNTY DUPAGE TOTAL SHEETS 781 SHEET NO. 112	CONTRACT NO. 60477
	SCALE: 1"=50' SHEET MOT-06 OF 136 STA. TO STA.	FED. ROAD DIST. NO. ILLINOIS FED. AID PROJECT						