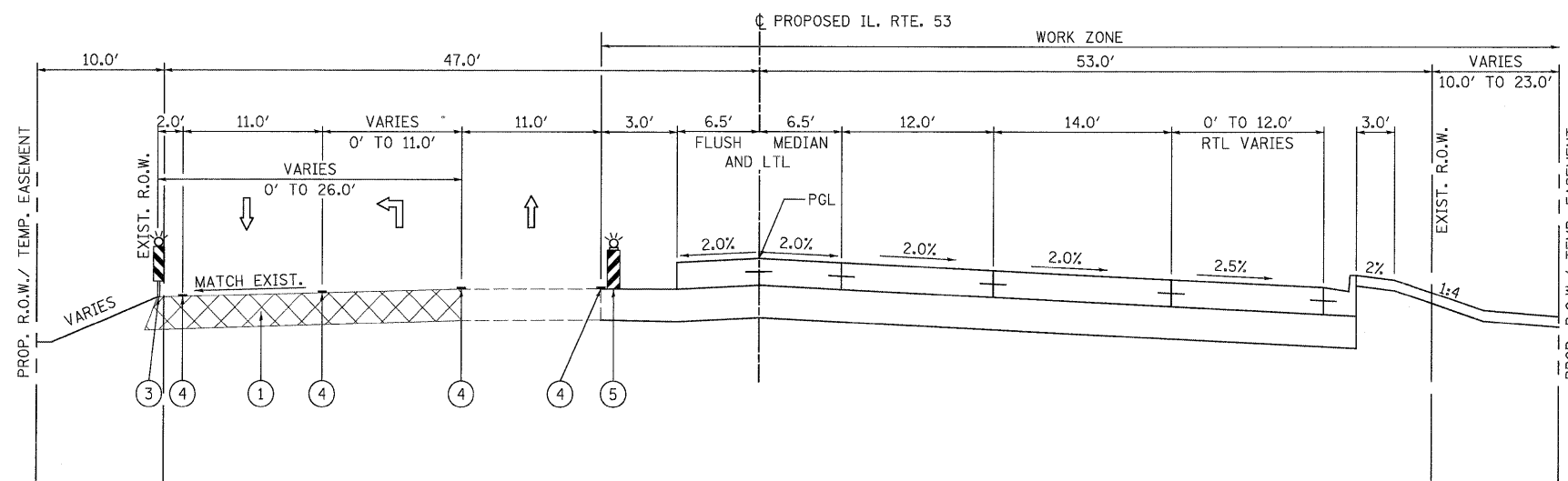


STAGE 1 - PHASE 1
STA. 130+44.75 TO STA. 141+91.87

LEGEND

- ① TEMPORARY PAVEMENT (SEE SPECIAL PROVISION)
- ② TYPE II BARRICADES WITH STEADY BURNING LIGHTS (50 FT C-C TANGENTS, 25 FT C-C @ TAPERS & 12 FT C-C ALONG RADII)
- ③ VERTICAL PANELS WITH STEADY BURNING LIGHTS @ 50 FT C-C
- ④ TEMPORARY PAVEMENT MARKING
- ⑤ VERTICAL BARRICADES WITH STEADY BURNING LIGHTS (50 FT C-C @ TANGENTS, 25 FT C-C @ TAPERS & 12 FT C-C ALONG RADII)



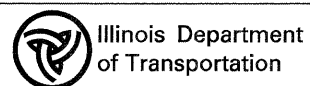
STAGE 1 - PHASE 1
STA. 141+91.87 TO STA. 149+00.00

PATRICK ENGINEERING INC.
4970 VARSITY DRIVE
LISLE, IL 60532
patrickengineering.com

USER NAME = okersten(Lisle_R)
PLOT CONFIG = PDF(Greg_Large).plt
PLOT SCALE = 1:6.66667
PLOT DATE = 12/3/2010

DESIGNED - MJV
DRAWN - EJB
CHECKED - CPK
DATE - 12/3/2010

REVISED -
REVISED -
REVISED -
REVISED -



ILLINOIS ROUTE 53
SUGGESTED MAINTENANCE OF TRAFFIC
TYPICAL SECTIONS - STAGE 1 PHASE 1

SCALE: 1"=50'

SHEET MOT-07 OF 136

STA. TO STA.

F.A. RTE.	SECTION	COUNTY	TOTAL SHEETS	SHEET NO.
2578	532B		781	113
FED. ROAD DIST. NO. ILLINOIS FED. AID PROJECT			CONTRACT NO. 60477	