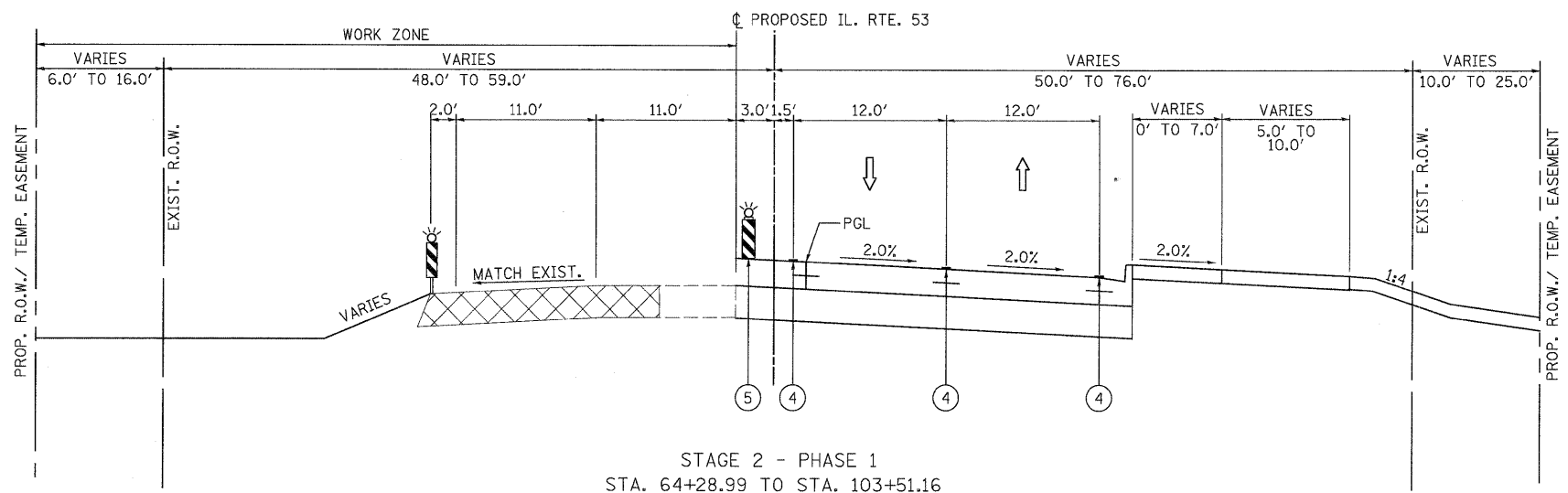


STAGE 2 - PHASE 1
STA. 50+00.00 TO STA. 64+28.99

LEGEND

- ① TEMPORARY PAVEMENT (SEE SPECIAL PROVISION)
- ② TYPE II BARRICADES WITH STEADY BURNING LIGHTS (50 FT C-C TANGENTS, 25 FT C-C @ TAPERS & 12 FT C-C ALONG RADII)
- ③ VERTICAL PANELS WITH STEADY BURNING LIGHTS @ 50 FT C-C
- ④ WET TEMPORARY PAVEMENT MARKING TAPE
- ⑤ VERTICAL BARRICADES WITH STEADY BURNING LIGHTS (50 FT C-C @ TANGENTS, 25 FT C-C @ TAPERS & 12 FT C-C ALONG RADII)



STAGE 2 - PHASE 1
STA. 64+28.99 TO STA. 103+51.16

PATRICK ENGINEERING INC. 4970 VARSITY DRIVE LISLE, IL 60532 patrickengineering.com	USER NAME = ckersten(Lisle_R) PLOT CONFIG = PDF(Grey_Large).plt PLOT SCALE = 1:6.66667 PLOT DATE = 12/3/2010	DESIGNED - MJV DRAWN - EJB CHECKED - CPK DATE - 12/3/2010	REVISED - REVISED - REVISED - REVISED -	Illinois Department of Transportation	ILLINOIS ROUTE 53 SUGGESTED MAINTENANCE OF TRAFFIC TYPICAL SECTIONS - STAGE 2 PHASE 1		F.A. RTE. 2578 SECTION 532B COUNTY DUPAGE TOTAL SHEETS 781 SHEET NO. 116	CONTRACT NO. 60477
	SCALE: 1"=50' SHEET MOT-10 OF 136 STA. TO STA.	FED. ROAD DIST. NO. ILLINOIS FED. AID PROJECT						

G:\1001\9356_A2_1L53\1D-awings\CADD Sheets\019139797-sh-t-stagingtypical.110-171.dgn