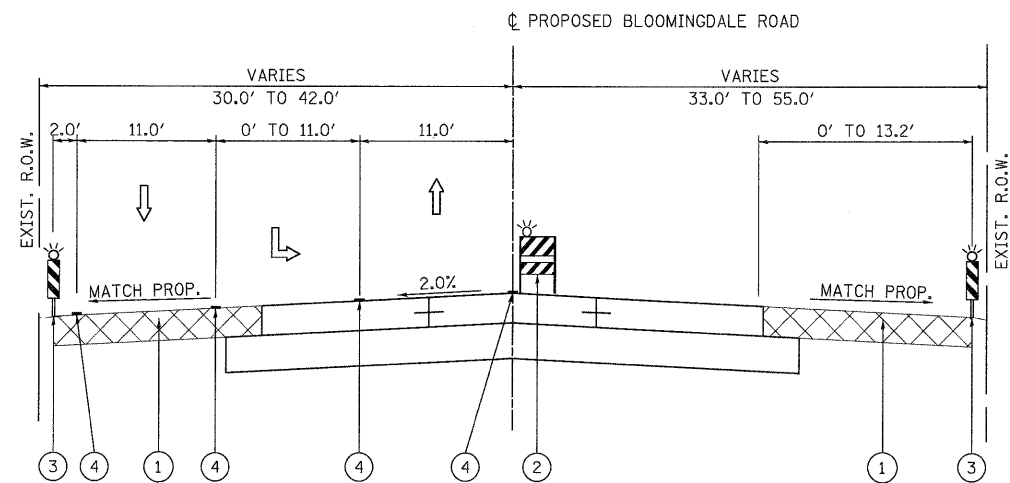


STAGE 2 SUB 1 - PHASE 1
 STA. 8+00.00 TO STA. 15+00.00
 ③ TEMPORARY CONCRETE BARRIER FROM
 STA. 11+54.63 TO STA. 13+45.15

LEGEND

- ① TEMPORARY PAVEMENT (SEE SPECIAL PROVISION)
- ② TYPE II BARRICADES WITH STEADY BURNING LIGHTS (50 FT C-C TANGENTS, 25 FT C-C @ TAPERS & 12 FT C-C ALONG RADII)
- ③ VERTICAL PANELS WITH STEADY BURNING LIGHTS @ 50 FT C-C
- ④ WET TEMPORARY PAVEMENT MARKING TAPE
- ⑤ VERTICAL BARRICADES WITH STEADY BURNING LIGHTS (50 FT C-C @ TANGENTS, 25 FT C-C @ TAPERS & 12 FT C-C ALONG RADII)



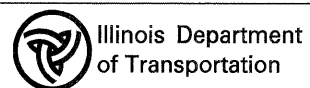
STAGE 2 SUB 1 - PHASE 1
 STA. 8+00.00 TO STA. 19+70.78

PATRICK ENGINEERING INC.
 4970 VARSITY DRIVE
 LISLE, IL 60532
 patrickengineering.com

USER NAME = ckersten@lisle.il.gov
 PLOT CONFIG = PDF(Gray_Large).plt
 PLOT SCALE = 1:8,66667
 PLOT DATE = 12/3/2010

DESIGNED - MJV
 DRAWN - EJB
 CHECKED - CPK
 DATE - 12/3/2010

REVISED -
 REVISED -
 REVISED -
 REVISED -



NORDIC ROAD /BLOOMINGDALE ROAD
 SUGGESTED MAINTENANCE OF TRAFFIC
 TYPICAL SECTIONS - STAGE 2 SUB 1 PHASE 1

SCALE: 1"=50' SHEET MOT-32 OF 136 STA. TO STA.

F.A. RTE.	SECTION	COUNTY	TOTAL SHEETS	SHEET NO.
2578	532B	DUPAGE	781	138
CONTRACT NO. 60477				