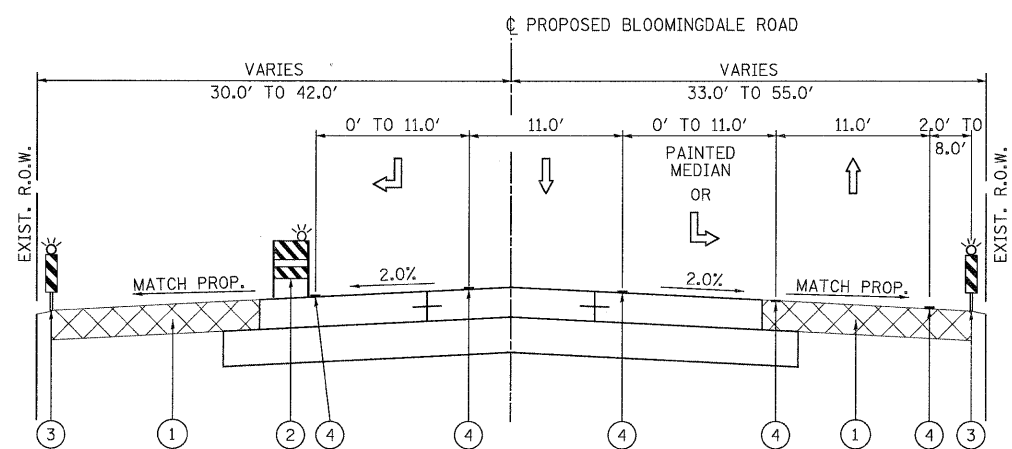


STAGE 2 SUB 3 - PHASE 1  
 STA. 8+00.00 TO STA. 15+00.00  
 (3) TEMPORARY CONCRETE BARRIER FROM  
 STA. 11+54.63 TO STA. 13+45.15

LEGEND

- (1) TEMPORARY PAVEMENT (SEE SPECIAL PROVISION)
- (2) TYPE II BARRICADES WITH STEADY BURNING LIGHTS (50 FT C-C TANGENTS, 25 FT C-C @ TAPERS & 12 FT C-C ALONG RADII)
- (3) VERTICAL PANELS WITH STEADY BURNING LIGHTS @ 50 FT C-C
- (4) WET TEMPORARY PAVEMENT MARKING TAPE
- (5) VERTICAL BARRICADES WITH STEADY BURNING LIGHTS (50 FT C-C @ TANGENTS, 25 FT C-C @ TAPERS & 12 FT C-C ALONG RADII)



STAGE 2 SUB 3 - PHASE 1  
 STA. 15+00.00 TO STA. 19+70.78

PATRICK ENGINEERING INC. 4970 VARSITY DRIVE LISLE, IL 60532 patrickengineering.com	USER NAME = ckersten@lisle.ri PLOT CONFIG = PDF(Grey, Large).plt PLOT SCALE = 1:6,66667 PLOT DATE = 12/3/2010	DESIGNED - MJV DRAWN - EJB CHECKED - CPK DATE - 12/3/2010	REVISED - REVISED - REVISED - REVISED -	Illinois Department of Transportation	<b>NORDIC ROAD /BLOOMINGDALE ROAD</b> <b>SUGGESTED MAINTENANCE OF TRAFFIC</b> <b>TYPICAL SECTIONS - STAGE 2 SUB 3 PHASE 1</b>		F.A. RTE. 2578 SECTION 532B COUNTY DUPAGE TOTAL SHEETS 781 SHEET NO. 140 CONTRACT NO. 60477
	SCALE: 1"=50' SHEET MOT-34 OF 136 STA. TO STA.				FED. ROAD DIST. NO. ILLINOIS FED. AID PROJECT		