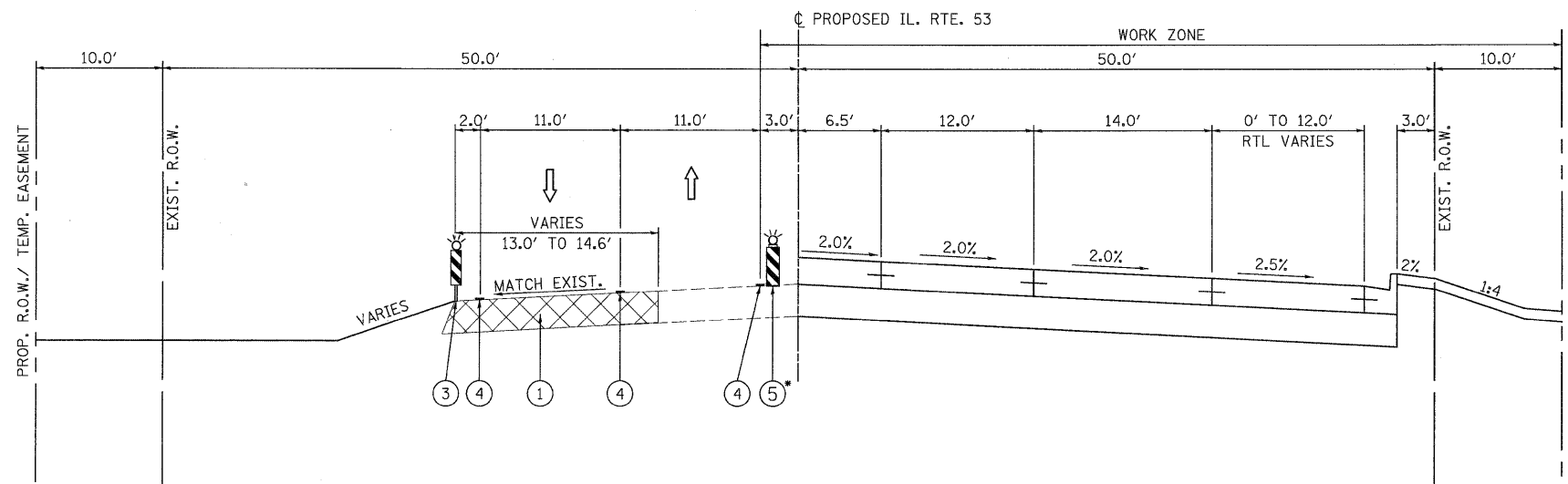


STAGE 1 - PHASE 2  
 STA. 170+20.66 TO STA. 176+92.02  
 ⑤ TEMPORARY CONCRETE BARRIER FROM  
 STA. 175+00.00 TO STA. 176+92.02

- LEGEND
- ① TEMPORARY PAVEMENT (SEE SPECIAL PROVISION)
  - ② TYPE II BARRICADES WITH STEADY BURNING LIGHTS (50 FT C-C TANGENTS, 25 FT C-C @ TAPERS & 12 FT C-C ALONG RADII)
  - ③ VERTICAL PANELS WITH STEADY BURNING LIGHTS @ 50 FT C-C
  - ④ TEMPORARY PAVEMENT MARKING
  - ⑤ VERTICAL BARRICADES WITH STEADY BURNING LIGHTS (50 FT C-C @ TANGENTS, 25 FT C-C @ TAPERS & 12 FT C-C ALONG RADII)



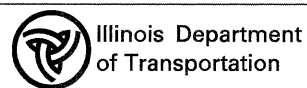
STAGE 1 - PHASE 2  
 STA. 176+92.02 TO STA. 192+78.89  
 ⑤ TEMPORARY CONCRETE BARRIER FROM  
 STA. 176+92.02 TO STA. 177+86.44

PATRICK ENGINEERING INC.  
 4970 VARSITY DRIVE  
 LISLE, IL 60532  
 patrickengineering.com

USER NAME = ckerster(Lisle\_R)  
 PLOT CONFIG = PDF(Grey\_Large).plt  
 PLOT SCALE = 1:6,86667  
 PLOT DATE = 12/3/2010

DESIGNED - MJV  
 DRAWN - EJB  
 CHECKED - CPK  
 DATE - 12/3/2010

REVISED -  
 REVISED -  
 REVISED -  
 REVISED -



ILLINOIS ROUTE 53  
 SUGGESTED MAINTENANCE OF TRAFFIC  
 TYPICAL SECTIONS - STAGE 1 PHASE 2  
 SCALE: 1"=50'  
 SHEET MOT-35 OF 136  
 STA. TO STA.

F.A. RTE.	SECTION	COUNTY	TOTAL SHEETS	SHEET NO.
2578	532B	DUPAGE	781	141
CONTRACT NO. 60477				
FED. ROAD DIST. NO. ILLINOIS FED. AID PROJECT				