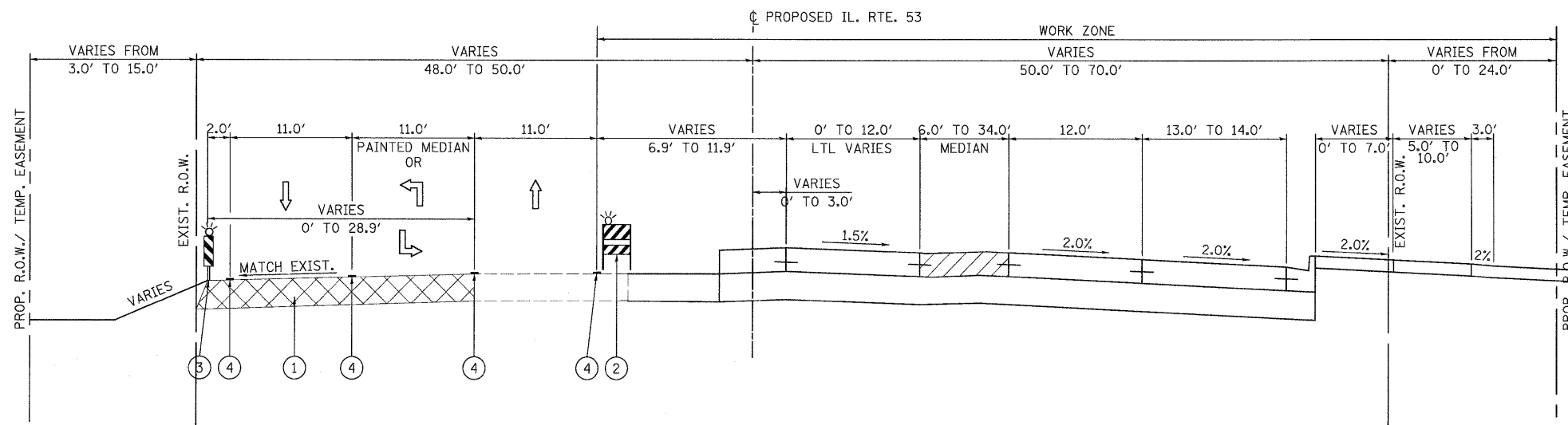


STAGE 1 - PHASE 2  
STA. 192+79.11 TO STA. 201+98.03

- LEGEND**
- ① TEMPORARY PAVEMENT (SEE SPECIAL PROVISION)
  - ② TYPE II BARRICADES WITH STEADY BURNING LIGHTS (50 FT C-C TANGENTS, 25 FT C-C @ TAPERS & 12 FT C-C ALONG RADII)
  - ③ VERTICAL PANELS WITH STEADY BURNING LIGHTS @ 50 FT C-C
  - ④ TEMPORARY PAVEMENT MARKING
  - ⑤ VERTICAL BARRICADES WITH STEADY BURNING LIGHTS (50 FT C-C @ TANGENTS, 25 FT C-C @ TAPERS & 12 FT C-C ALONG RADII)



STAGE 1 - PHASE 2  
STA. 201+98.03 TO STA. 212+98.21

<b>PATRICK ENGINEERING INC.</b> 4970 VARSITY DRIVE LISLE, IL 60532 patrickengineering.com	USER NAME = ckersten(Lisle_R) PLOT CONFIG = PDFGreg_Large.plt PLOT SCALE = 1:6.66667 PLOT DATE = 12/3/2010	DESIGNED - MJV DRAWN - EJB CHECKED - CPK DATE - 12/3/2010	REVISED - REVISED - REVISED - REVISED -	Illinois Department of Transportation	<b>ILLINOIS ROUTE 53</b> <b>SUGGESTED MAINTENANCE OF TRAFFIC</b> <b>TYPICAL SECTIONS - STAGE 1 PHASE 2</b>		F.A. RTE. 2578 SECTION 532B COUNTY DUPAGE TOTAL SHEETS 781 SHEET NO. 142	CONTRACT NO. 60477 ILLINOIS FED. AID PROJECT
	SCALE: 1"=50' SHEET MOT-36 OF 136 STA. TO STA.	FED. ROAD DIST. NO. ILLINOIS FED. AID PROJECT						