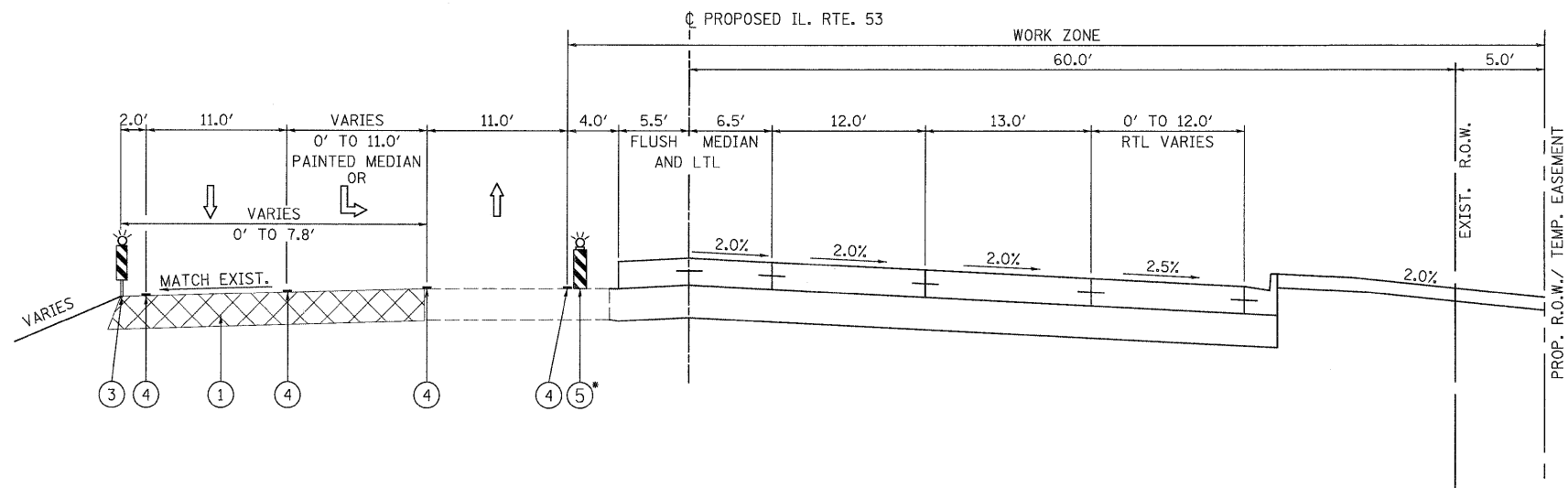


PRESTAGE AND STAGE 1 - PHASE 2  
 STA. 238+01.79 TO STA. 245+01.79  
 ②\* TEMPORARY CONCRETE BARRIER FROM  
 STA. 240+30.00 TO STA. 245+01.79



PRESTAGE AND STAGE 1 - PHASE 2  
 STA. 245+01.79 TO STA. 250+33.02  
 ⑤\* TEMPORARY CONCRETE BARRIER FROM  
 STA. 245+01.79 TO STA. 246+40.00

LEGEND

- ① TEMPORARY PAVEMENT (SEE SPECIAL PROVISION)
- ② TYPE II BARRICADES WITH STEADY BURNING LIGHTS (50 FT C-C TANGENTS, 25 FT C-C @ TAPERS & 12 FT C-C ALONG RADII)
- ③ VERTICAL PANELS WITH STEADY BURNING LIGHTS @ 50 FT C-C
- ④ TEMPORARY PAVEMENT MARKING
- ⑤ VERTICAL BARRICADES WITH STEADY BURNING LIGHTS (50 FT C-C @ TANGENTS, 25 FT C-C @ TAPERS & 12 FT C-C ALONG RADII)

PATRICK ENGINEERING INC. 4970 VARSITY DRIVE LISLE, IL 60532 patrickengineering.com	USER NAME = ckarsteni(Lisle_R) PLOT CONFIG = PDF(Greg_Large).plt PLOT SCALE = 1:6,666.67 PLOT DATE = 12/3/2010	DESIGNED - MJV DRAWN - EJB CHECKED - CPK DATE - 12/3/2010	REVISED - REVISED - REVISED - REVISED -	Illinois Department of Transportation	<b>ILLINOIS ROUTE 53</b> <b>SUGGESTED MAINTENANCE OF TRAFFIC</b> <b>TYPICAL SECTIONS - STAGE 1 PHASE 2</b>		F.A. RTE. 2578 SECTION 532B COUNTY DUPAGE TOTAL SHEETS 781 SHEET NO. 145	CONTRACT NO. 60477
	SCALE: 1"=50'    SHEET MOT-39 OF 136    STA. TO STA.				FED. ROAD DIST. NO.    ILLINOIS FED. AID PROJECT			