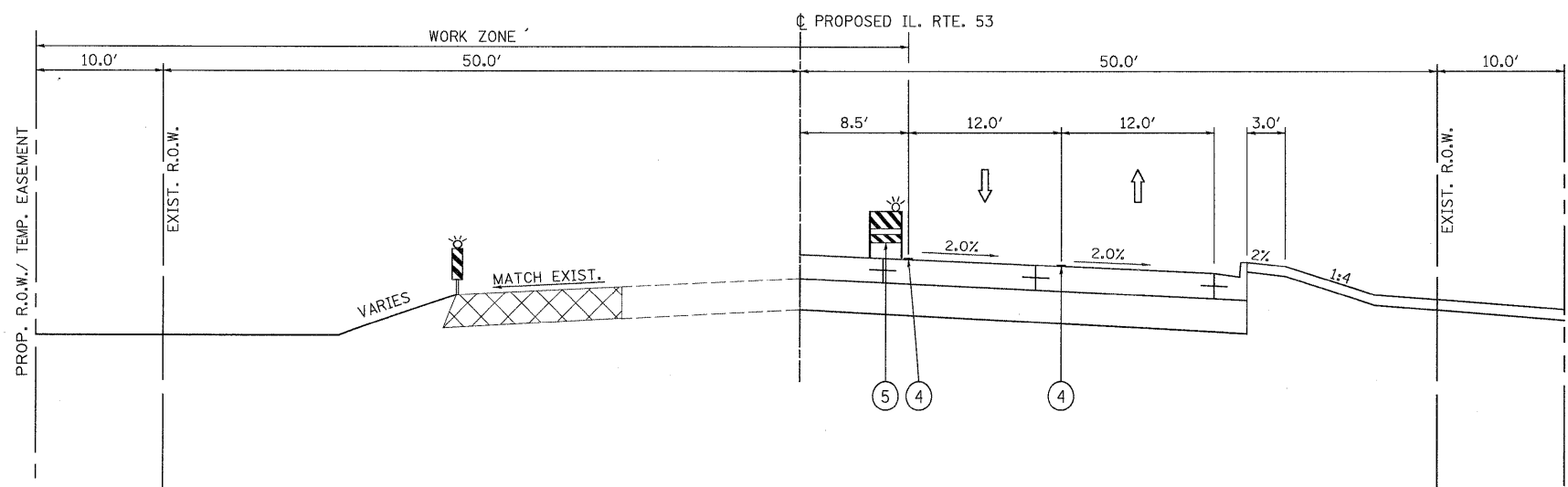


STAGE 2 - PHASE 2
STA. 170+20.66 TO STA. 180+16.41

⑤ TEMPORARY CONCRETE BARRIER BETWEEN
STA. 175+00.00 TO STA. 178+00.00

LEGEND

- ① TEMPORARY PAVEMENT (SEE SPECIAL PROVISION)
- ② TYPE II BARRICADES WITH STEADY BURNING LIGHTS (50 FT C-C TANGENTS, 25 FT C-C @ TAPERS & 12 FT C-C ALONG RADII)
- ③ VERTICAL PANELS WITH STEADY BURNING LIGHTS @ 50 FT C-C
- ④ WET TEMPORARY PAVEMENT MARKING TAPE
- ⑤ VERTICAL BARRICADES WITH STEADY BURNING LIGHTS (50 FT C-C @ TANGENTS, 25 FT C-C @ TAPERS & 12 FT C-C ALONG RADII)



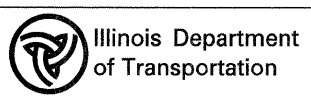
STAGE 2 - PHASE 2
STA. 180+16.41 TO STA. 193+95.74

PATRICK ENGINEERING INC.
4970 VARSITY DRIVE
LISLE, IL 60532
patrickengineering.com

USER NAME = ckersten(Lisle.R)
PLOT CONFIG = PDF(Grey, Large).plt
PLOT SCALE = 1:6,86667
PLOT DATE = 12/3/2010

DESIGNED - MJV
DRAWN - EJB
CHECKED - CPK
DATE - 12/3/2010

REVISED -
REVISED -
REVISED -
REVISED -



ILLINOIS ROUTE 53
SUGGESTED MAINTENANCE OF TRAFFIC
TYPICAL SECTIONS - STAGE 2 PHASE 2

SCALE: 1"=50' SHEET MOT-40 OF 136 STA. TO STA.

F.A. RTE.	SECTION	COUNTY	TOTAL SHEETS	SHEET NO.
2578	5328		781	146
FED. ROAD DIST. NO.		ILLINOIS	FED. AID PROJECT	CONTRACT NO. 60477

G:\1001\9356_A6_IL53\Drawings\CADD Sheets\DI9139797-ah-t-stagingtypical_110-171.dgn