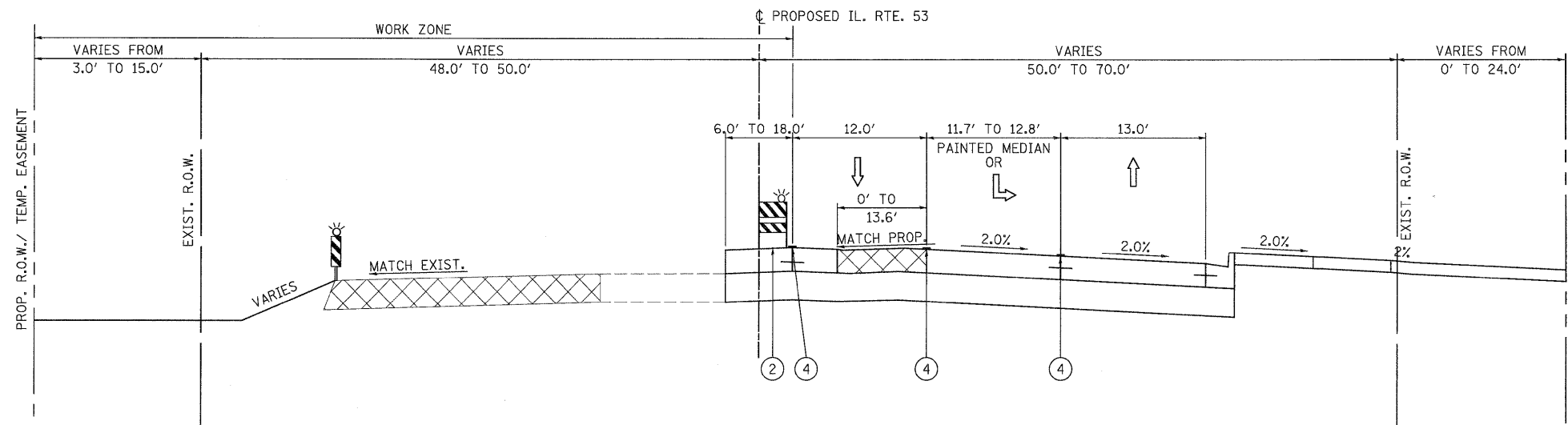


STAGE 2 - PHASE 2
STA. 193+95.74 TO STA. 202+67.57

LEGEND

- ① TEMPORARY PAVEMENT (SEE SPECIAL PROVISION)
- ② TYPE II BARRICADES WITH STEADY BURNING LIGHTS (50 FT C-C TANGENTS, 25 FT C-C @ TAPERS & 12 FT C-C ALONG RADII)
- ③ VERTICAL PANELS WITH STEADY BURNING LIGHTS @ 50 FT C-C
- ④ WET TEMPORARY PAVEMENT MARKING TAPE
- ⑤ VERTICAL BARRICADES WITH STEADY BURNING LIGHTS (50 FT C-C @ TANGENTS, 25 FT C-C @ TAPERS & 12 FT C-C ALONG RADII)



STAGE 2 - PHASE 2
STA. 202+67.57 TO STA. 208+67.57

PATRICK ENGINEERING INC. 4870 VARSITY DRIVE LISLE, IL 60532 patrickengineering.com	USER NAME = ckersten@lisle.il.gov PLOT CONFIG = PDFConfigLarge.plt PLOT SCALE = 1/8"=66667 PLOT DATE = 12/3/2010	DESIGNED - MJV DRAWN - EJB CHECKED - CPK DATE - 12/3/2010	REVISED - REVISED - REVISED - REVISED -	Illinois Department of Transportation	ILLINOIS ROUTE 53 SUGGESTED MAINTENANCE OF TRAFFIC TYPICAL SECTIONS - STAGE 2 PHASE 2		F.A. RTE. 2578 SECTION 532B COUNTY DUPAGE TOTAL SHEETS 781 SHEET NO. 147	CONTRACT NO. 60477
	SCALE: 1"=50' SHEET MOT-41 OF 136 STA. TO STA.				FED. ROAD DIST. NO. ILLINOIS FED. AID PROJECT			