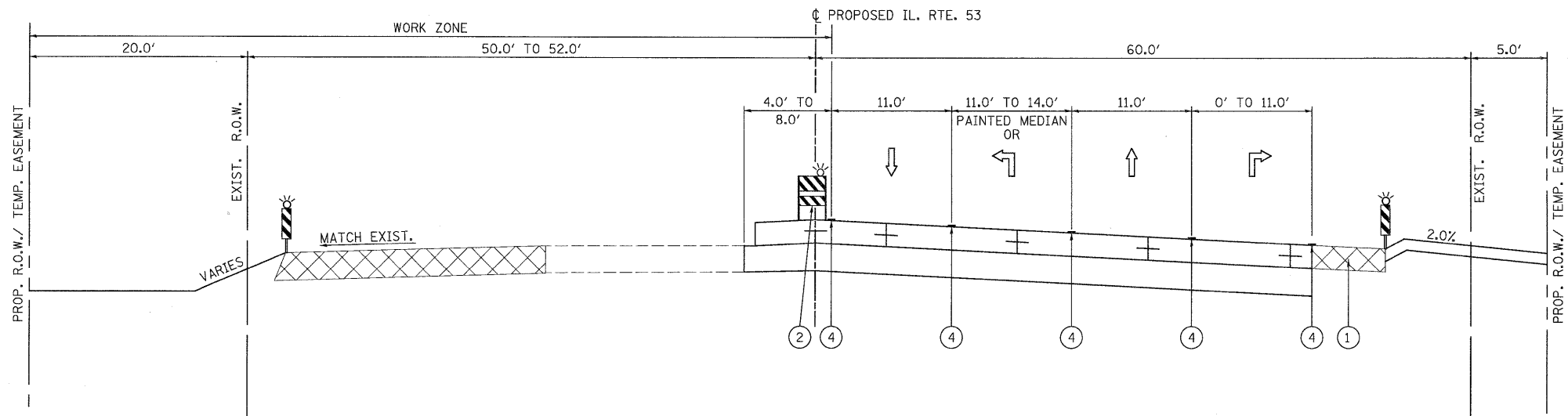


STAGE 2 - PHASE 2
STA. 232+74.05 TO STA. 234+02.74

LEGEND

- ① TEMPORARY PAVEMENT (SEE SPECIAL PROVISION)
- ② TYPE II BARRICADES WITH STEADY BURNING LIGHTS (50 FT C-C TANGENTS, 25 FT C-C @ TAPERS & 12 FT C-C ALONG RADII)
- ③ VERTICAL PANELS WITH STEADY BURNING LIGHTS @ 50 FT C-C
- ④ WET TEMPORARY PAVEMENT MARKING TAPE
- ⑤ VERTICAL BARRICADES WITH STEADY BURNING LIGHTS (50 FT C-C @ TANGENTS, 25 FT C-C @ TAPERS & 12 FT C-C ALONG RADII)



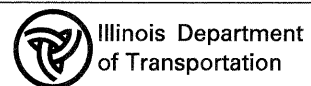
STAGE 2 - PHASE 2
STA. 234+02.74 TO STA. 238+00.00

PATRICK ENGINEERING INC.
4970 VARSITY DRIVE
LISLE, IL 60532
patrickengineering.com

USER NAME = ckersten@lisle.ri
PLOT CONFIG = PDFConfig_Large.plt
PLOT SCALE = 1/8"=1'-0"
PLOT DATE = 12/3/2010

DESIGNED - MJV
DRAWN - EJB
CHECKED - CPK
DATE - 12/3/2010

REVISED -
REVISED -
REVISED -
REVISED -



**ILLINOIS ROUTE 53
SUGGESTED MAINTENANCE OF TRAFFIC
TYPICAL SECTIONS - STAGE 2 PHASE 2**

SCALE: 1"=50' SHEET MOT-44 OF 136 STA. TO STA.

| F.A. RTE. | SECTION | COUNTY | TOTAL SHEETS | SHEET NO. |
|---|---------|--------|--------------|-----------|
| 2578 | 532B | DUPAGE | 781 | 150 |
| CONTRACT NO. 60477 | | | | |
| FED. ROAD DIST. NO. ILLINOIS FED. AID PROJECT | | | | |