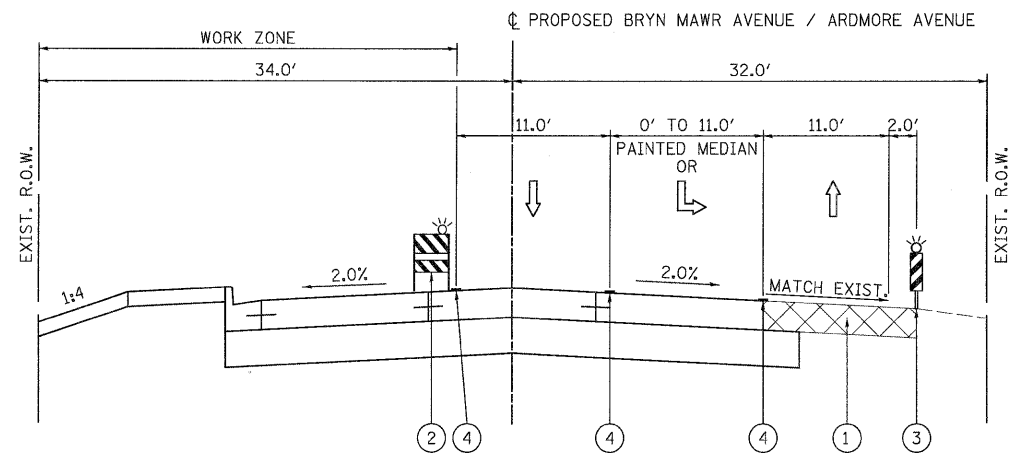


STAGE 1 SUB 3 - PHASE 2
 BRYN MAWR AVENUE STA. 9+51.69 TO STA. 15+00.00
 ARDMORE AVENUE STA. 9+66.20 TO STA. 15+00.00



STAGE 1 SUB 3 - PHASE 2
 BRYN MAWR AVENUE STA. 15+00.00 TO STA. 20+44.33
 ARDMORE AVENUE STA. 15+00.00 TO STA. 19+11.91

LEGEND

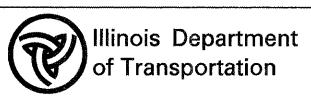
- ① TEMPORARY PAVEMENT (SEE SPECIAL PROVISION)
- ② TYPE II BARRICADES WITH STEADY BURNING LIGHTS (50 FT C-C TANGENTS, 25 FT C-C @ TAPERS & 12 FT C-C ALONG RADII)
- ③ VERTICAL PANELS WITH STEADY BURNING LIGHTS @ 50 FT C-C
- ④ WET TEMPORARY PAVEMENT MARKING TAPE
- ⑤ VERTICAL BARRICADES WITH STEADY BURNING LIGHTS (50 FT C-C @ TANGENTS, 25 FT C-C @ TAPERS & 12 FT C-C ALONG RADII)

PATRICK ENGINEERING INC.
 4970 VARSITY DRIVE
 LISLE, IL 60532
 patrickengineering.com

USER NAME = akersten(Lisle,RI)
 PLOT CONFIG = PDF(Greg, Large).plt
 PLOT SCALE = 1:6.66667
 PLOT DATE = 12/3/2010

DESIGNED - MJV
 DRAWN - EJB
 CHECKED - CPK
 DATE - 12/3/2010

REVISED -
 REVISED -
 REVISED -
 REVISED -



BRYN MAWR AVENUE / ARDMORE AVENUE
 SUGGESTED MAINTENANCE OF TRAFFIC
 TYPICAL SECTIONS - STAGE 1 SUB 3 PHASE 2

SCALE: 1"=50' SHEET M0T-56 OF 136 STA. TO STA.

F.A. RTE.	SECTION	COUNTY	TOTAL SHEETS	SHEET NO.
257B	532B	DUPAGE	781	162
FED. ROAD DIST. NO. ILLINOIS FED. AID PROJECT				CONTRACT NO. 60477

G:\DOT\9356_A6_(IL53)\Drawings\CADD Sheets\019139797-sht-stagingtypical.110-171.dgn