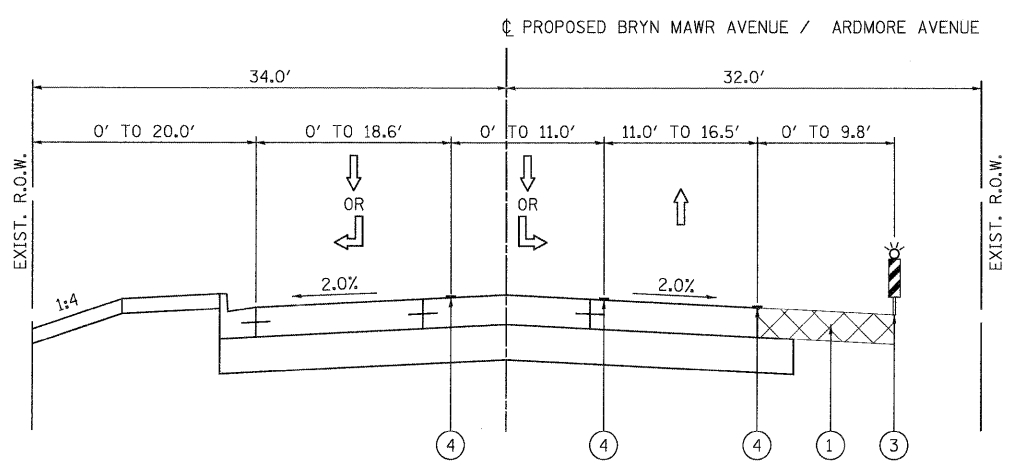


STAGE 2 SUB 1 - PHASE 2
 BRYN MAWR AVENUE STA. 9+51.69 TO STA. 15+00.00
 ARDMORE AVENUE STA. 9+66.20 TO STA. 15+00.00

LEGEND

- ① TEMPORARY PAVEMENT (SEE SPECIAL PROVISION)
- ② TYPE II BARRICADES WITH STEADY BURNING LIGHTS (50 FT C-C TANGENTS, 25 FT C-C @ TAPERS & 12 FT C-C ALONG RADII)
- ③ VERTICAL PANELS WITH STEADY BURNING LIGHTS @ 50 FT C-C
- ④ WET TEMPORARY PAVEMENT MARKING TAPE
- ⑤ VERTICAL BARRICADES WITH STEADY BURNING LIGHTS (50 FT C-C @ TANGENTS, 25 FT C-C @ TAPERS & 12 FT C-C ALONG RADII)



STAGE 2 SUB 1 - PHASE 2
 BRYN MAWR AVENUE STA. 15+00.00 TO STA. 20+44.33
 ARDMORE AVENUE STA. 15+00.00 TO STA. 19+11.91

PATRICK ENGINEERING INC. 4970 VARSITY DRIVE LISLE, IL 60532 patrickengineering.com	USER NAME = okersten(Lisle_R)	DESIGNED - MJV	REVISED -	Illinois Department of Transportation	BRYN MAWR AVENUE / ARDMORE AVENUE SUGGESTED MAINTENANCE OF TRAFFIC TYPICAL SECTIONS - STAGE 2 SUB 1 PHASE 2		F.A. RTE.	SECTION	COUNTY	TOTAL SHEETS	SHEET NO.	
	PLOT CONFIG = PDF0reg_Large.plt	DRAWN - EJB	REVISED -		2578	532B	DUPAGE	781	163	CONTRACT NO. 60477		
	PLOT SCALE = 1:6.86667	CHECKED - CPK	REVISED -		SCALE: 1"=50'		SHEET M0T-57 OF 136	STA.	TO STA.	FED. ROAD DIST. NO. ILLINOIS FED. AID PROJECT		
	PLOT DATE = 12/3/2010	DATE - 12/3/2010	REVISED -									

G:\IDOT\9356_AB_01\53\0-awings\CADD Sheets\DI\9139797-shr-stagingtypical.110-171.dgn