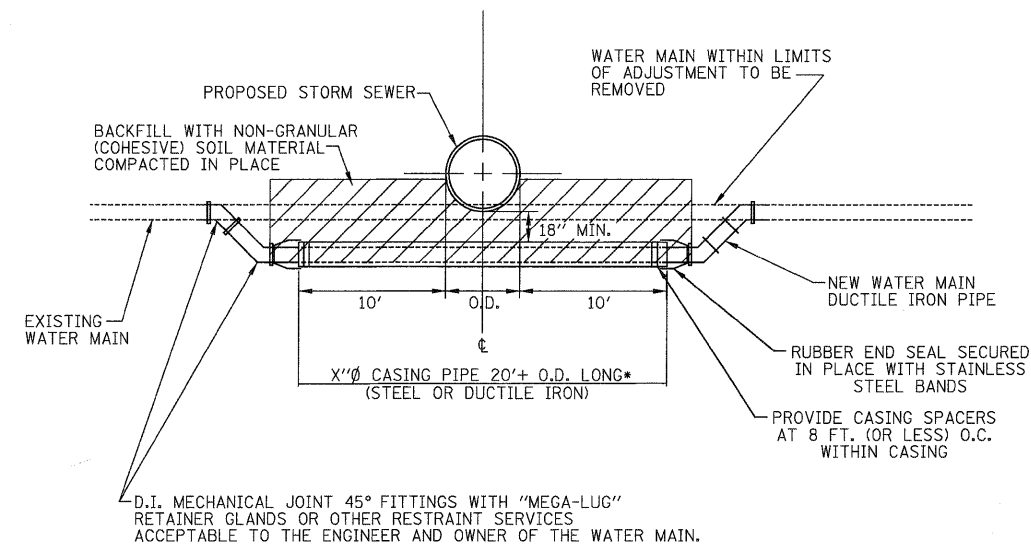


STORM SEWER PIPE SIZE	CASING PIPE SIZE	LENGTH OF CASING PIPE	MIN. WALL THICKNESS
36"	42"	110'	0.375"

RAILROAD STORM SEWER CROSSING  
CASING PIPE DETAIL  
N.T.S.



WATER MAIN ADJUSTMENT DETAIL

WATER MAIN CROSSING NOTES

ADJUSTED WATER MAINS SHALL BE LAID TO PROVIDE A MINIMUM VERTICAL DISTANCE OF 18 INCHES BETWEEN THE INVERT OF THE UPPER PIPE AND THE CROWN OF THE LOWER PIPE.  
ARRANGE CROSSING SO THAT THE SEWER PIPE JOINTS AND THE WATER MAIN PIPE JOINTS ARE EQUIDISTANT FROM THE POINT OF CROSSING (PIPES CENTERED ON THE CROSSING).  
\*WHERE PROPOSED STORM SEWER MEETS WATER MAIN REQUIREMENTS, CASING PIPE SHALL BE OMITTED.