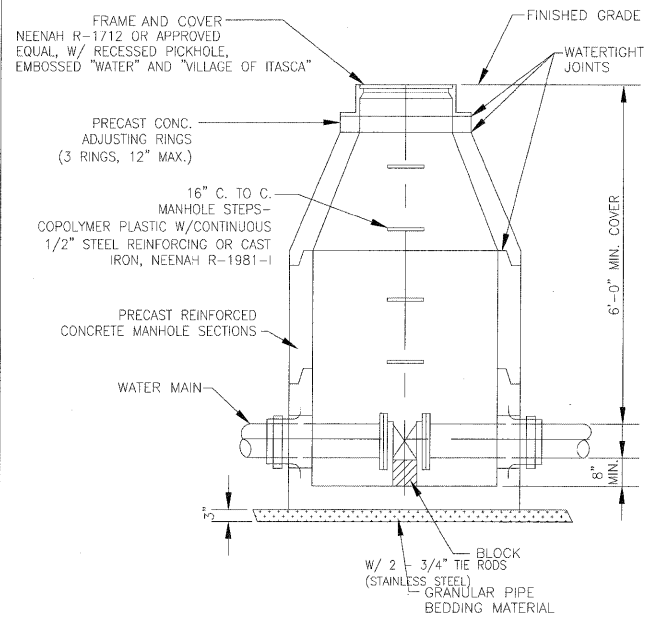


VILLAGE OF ITASCA, ILLINOIS

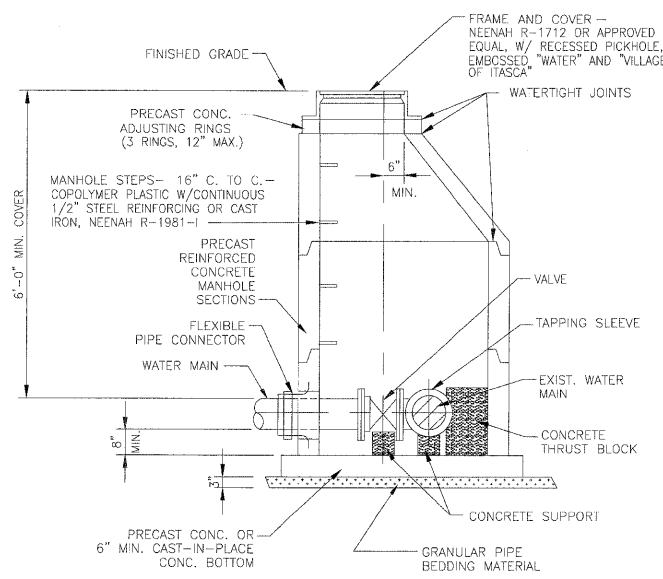
- NOTES:
 1. CONCENTRIC CONE REQUIRED
 2. USE 4'-0" DIAMETER FOR WATER VALVE SIZES 8" AND SMALLER 5'-0" OR LARGER FOR SIZES LARGER THAN 8"



WATER VALVE VAULT DETAIL
NO SCALE

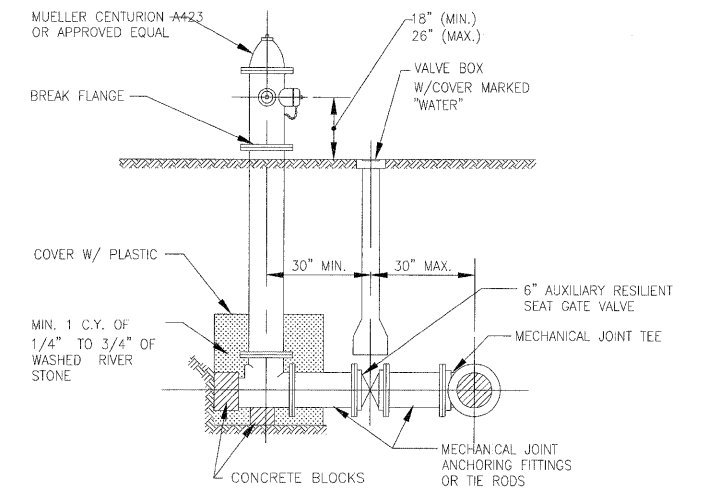
VILLAGE OF ITASCA, ILLINOIS

- NOTES:
 1. ECCENTRIC CONE REQUIRED
 2. USE 4'-0" DIAMETER
 FOR WATER MAIN SIZES 4" THRU 10",
 USE 5'-0" DIAMETER
 FOR WATER MAIN SIZES 12" THRU 20",
 USE 6'-0" DIAMETER
 FOR WATER MAIN SIZES 20" OR GREATER.



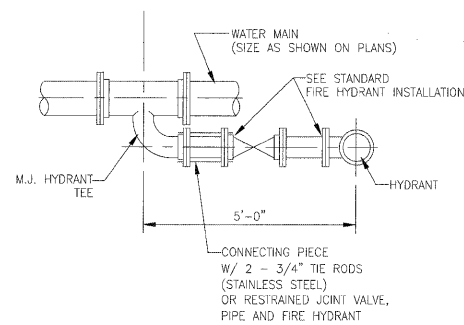
PRESSURE CONNECTION VALVE VAULT DETAIL
NO SCALE

VILLAGE OF ITASCA, ILLINOIS



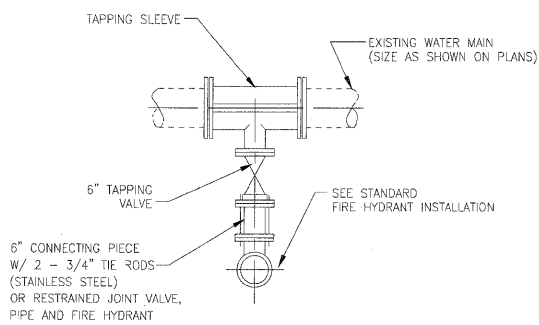
FIRE HYDRANT INSTALLATION DETAIL
NO SCALE

VILLAGE OF ITASCA, ILLINOIS



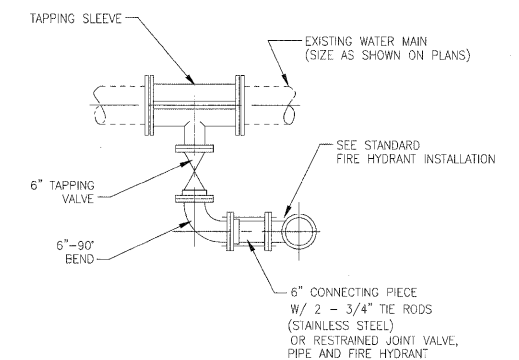
FIRE HYDRANT - 90° CONNECTION
(FOR WATER MAIN SIZES 6" THROUGH 12")
NO SCALE

VILLAGE OF ITASCA, ILLINOIS



FIRE HYDRANT - PRESSURE TAP
NO SCALE

VILLAGE OF ITASCA, ILLINOIS



FIRE HYDRANT - 90° PRESSURE TAP
NO SCALE

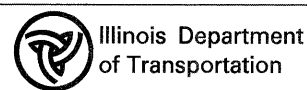
DATE	
BY	
REVISIONS	
NO.	
PLAN	
NO.	
NO.	
NO.	
NO.	
NO.	
NO.	

DATE	
BY	
REVISIONS	
NO.	
PROFILE	
NO.	
NO.	
NO.	
NO.	
NO.	



USER NAME = (username)
 PLOT CONFIG = PDF22X34.plt
 PLOT SCALE = 1:1
 PLOT DATE = 11/24/2010 9:34:51 AM

DESIGNED	- SMV	REVISED	- 8-27-10 VILLAGE REVIEW
DRAWN	- UKB	REVISED	-
CHECKED	- SMV	REVISED	-
DATE	- 7-30-10	REVISED	-



ILLINOIS ROUTE 53
 WATER AND SEWER REPLACEMENT DETAILS

SCALE: NONE SHEET NO. OF STA. TO STA.

F.A.U. RTE.	SECTION	COUNTY	TOTAL SHEETS	SHEET NO.
2578	532B	DUPAGE	781	362
CONTRACT NO. 60477				