

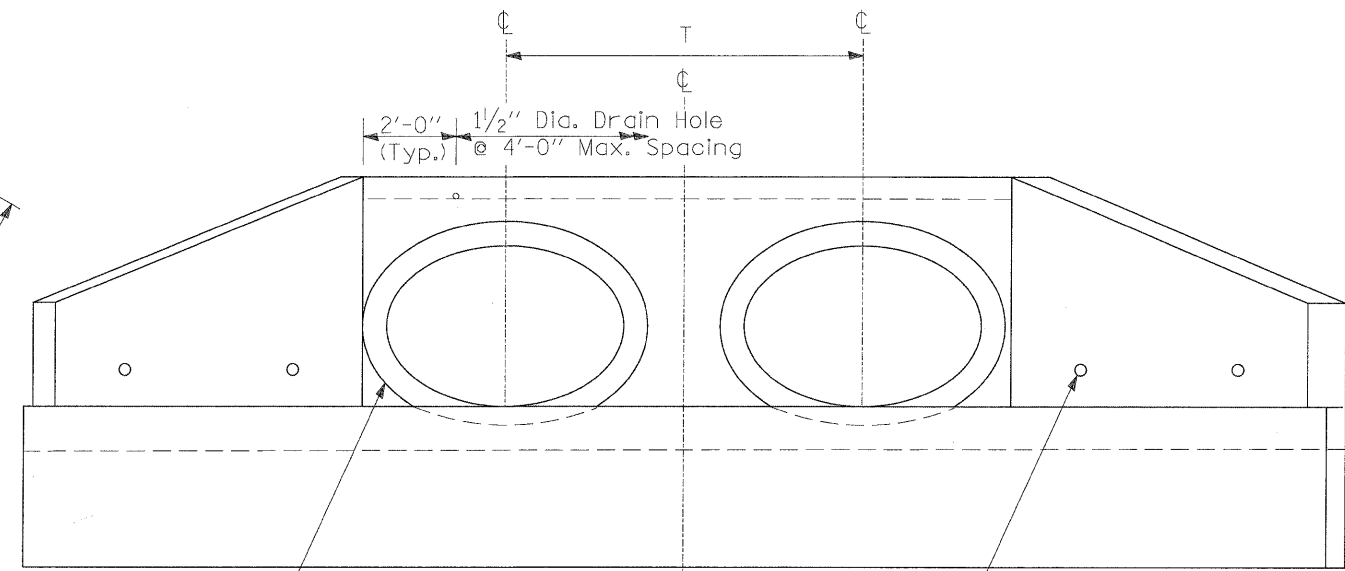
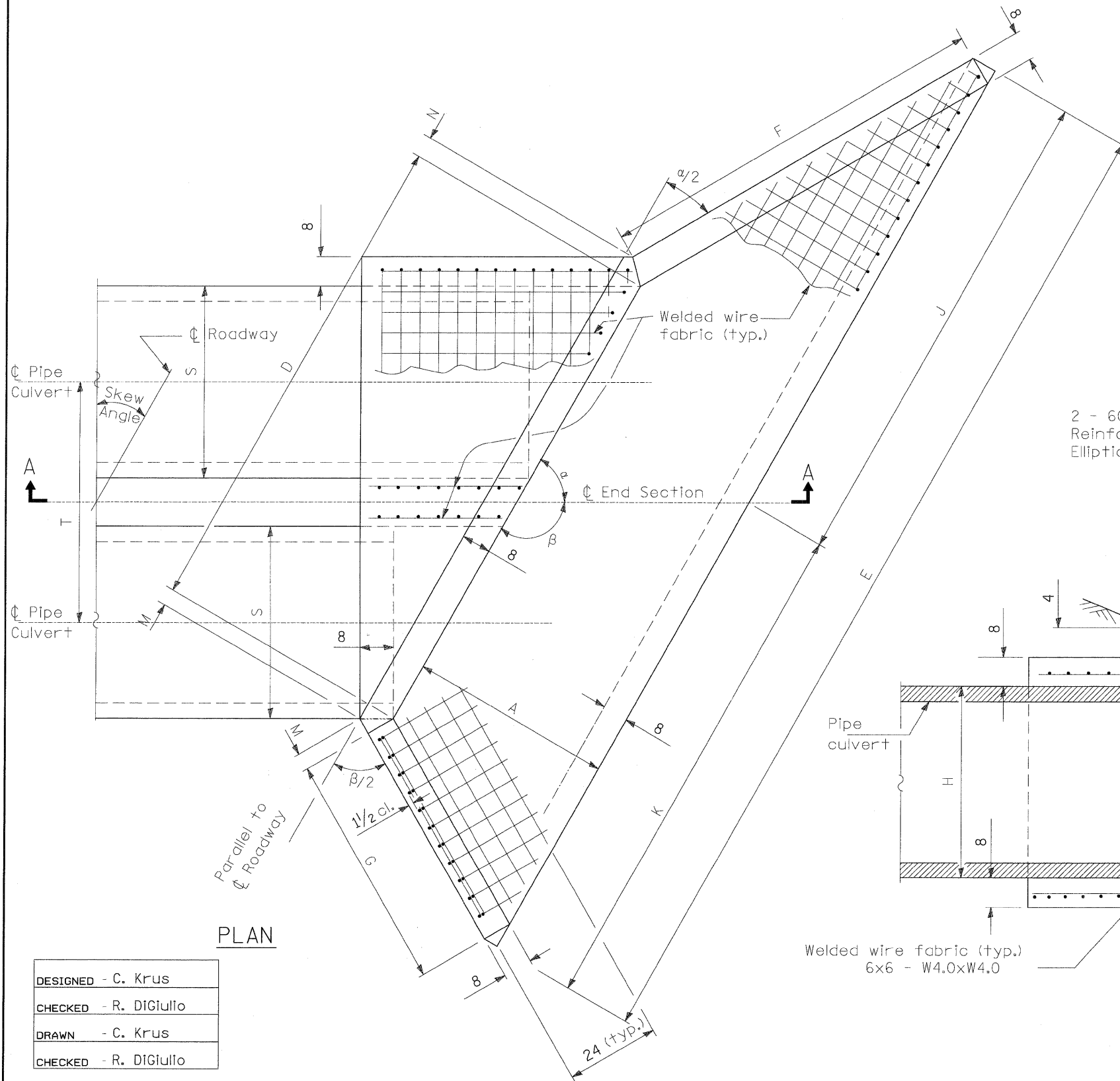
DIMENSION TABLE

Skew Angle	Nominal Pipe Size	Dimensions for Concrete															Concrete 2 End Secs. cu. yd.	Wire Fabric 2 End Secs. sq. yd.
		A	B	C	D	E	F	G	H	J	K	M	N	S	T	$\alpha$		
27.6°	60x36 Elliptical	5'-3 <sup>3</sup> / <sub>4</sub> "	24	4'-7 <sup>1</sup> / <sub>4</sub> "	15'-1 <sup>1</sup> / <sub>4</sub> "	27'-11 <sup>1</sup> / <sub>4</sub> "	10'-0"	6'-2 <sup>1</sup> / <sub>2</sub> "	4'-1"	13'-10 <sup>1</sup> / <sub>2</sub> "	14'-0 <sup>3</sup> / <sub>4</sub> "	4 <sup>1</sup> / <sub>2</sub> "	6"	5'-11"	7'-6"	62.4°	22.4	120

TOTAL BILL OF MATERIAL

ITEM	UNIT	TOTAL
* Cast-In-Place Reinforced Concrete End Sections	CU YD	22.4

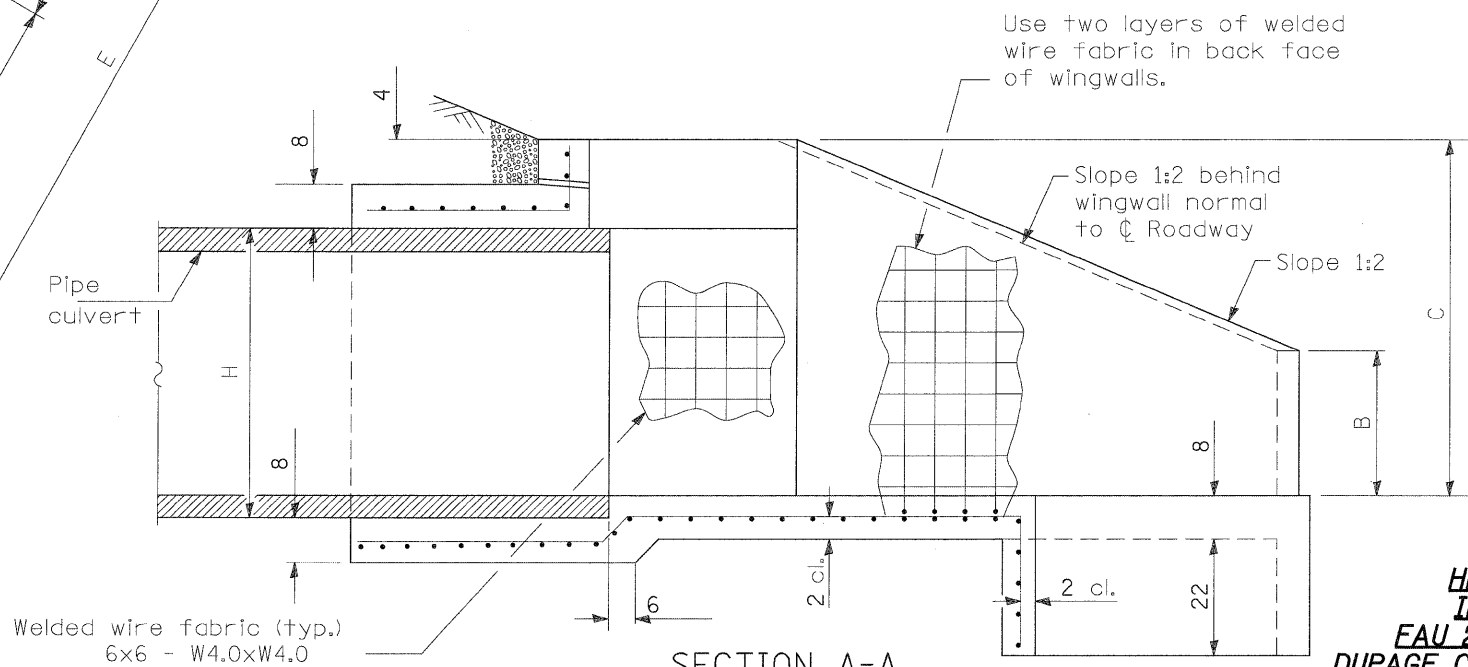
\* See Special Provisions



2 - 60" span x 38" rise Reinforced Concrete Elliptical Pipes

END VIEW

NOTE(S)  
See Drainage Plans for location.



Use two layers of welded wire fabric in back face of wingwalls.

**HEADWALL DETAILS**  
ILLINOIS ROUTE 53  
FAU 2578 SECTION 532B-1  
DUPAGE COUNTY STATION 133+62.93

DESIGNED - C. Krus  
CHECKED - R. DiGiulio  
DRAWN - C. Krus  
CHECKED - R. DiGiulio

PATRICK ENGINEERING INC.  
4970 VARSITY DRIVE  
LISLE, IL 60532  
patrickengineering.com

SHEET NO.  
S4 OF S25

F.A.P RTE.	SECTION	COUNTY	TOTAL SHEETS	SHEET NO.
2578	532B	DUPAGE	781	583
CONTRACT NO. 60477				
12/3/2010	ILLINOIS FED. AID PROJECT			