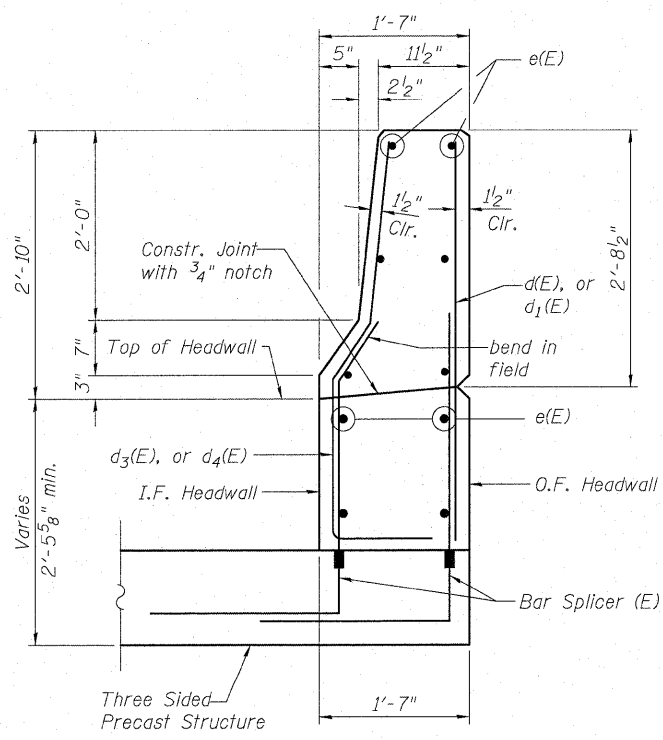
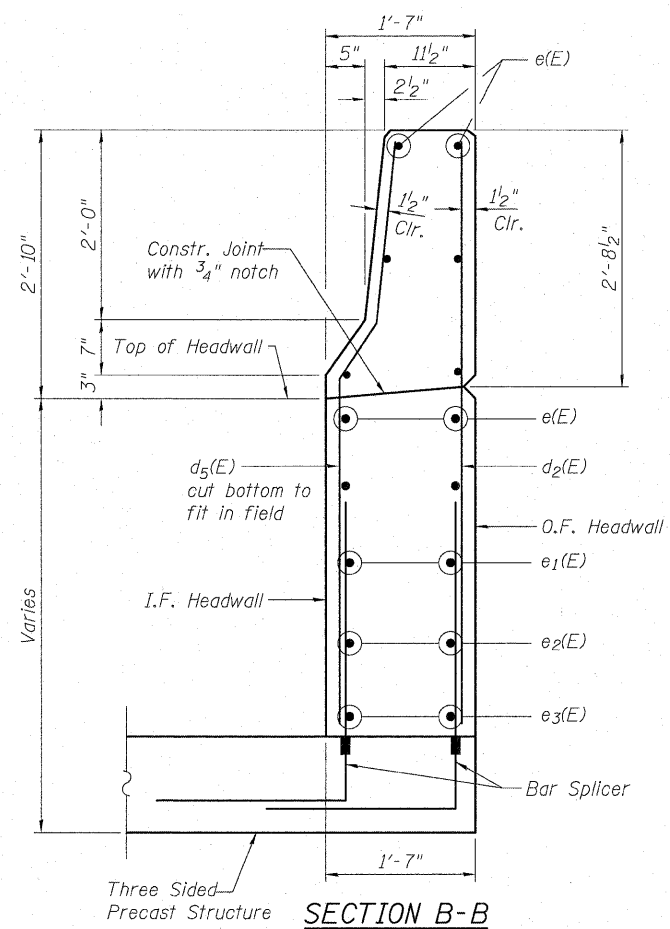


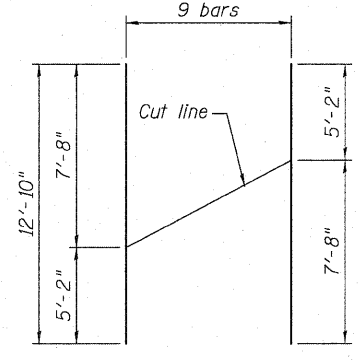
ELEVATION



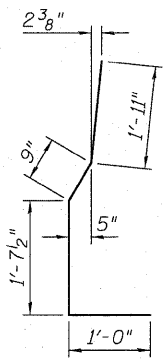
SECTION A-A



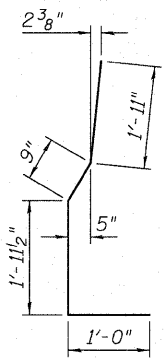
SECTION B-B



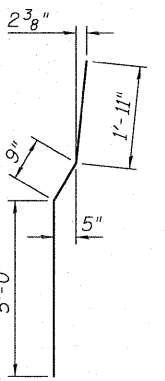
BAR CUTTING DIAGRAM d2(E) BAR



BAR d3(E)

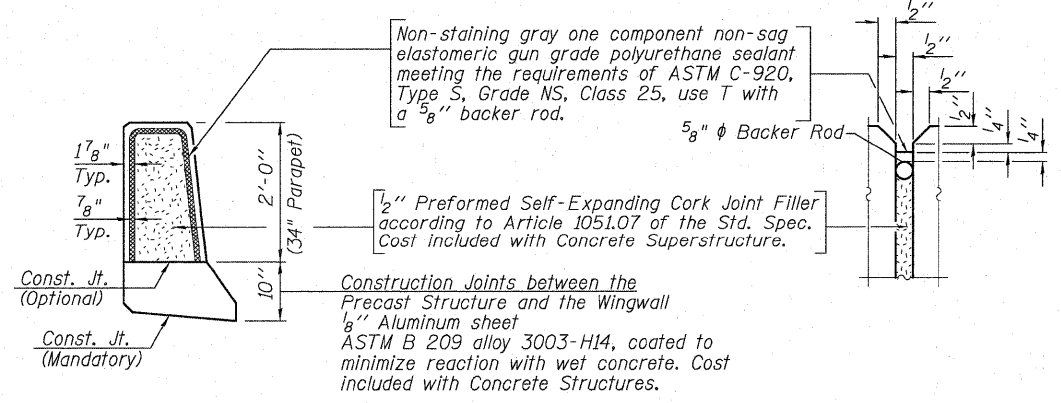


BAR d4(E)



BAR d5(E)

Note: Cut bar d5(E) in field to fit



PARAPET JOINT DETAILS BETWEEN THE PRECAST STRUCTURE AND THE WINGWALL

BILL OF MATERIAL HEADWALLS AND PARAPETS

Bar	No.	Size	Length	Shape
d1(E)	24	#5	4'-1"	—
d1(E)	16	#5	4'-6"	—
d2(E)	18	#5	12'-10"	—
d3(E)	24	#5	5'-4"	~
d4(E)	16	#5	5'-8"	~
d5(E)	36	#5	7'-8"	~
e(E)	20	#4	33'-8"	—
e1(E)	8	#4	5'-0"	~
e2(E)	8	#4	8'-3"	~
e3(E)	8	#4	11'-6"	~
Concrete Structures		Cu. Yd.	19.1	
Protective Coat		Sq. Yd.	30	
Reinforcement Bars, Epoxy Coated		Pound	1,520	
Bar Splicers		Each	48	

BARS e1(E), e2(E) & e3(E)