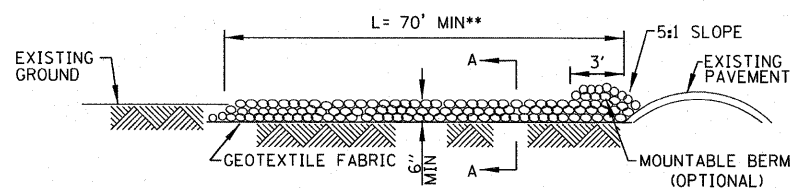
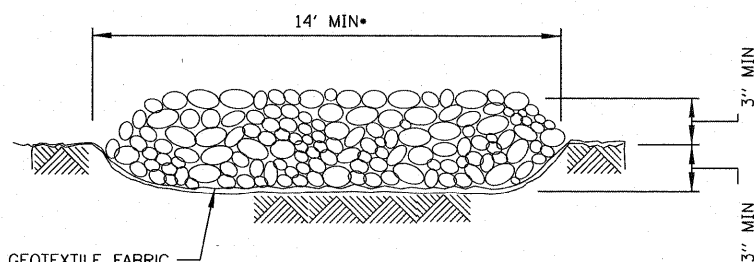


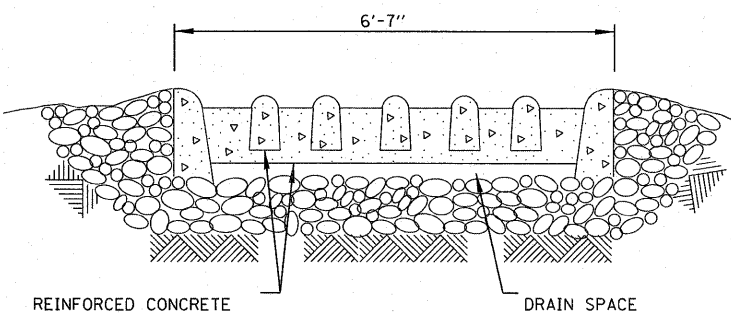
PLAN VIEW



SIDE ELEVATION



SECTION A-A



SECTION B-B

- 24' MIN FOR TWO WAY TRAFFIC. MUST EXTEND FULL WIDTH OF INGRESS AND EGRESS OPERATION
- UNLESS OTHERWISE DIRECTED BY THE ENGINEER.

STABILIZED CONSTRUCTION ENTRANCE

NOTES:

1. GEOTEXTILE FABRIC SHALL MEET THE REQUIREMENTS OF ARTICLE 1080.02: "GEOTEXTILE FABRIC FOR GROUND STABILIZATION" AND SHALL BE PLACED ACCORDING TO ARTICLE 210.03: "INSTALLATION REQUIREMENTS."
2. THE COARSE AGGREGATE SHALL MEET EITHER IDOT COARSE AGGREGATE GRADATION CA-2 OR CA-4 (UNLESS OTHERWISE DIRECTED BY THE ENGINEER) AND BE PLACED ACCORDING TO ARTICLE 402.10: "FOR TEMPORARY ACCESS."
3. ANY DRAINAGE FACILITIES REQUIRED BECAUSE OF WASHING SHALL BE CONSTRUCTED ACCORDING TO MANUFACTURERS SPECIFICATIONS.
4. IF WASH RACKS ARE USED THEY SHALL BE INSTALLED ACCORDING TO THE MANUFACTURER'S SPECIFICATIONS.
5. EXISTING DITCH DRAINAGE TO BE MAINTAINED.
6. THE CONTRACTOR SHALL PLACE ENTRANCES AT LOCATIONS AS APPROVED BY THE ENGINEER.
7. THE INSTALLATION, MAINTENANCE, AND REMOVAL OF THE ENTRANCES WILL NOT BE PAID FOR SEPARATELY BUT WILL BE CONSIDERED INCIDENTAL TO THE CONTRACT.

FILE NAME = D160K64-SHT-EROS05.dgn	USER NAME = jletour	DESIGNED - JCL	REVISED -
		DRAWN - JCL	REVISED -
	PLOT SCALE = 1:50	CHECKED - MJT	REVISED -
	PLOT DATE = 1/27/2011	DATE - 12/17/10	REVISED -

**STATE OF ILLINOIS
DEPARTMENT OF TRANSPORTATION**

EROSION AND SEDIMENT CONTROL DETAILS

SCALE: NONE SHEET NO. 1 OF 1 SHEETS STA. TO STA.

F.A.P. RTE.	SECTION	COUNTY	TOTAL SHEETS	SHEET NO.
330	73 R-B	COOK	136	31
ED-01			CONTRACT NO. 60K64	
<small>ILLINOIS FED. AID PROJECT</small>				