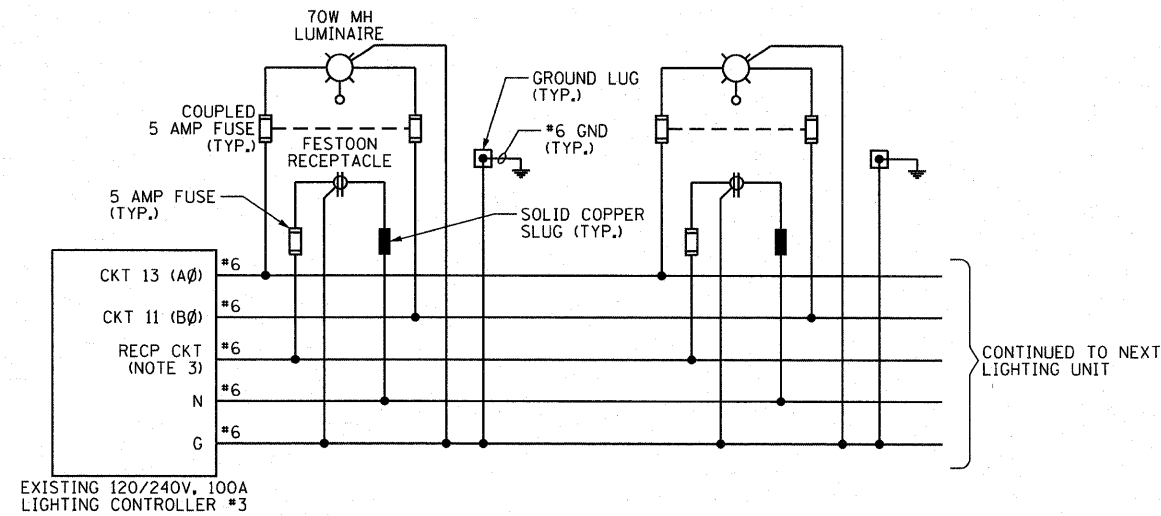
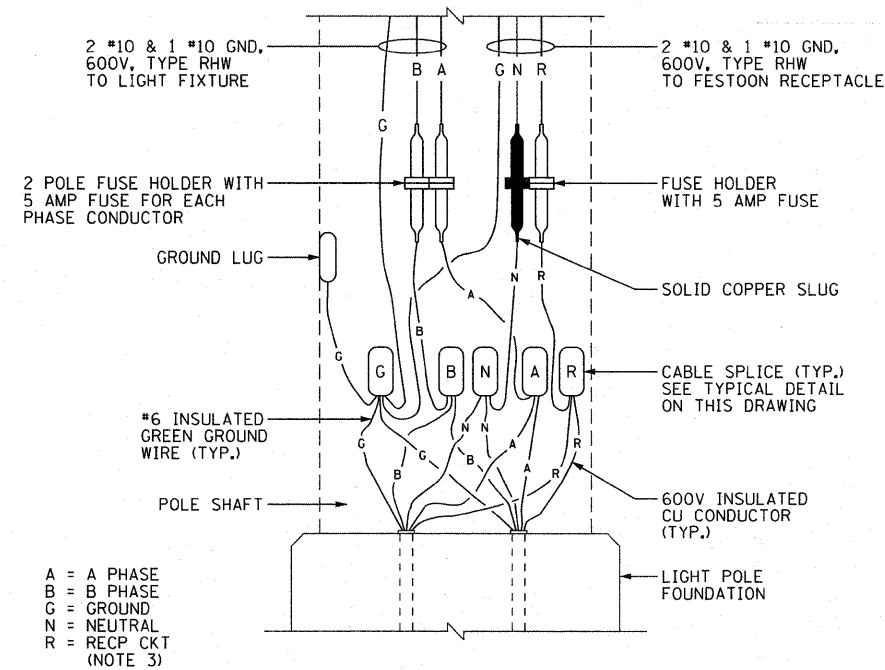


NOTES:

- SEE DRAWING GE-1 FOR ELECTRICAL SYMBOL LIST, ABBREVIATIONS, AND GENERAL NOTES.
- FURNISH AND INSTALL NEW CIRCUIT BREAKERS IN EXISTING SPACES AS SHOWN ON LP-4 SCHEDULE. THE RATING OF NEW BREAKERS SHALL MATCH THE SHORT CIRCUIT RATING OF EXISTING CIRCUIT BREAKERS IN PANEL LP-4. THE COST OF ALL NEW CIRCUIT BREAKERS IN PANELBOARD LP4 SHALL BE INCLUDED IN THE "RELOCATE EXISTING LIGHTING CONTROLLER" PAY ITEM.
- "RECEPTACLE CIRCUIT" REFERS TO PANELBOARD LP-4, CIRCUITS 15 OR 17. REFER TO DRAWINGS RL-2 THRU RL-5 FOR RECEPTACLE CIRCUITING INFORMATION.



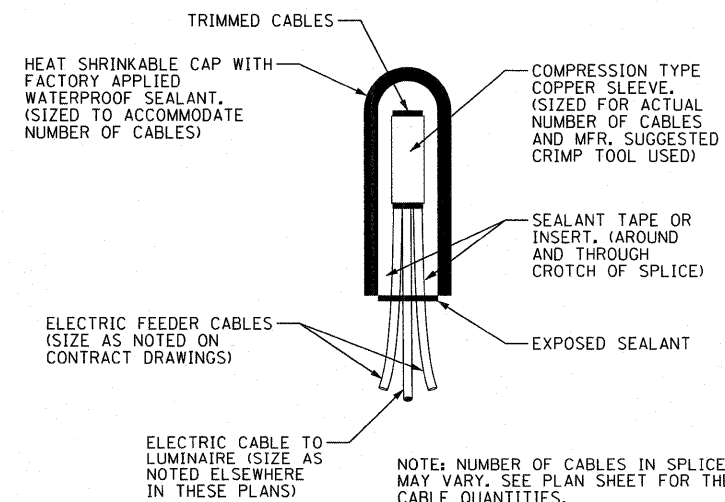
TYPICAL PATH LIGHTING WIRING DIAGRAM
N.T.S.



TYPICAL POLE BASE WIRING DETAIL
N.T.S. (TYP. FOR TYPE 4A & 4B UNITS)

EQUIPMENT DESCRIPTION		VOLT-AMPS		BRKR SIZE		NEUT. BAR		BRKR SIZE		VOLT-AMPS		EQUIPMENT DESCRIPTION	
AØ	BØ	AØ	BØ	SIZE	GRD. BAR	SIZE	GRD. BAR	SIZE	GRD. BAR	AØ	BØ	AØ	BØ
PRECAST SIGN FLOODLIGHTS		350		20	1	20	2	20	300			TRANSFORMER - TR1	
TWIST-LOCK RECEPTACLE			2880	30	3	30	4	30		2880		TWIST-LOCK RECEPTACLE	
PHOTOCELL CIRCUIT			-	20	7	20	8	20		280		INTERIOR CABINET RECEPTACLE	
LAWN SPRINKLER CONTROLS		100		20	9	20	10	20		-		SPARE	
PATH LIGHTING			512	20	11	20	12	20		920		LAWN SPRINKLER PUMP	
POLE RECEPTACLES				20	15	20	16	20		500		UNDERPASS LUMINAIRES	
POLE RECEPTACLES		720		20	17	20	18	2	500				
SPARE			-	20	19	20	20	-	-	-	-	SPACE	
SPARE			-	20	21	20	22	-	-	-	-	SPACE	
SPACE			-	-	23	-	24	-	-	-	-	SPACE	
SPACE			-	-	25	-	26	-	-	-	-	SPACE	
TOTAL "A"		4562							4600			TOTAL "A"	
TOTAL "B"			4652							4580		TOTAL "B"	
TOTAL "A,B"					9162		9232					TOTAL "A,B"	
TOTAL AMPS:					76.6								

NOTE:
HEAVY TONE LINEWORK AND TEXT REPRESENTS NEW WORK AND
LIGHT TONE REPRESENTS EXISTING TO REMAIN.



TYPICAL SPLICE DETAIL
N.T.S.