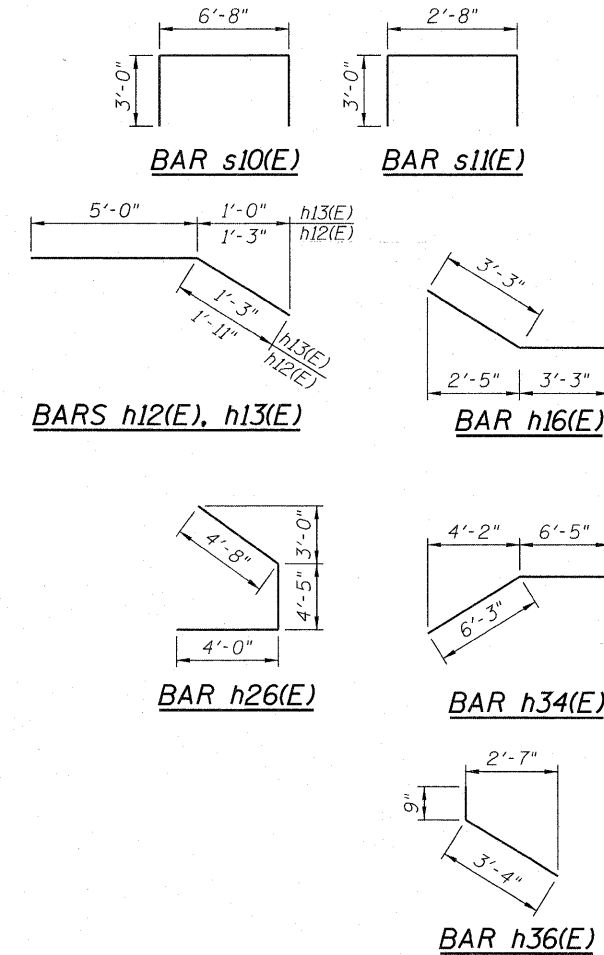
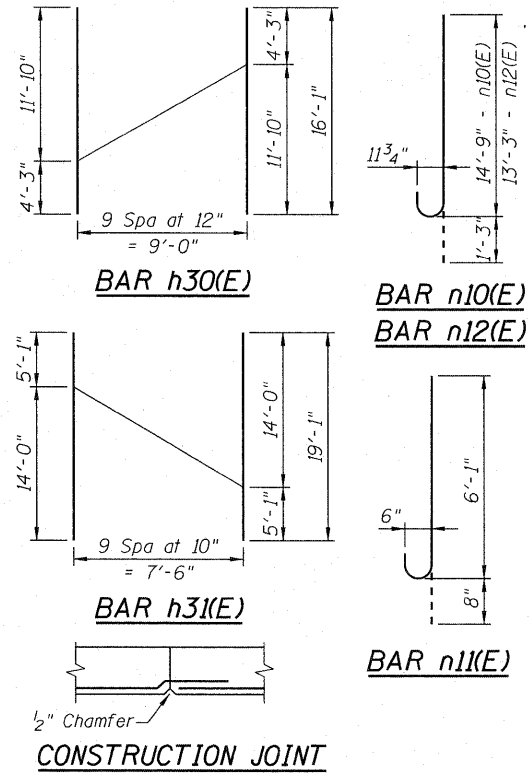
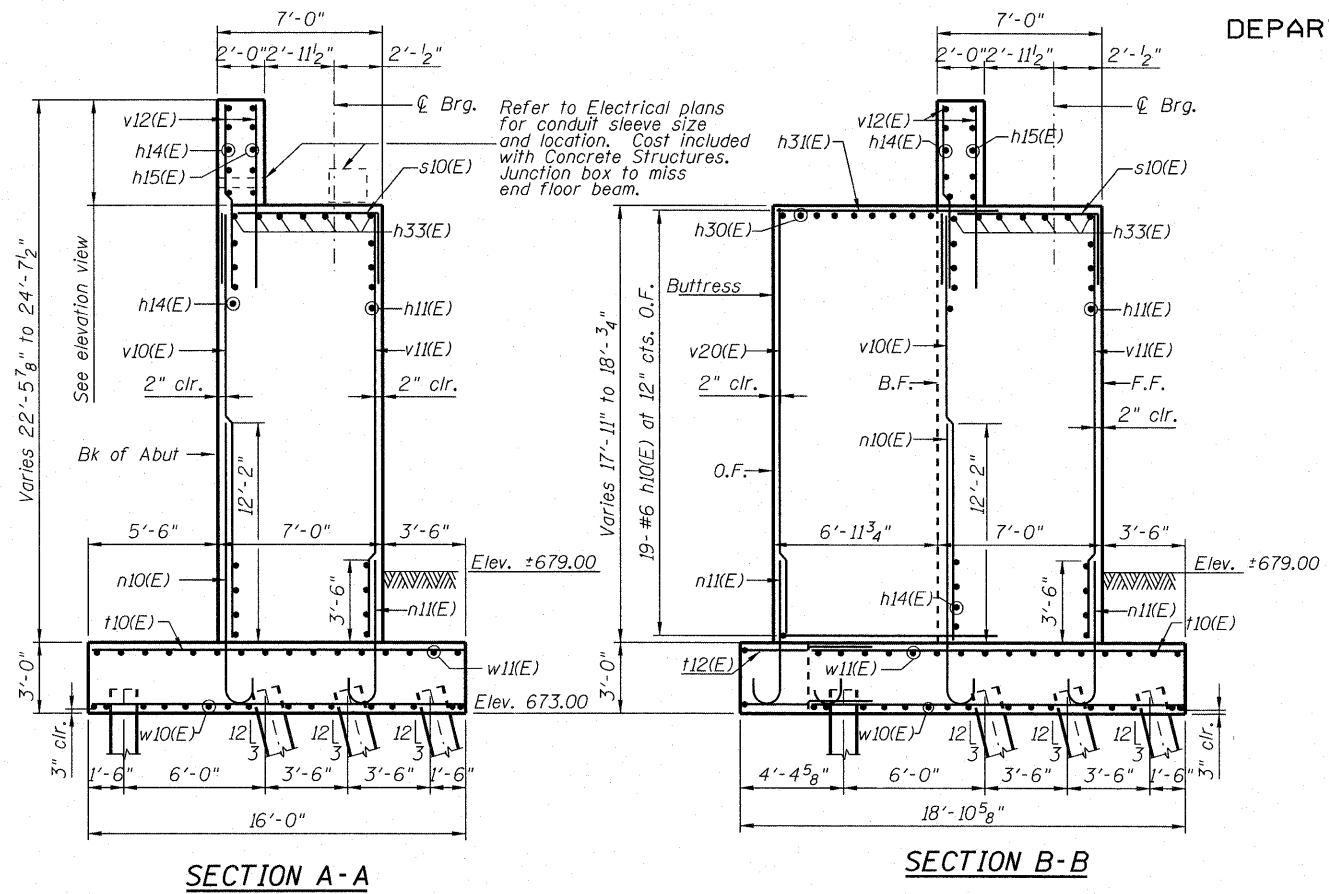


STATE OF ILLINOIS
DEPARTMENT OF TRANSPORTATION

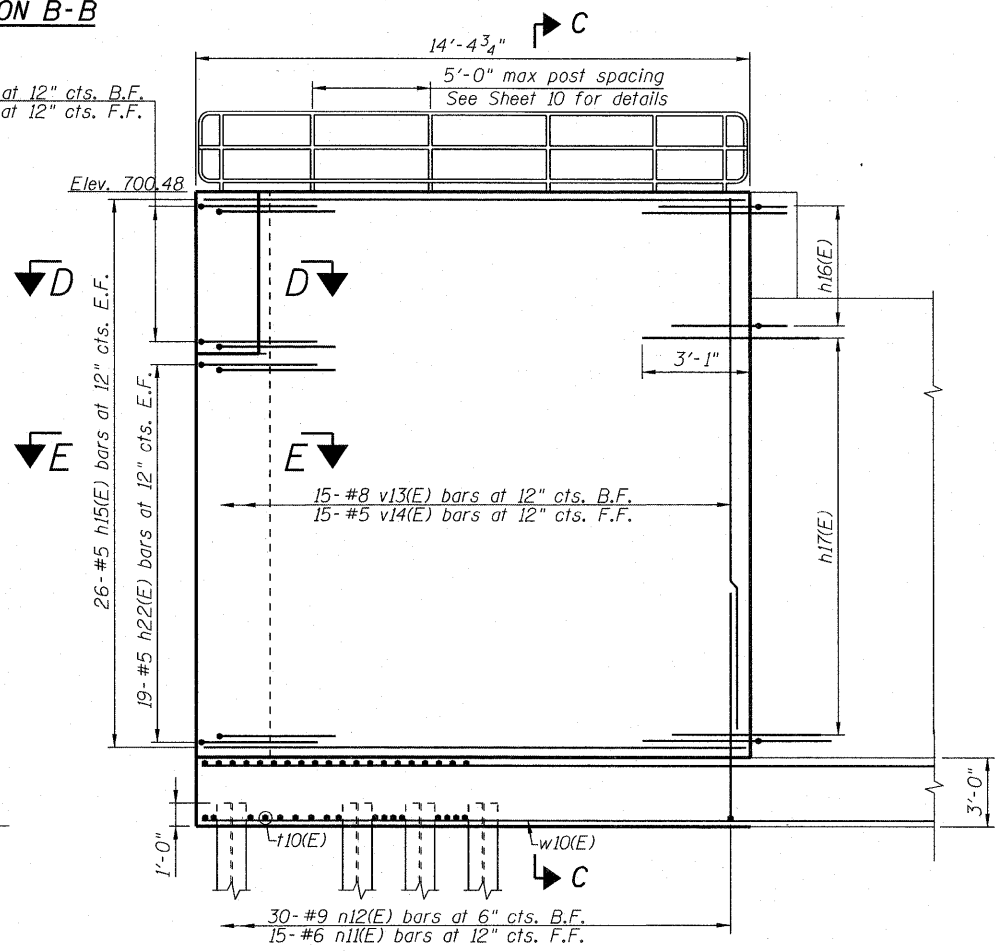
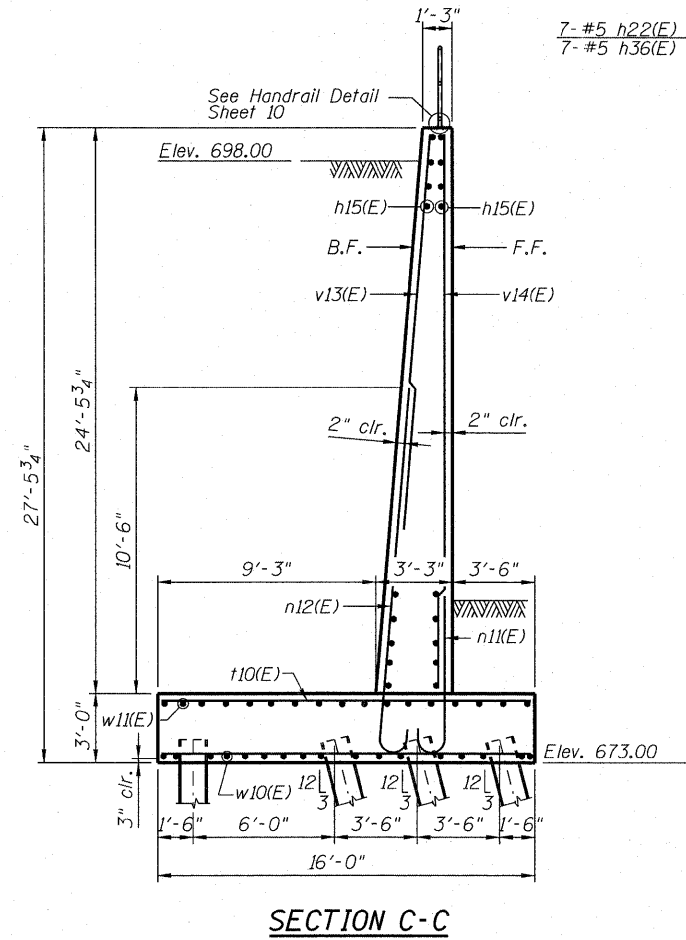
BILL OF MATERIAL



Bar	No.	Size	Length	Shape
h10(E)	38	#6	25'-11"	
h11(E)	36	#5	32'-8"	
h12(E)	7	#5	6'-11"	
h13(E)	26	#5	6'-3"	
h14(E)	48	#5	27'-6"	
h15(E)	52	#5	14'-1"	
h16(E)	14	#5	6'-6"	
h17(E)	52	#5	6'-3"	
h18(E)	8	#5	3'-6"	
h22(E)	78	#5	5'-11"	
h26(E)	19	#5	13'-1"	
h30(E)	10	#6	16'-1"	
h31(E)	10	#6	19'-1"	
h32(E)	10	#5	28'-6"	
h33(E)	14	#6	33'-3"	
h34(E)	24	#5	12'-8"	
h36(E)	7	#5	4'-1"	
n10(E)	114	#9	16'-0"	
n11(E)	120	#6	6'-9"	
n12(E)	30	#9	14'-6"	
s10(E)	54	#5	12'-8"	
s11(E)	8	#5	8'-8"	
t10(E)	252	#8	15'-8"	
t11(E)	36	#8	9'-0"	
t12(E)	4	#8	18'-0"	
t14(E)	4	#8	9'-8"	
w10(E)	48	#5	28'-7"	
w11(E)	48	#5	29'-0"	
v10(E)	57	#9	17'-6"	
v11(E)	62	#5	17'-6"	
v12(E)	80	#6	7'-6"	
v13(E)	16	#8	20'-3"	
v14(E)	16	#5	24'-1"	
v19(E)	32	#6	9'-6"	
v20(E)	42	#6	17'-8"	

Porous Granular Embankment	Cu. Yd.	301
Structure Excavation	Cu. Yd.	793
Concrete Structures	Cu. Yd.	548.7
Reinforcement Bars, Epoxy Coated	Pound	40,680
Furnishing Steel Piles, HP14x117	Foot	6,618
Driving Piles	Foot	6,618
Test Pile Steel, HP14x117	Each	1
Concrete Sealer	Sq. Ft.	2,118
Geocomposite Wall Drain	Sq. Yd.	220
Pipe Drains 4"	Foot	15
Pipe Underdrains For Structures 4"	Foot	88

Bar	"A"	"B"
h10(E)	11'-10"	14'-1"
h22(E)	2'-11"	3'-0"
t12(E)	9'-0"	9'-0"



BAR h10(E), h22(E)
BAR t12(E)

DESIGNED - JCE
CHECKED - JCA
DRAWN - JCE
CHECKED - JCA

SECTION C-C

ELEVATION
(Looking West)

McDonough Associates Inc.
Engineers / Architects
130 East Randolph Street Chicago, Illinois 60601

SHEET NO. 16 25 SHEETS	F.A.P RTE.	SECTION	COUNTY	TOTAL SHEETS	SHEET NO.
	330	73 R-B	COOK	136	68
CONTRACT NO. 60K64					
DATE: 12/17/10		ILLINOIS FED. AID PROJECT			

WEST ABUTMENT SECTIONS AND BOM
STRUCTURE NO. 016-6201

Bars indicated thus 1 x 3-#5 etc. indicates 1 line of bars with 3 lengths per line.
Space reinforcement in abutment to miss anchor bolts.
For Sections D-D & E-E see sheet 14.