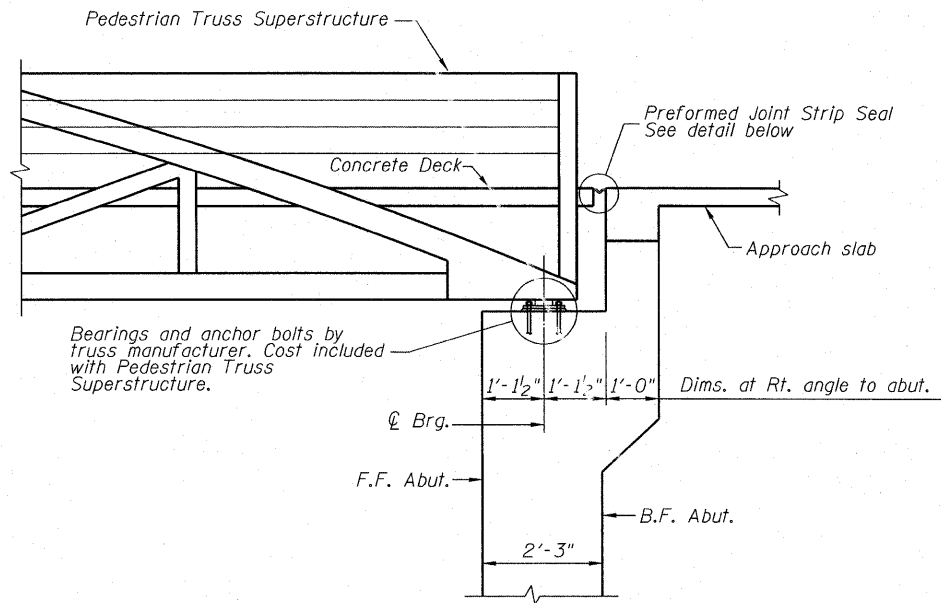
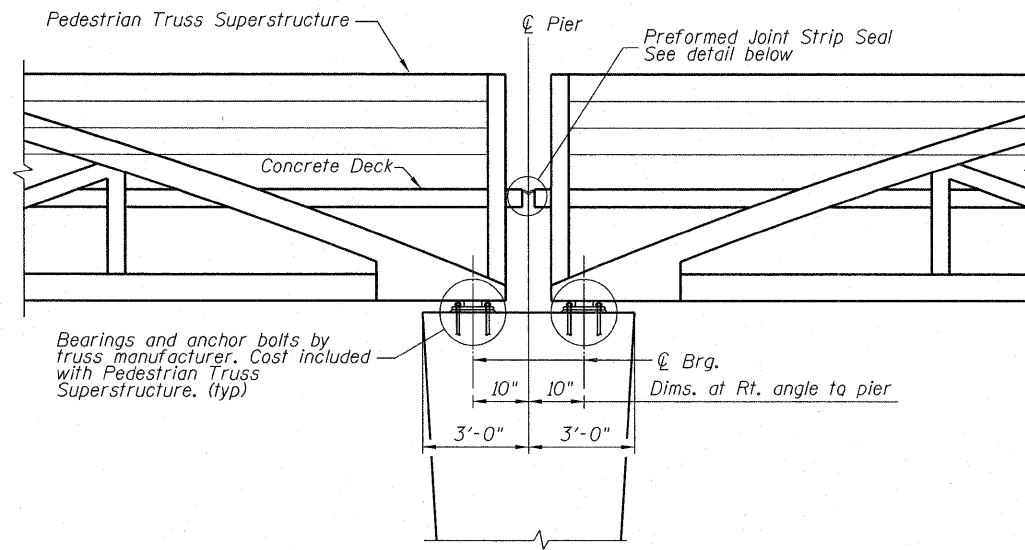


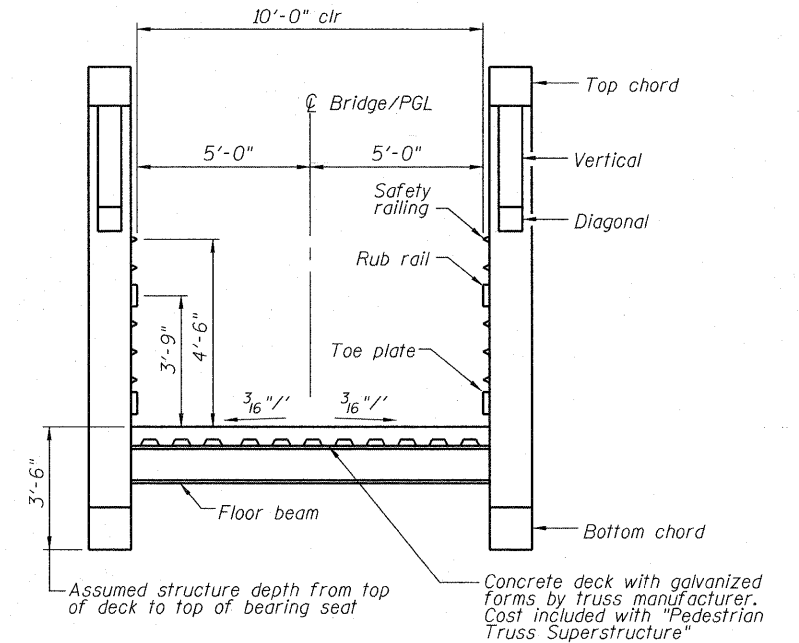
STATE OF ILLINOIS
DEPARTMENT OF TRANSPORTATION



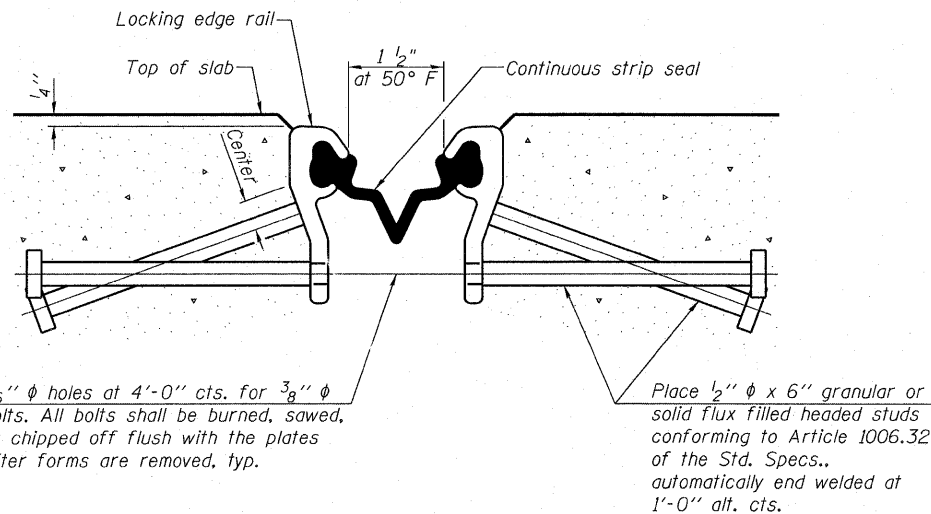
SECTION THRU ABUTMENT JOINT



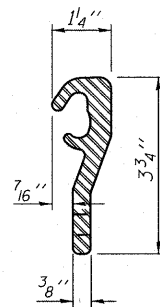
SECTION THRU PIER JOINT



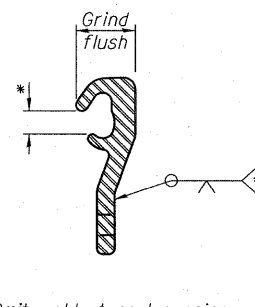
SECTION THRU TRUSS



SECTION THRU EXPANSION STRIP SEAL JOINT

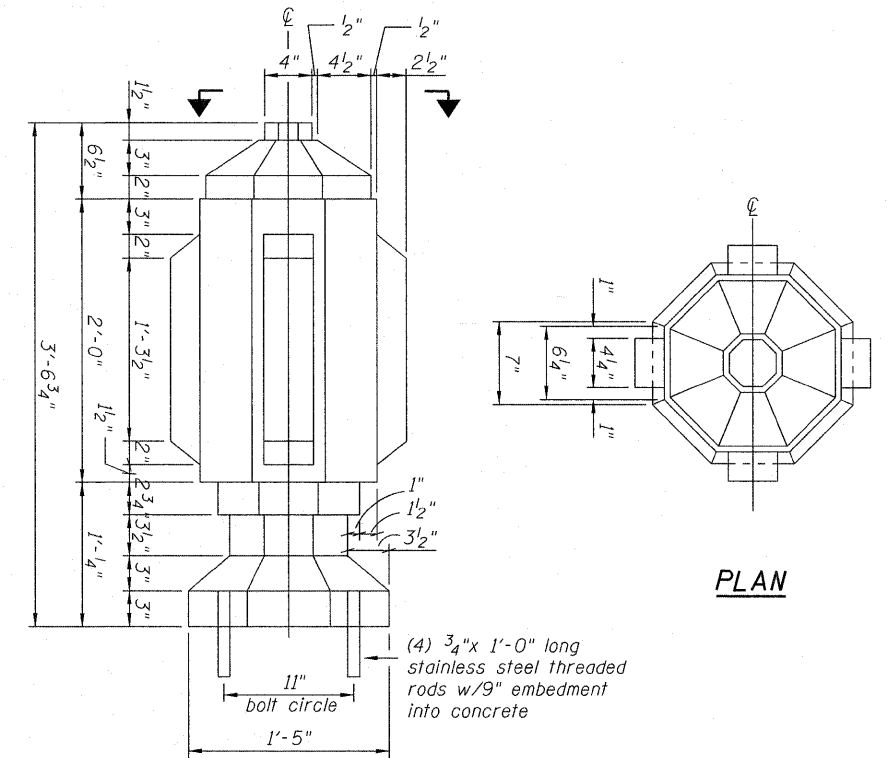


LOCKING EDGE RAIL



LOCKING EDGE RAIL SPLICE

Notes:
The strip seal shall be made continuous and shall have a minimum thickness of 1/4". The configuration of the strip seal shall match the configuration of the Locking Edge Rails.
The height and thickness of the Locking Edge Rails shown are minimum dimensions. The actual configuration of the Locking Edge Rails and matching strip seal may vary from manufacturer to manufacturer. Flanged edge rails will not be allowed.
The inside of the Locking Edge Rail groove shall be free of weld residue.
Locking Edge Rails may be spliced at slope discontinuities and stage construction joints.
The manufacturer's recommended installation methods shall be followed.



ELEVATION

PLAN

PRECAST ORNAMENTAL FIXTURE

BILL OF MATERIAL

Item	Unit	Total
Preformed Joint Strip Seal	Foot	46.5'

DESIGNED	JCE
CHECKED	GEK
DRAWN	JCE
CHECKED	GEK

SUPERSTRUCTURE DETAILS
STRUCTURE NO. 016-7702

SHEET NO. 4 12 SHEETS	F.A.P RTE.	SECTION	COUNTY	TOTAL SHEETS	SHEET NO.
	330	73 R-B	COOK	136	81
DATE: 12/17/10			CONTRACT NO. 60K64		
ILLINOIS			FED. AID PROJECT		

McDonough Associates Inc.
Engineers / Architects
130 East Randolph Street Chicago, Illinois 60601