

STATE OF ILLINOIS  
DEPARTMENT OF TRANSPORTATION

BILL OF MATERIAL

Bar	No.	Size	Length	Shape
h5(E)	8	#5	32'-0"	
h6(E)	12	#5	40'-4"	
h7(E)	6	#5	18'-0"	
n1(E)	31	#8	7'-8"	
s(E)	19	#4	5'-3"	
t2(E)	46	#8	9'-8"	
v5(E)	14	#5	12'-1"	
v6(E)	8	#5	16'-9"	
v7(E)	11	#5	8'-2"	
v8(E)	5	#5	9'-8"	
v9(E)	23	#5	8'-9"	
v10(E)	38	#5	8'-8"	
w1(E)	22	#5	22'-0"	
Structure Excavation				Cu. Yd. 169
Concrete Structures				Cu. Yd. 50.1
Reinforcement Bars, Epoxy Coated				Pound 4,300
Furnishing Steel Piles HP12x53				Foot 226
Driving Piles				Foot 226
Test Pile Steel HP12x53				Each 1

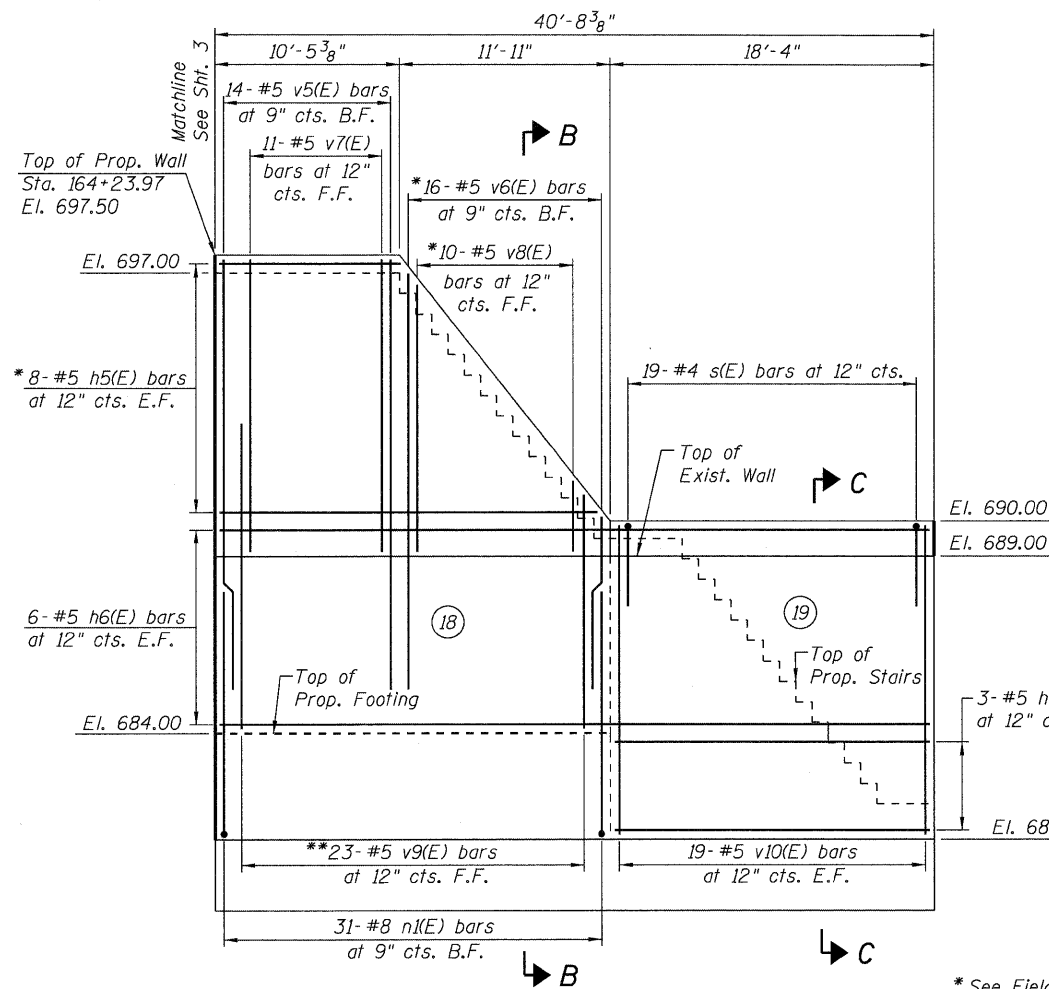
NOTES:

Bars indicated thus 1 x 3-#5 etc. indicates 1 line of bars with 3 lengths per line.

LEGEND:

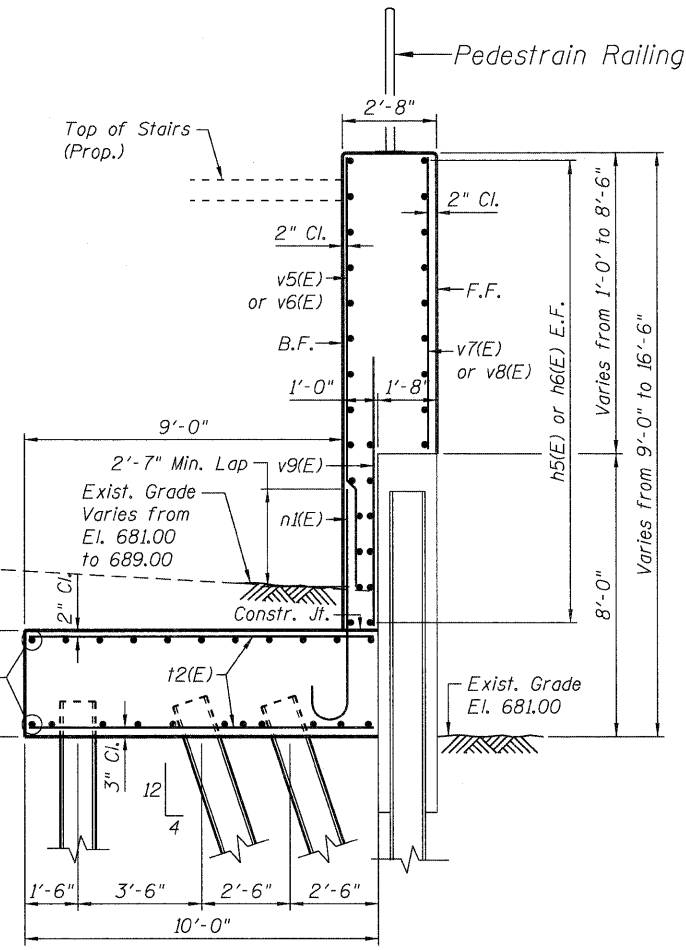
F.F. = Front Face of Wall  
B.F. = Back Face of Wall  
E.F. = Each Face of Wall

(14) = Panel No.



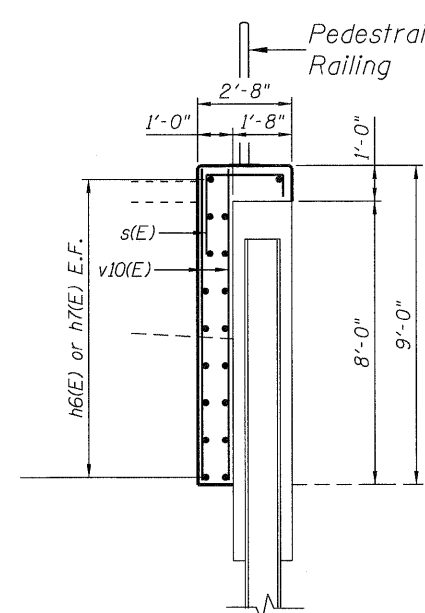
WALL ELEVATION

Panels 18 & 19  
(Looking North at Front Face of Wall)



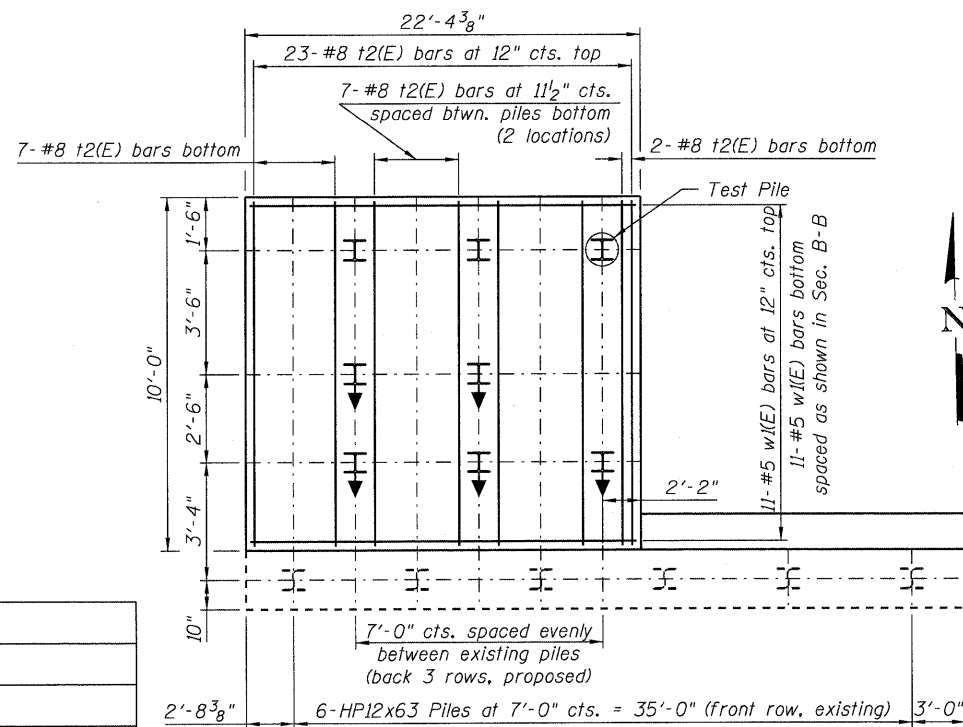
SECTION B-B

Panel 18

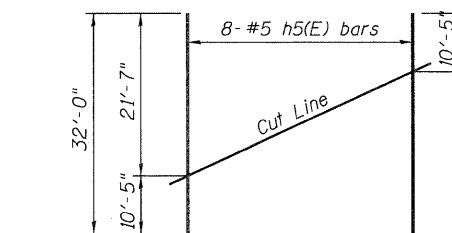


SECTION C-C

Panel 20

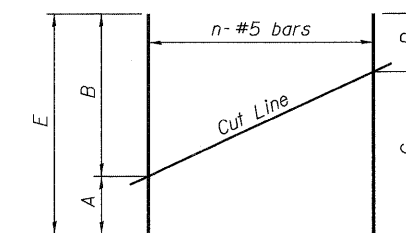


FOOTING PLAN



h5(E) BAR FIELD CUTTING DIAGRAM

Order h5(E) bars full length. Cut as shown and use remainder of bars in opposite face.



v6(E) & v8(E) BAR FIELD CUTTING DIAGRAM

Order bars full length and cut as shown.

Bar	A	B	C	D	E	n
v6(E)	4'-10"	11'-11"	8'-7"	8'-2"	16'-9"	8
v8(E)	2'-0"	7'-8"	5'-2"	4'-6"	9'-8"	5

PILE DATA

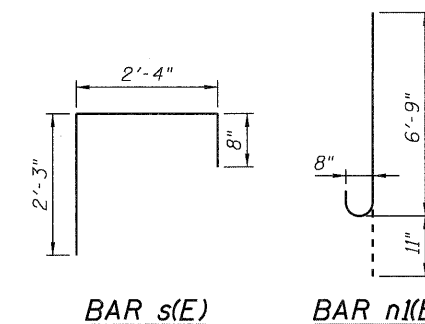
TYPE: Steel HP12x53  
Nominal required bearing = 322 kips  
Allowable resistance available = 100 kips  
EST. LENGTH: 31 feet (vertical)  
No. REQ'D: 8 (Includes one test pile)

- Straight Pile (no batter)
- Battered Pile
- Existing Straight Pile (no batter)

DESIGNED	PMH
CHECKED	KJH
DRAWN	PMH
CHECKED	KJH

SHEET NO. 4 23 SHEETS	F.A.P. RTE. 330	SECTION 73 R-B	COUNTY COOK	TOTAL SHEETS 136	SHEET NO. 93
	CONTRACT NO. 60K64				
DATE: 12/17/10		ILLINOIS FED. AID PROJECT			

PLAN & ELEVATION  
PANELS 18-19



McDonough Associates Inc.  
Engineers / Architects  
130 East Randolph Street Chicago, Illinois 60601