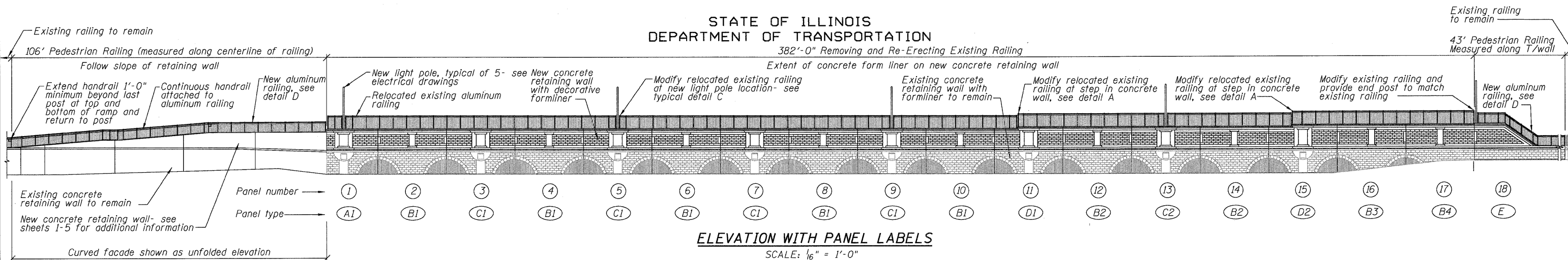


STATE OF ILLINOIS
DEPARTMENT OF TRANSPORTATION



ELEVATION WITH PANEL LABELS

SCALE: 1/16" = 1'-0"

BILL OF MATERIAL

ITEM	UNIT	TOTAL
Removing and Re-Erecting Existing Railing	Foot	382
Pedestrian Railing	Foot	280
Form Liner Textured Surface	Sq. Ft.	3200

Pedestrian Railing Notes:

1. Provide concrete foundation per Detail G at railings not located on top of concrete walls. This is included in the Pedestrian Railing pay item and will not be paid for separately.

2. Provide continuous handrails mounted to rail post where indicated. This is included in the Pedestrian Railing pay item and will not be paid for separately.

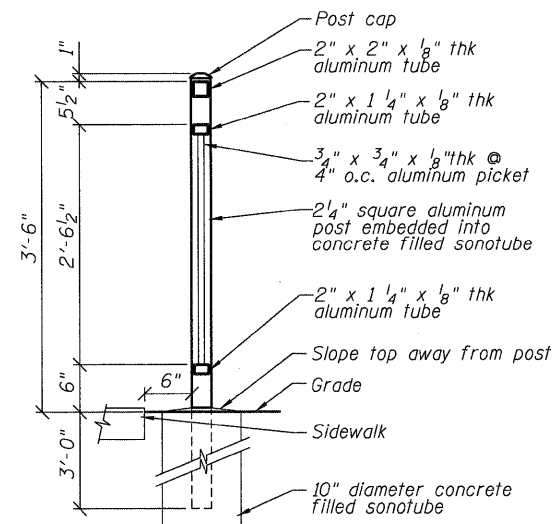
Removing and Re-Erecting Existing Railing notes:
(All items listed below to be included in this pay item)

1. Provide 4 new 1/2" diameter stainless steel expansion anchors with minimum 3/2" embedment depth at each railing post.

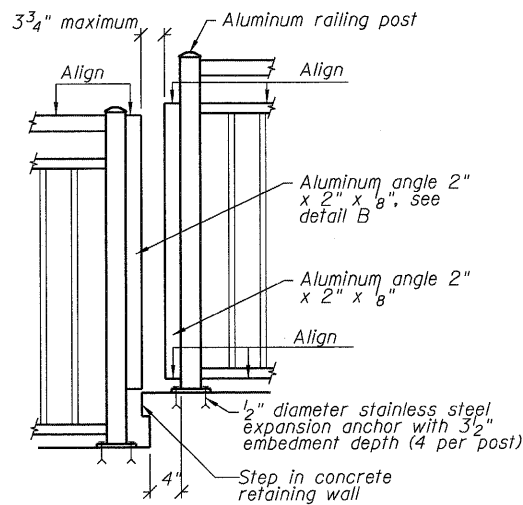
2. Modify existing railing segments to conform with new configuration.

3. Provide additional posts to match existing and to accommodate new configuration.

Note:
See sheets 1 through 6 for additional structural information.

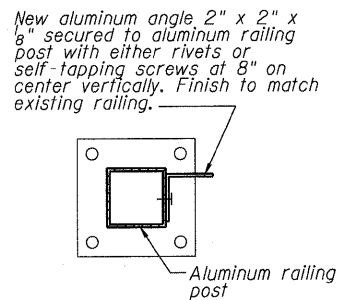


DETAIL G
TYPICAL PEDESTRIAN RAILING DETAIL
NEXT TO WALKWAY
SCALE: 1" = 1'-0"



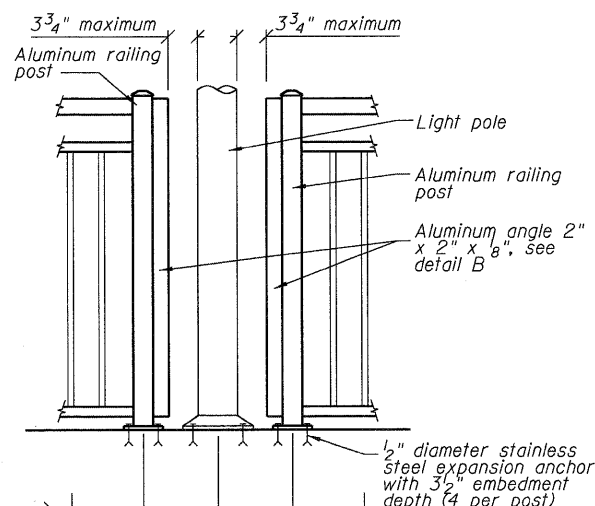
DETAIL A

TYPICAL DETAIL AT STEP IN WALL
SCALE: 1" = 1'-0"



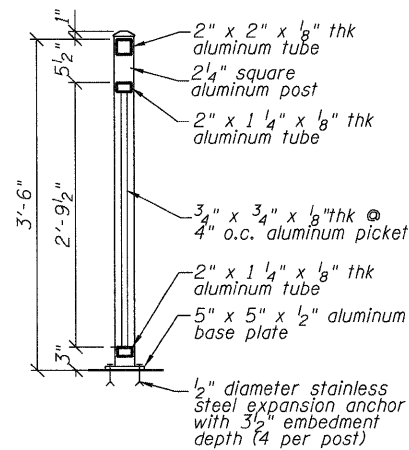
DETAIL B

TYPICAL CLOSURE ANGLE DETAIL
SCALE: 3" = 1'-0"



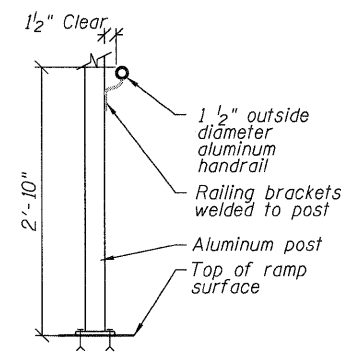
DETAIL C

TYPICAL DETAIL AT LIGHT POST
SCALE: 1" = 1'-0"



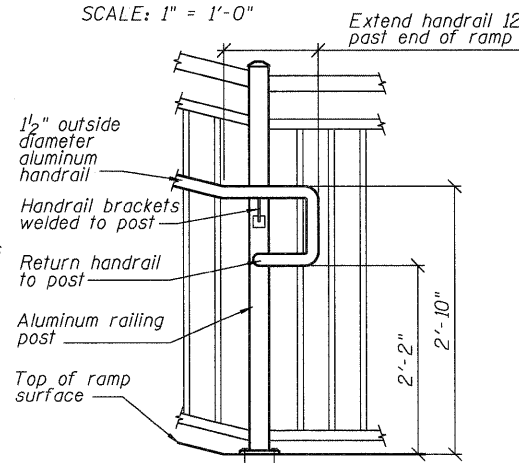
DETAIL D

TYPICAL PEDESTRIAN RAILING DETAIL
SCALE: 1" = 1'-0"



DETAIL E

TYPICAL NEW HANDRAIL DETAIL
SCALE: 1" = 1'-0"



DETAIL F

TYPICAL HANDRAIL EXTENSION DETAIL
SCALE: 1" = 1'-0"
TOP CONDITION AND OPPOSITE HAND SIMILAR

DESIGNED	PS
CHECKED	FTH
DRAWN	PS
CHECKED	SCS

ARCHITECTURAL DETAILS

SHEET NO. 10 23 SHEETS	F.A.P. RTE. 330	SECTION 73 R-B	COUNTY COOK	TOTAL SHEETS 136	SHEET NO. 99
	CONTRACT NO. 60K64				
DATE: 12/17/10		ILLINOIS FED. AID PROJECT			

McDonough Associates Inc.
Engineers / Architects
130 East Randolph Street Chicago, Illinois 60601