

STATE OF ILLINOIS
DEPARTMENT OF TRANSPORTATION

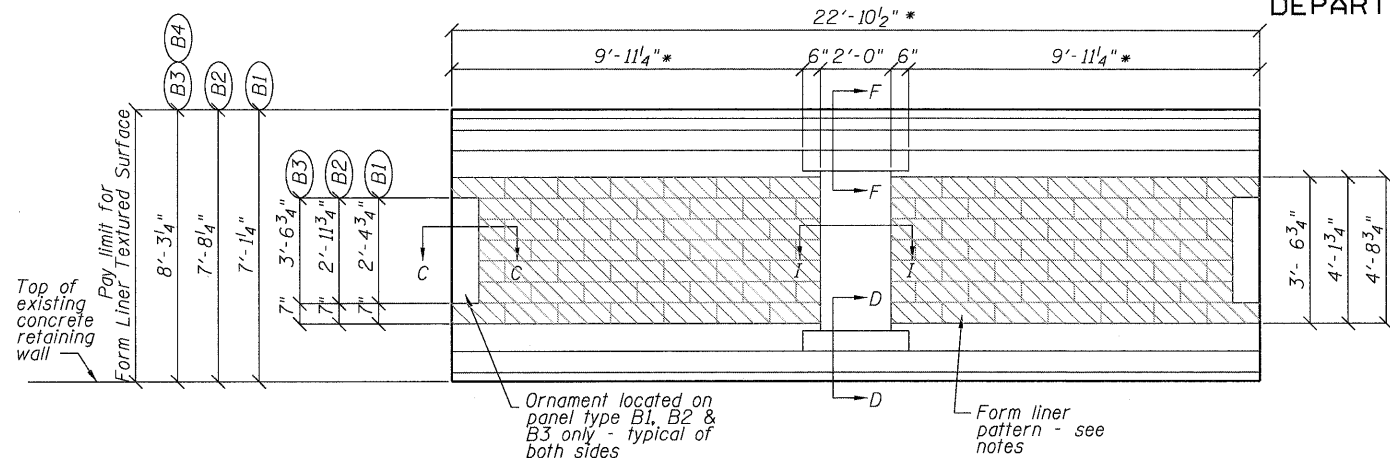
Note:

*Panel dimensions are given from centerline of joint - coordinate joint type with sheets 1-6 and adjust panel ends accordingly.

Form liner pattern to match Customrock Formliner pattern number 12008 with 7 1/8" coursing and 1'-6" length blocks.

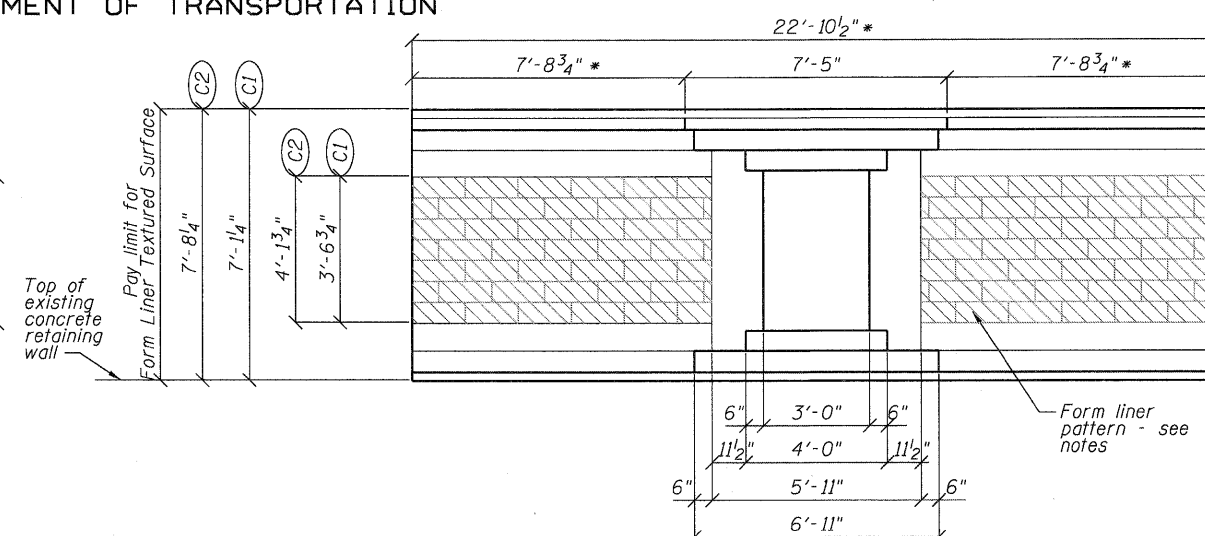
New concrete wall color to match existing concrete wall color.

Outside corners of Form Liner Textured Surface to be chamfered 1/2" at 45 degrees unless noted otherwise



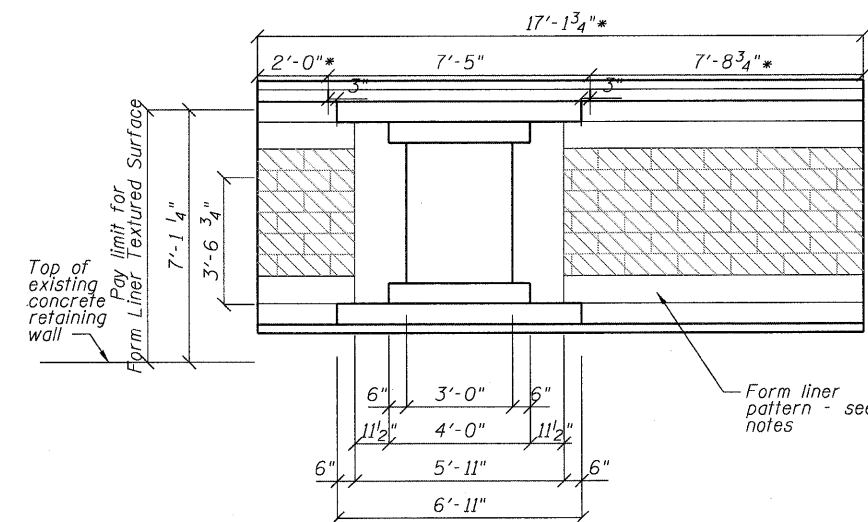
PANEL TYPE B1, B2, B3 & B4 ELEVATION

SCALE: 3/8" = 1'-0"



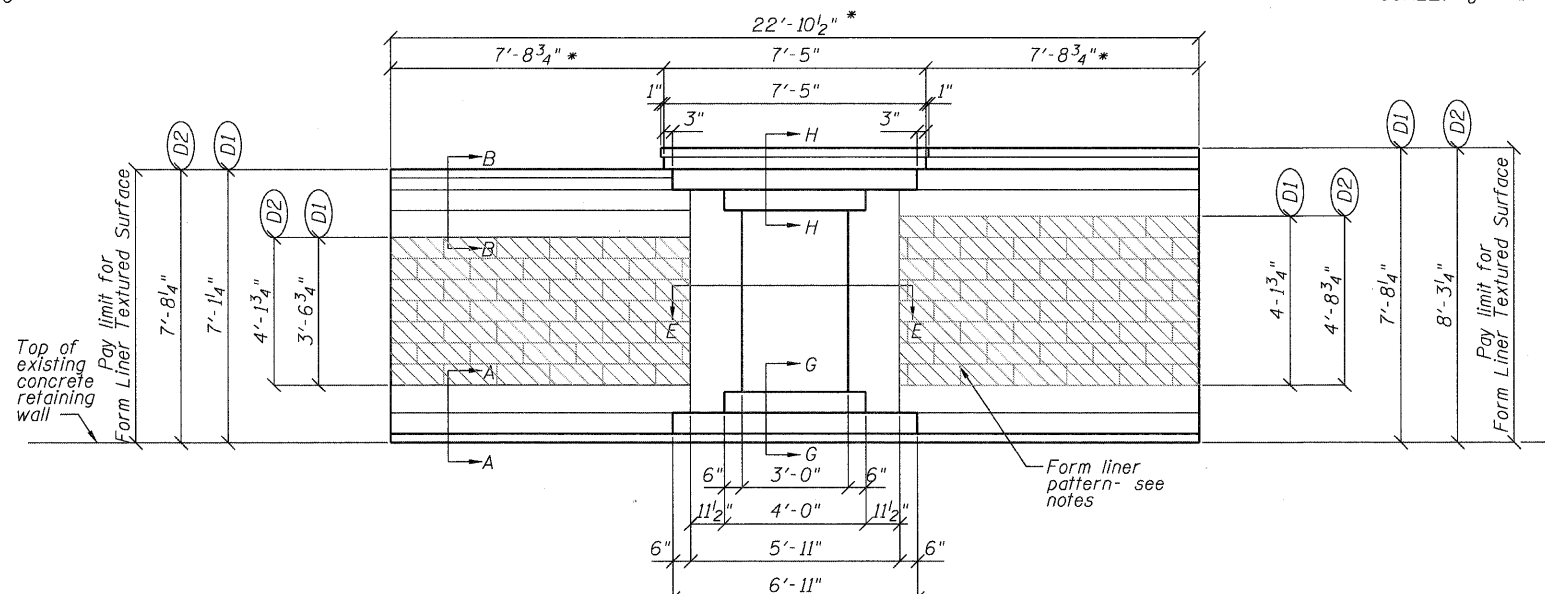
PANEL TYPE C1 & C2 ELEVATION

SCALE: 3/8" = 1'-0"



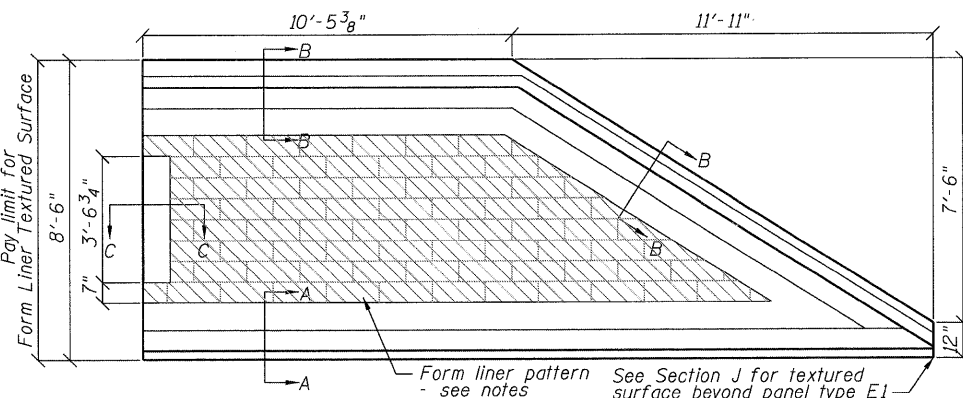
PANEL TYPE A1 ELEVATION

SCALE: 3/8" = 1'-0"



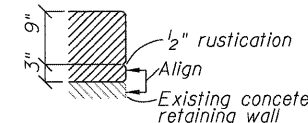
PANEL TYPE D1 & D2 ELEVATION

SCALE: 3/8" = 1'-0"



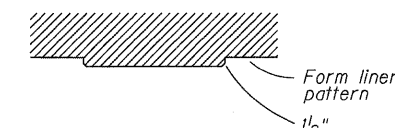
PANEL TYPE E1 ELEVATION

SCALE: 3/8" = 1'-0"



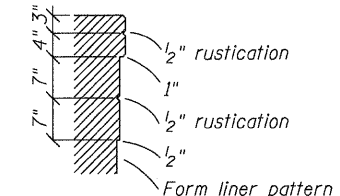
SECTION J

SCALE: 3/4" = 1'-0"



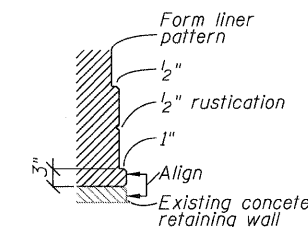
SECTION I

SCALE: 3/4" = 1'-0"



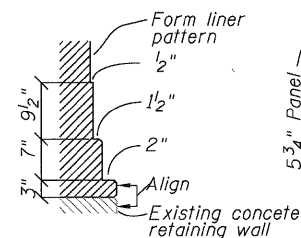
SECTION H

SCALE: 3/4" = 1'-0"



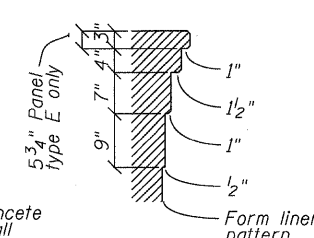
SECTION G

SCALE: 3/4" = 1'-0"



SECTION A

SCALE: 3/4" = 1'-0"



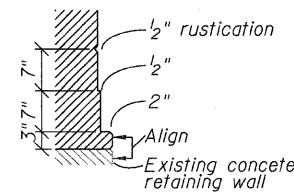
SECTION B

SCALE: 3/4" = 1'-0"



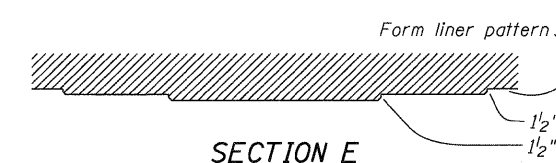
SECTION C

(OPPOSITE HAND SIMILAR)
SCALE: 3/4" = 1'-0"



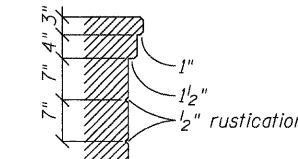
SECTION D

SCALE: 3/4" = 1'-0"



SECTION E

SCALE: 3/4" = 1'-0"



SECTION F

SCALE: 3/4" = 1'-0"

ARCHITECTURAL DETAILS

DESIGNED	PS
CHECKED	FTH
DRAWN	PS
CHECKED	SCS

McDonough Associates Inc.
Engineers / Architects
130 East Randolph Street Chicago, Illinois 60601

SHEET NO. 11 23 SHEETS	F.A.P RTE.	SECTION	COUNTY	TOTAL SHEETS	SHEET NO.
	330	73 R-B	COOK	136	100
DATE: 12/17/10			ILLINOIS FED. AID PROJECT		
CONTRACT NO. 60K64					