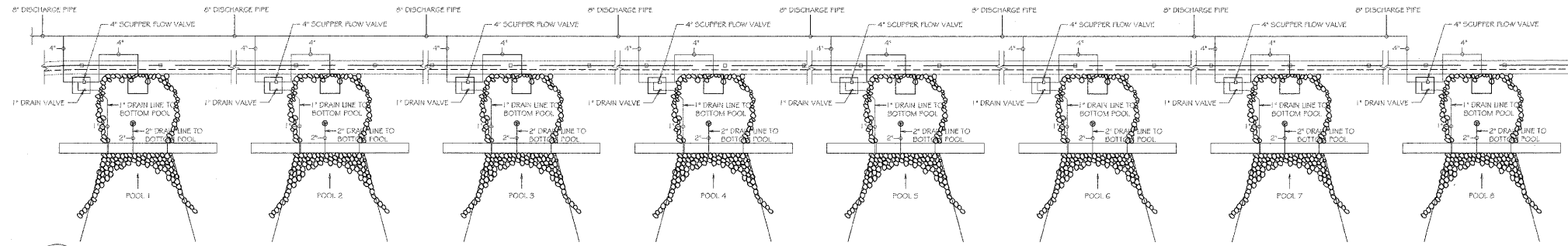
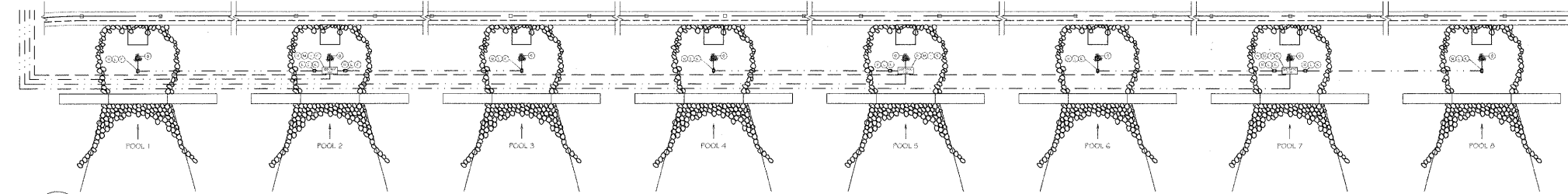


STATE OF ILLINOIS
DEPARTMENT OF TRANSPORTATION



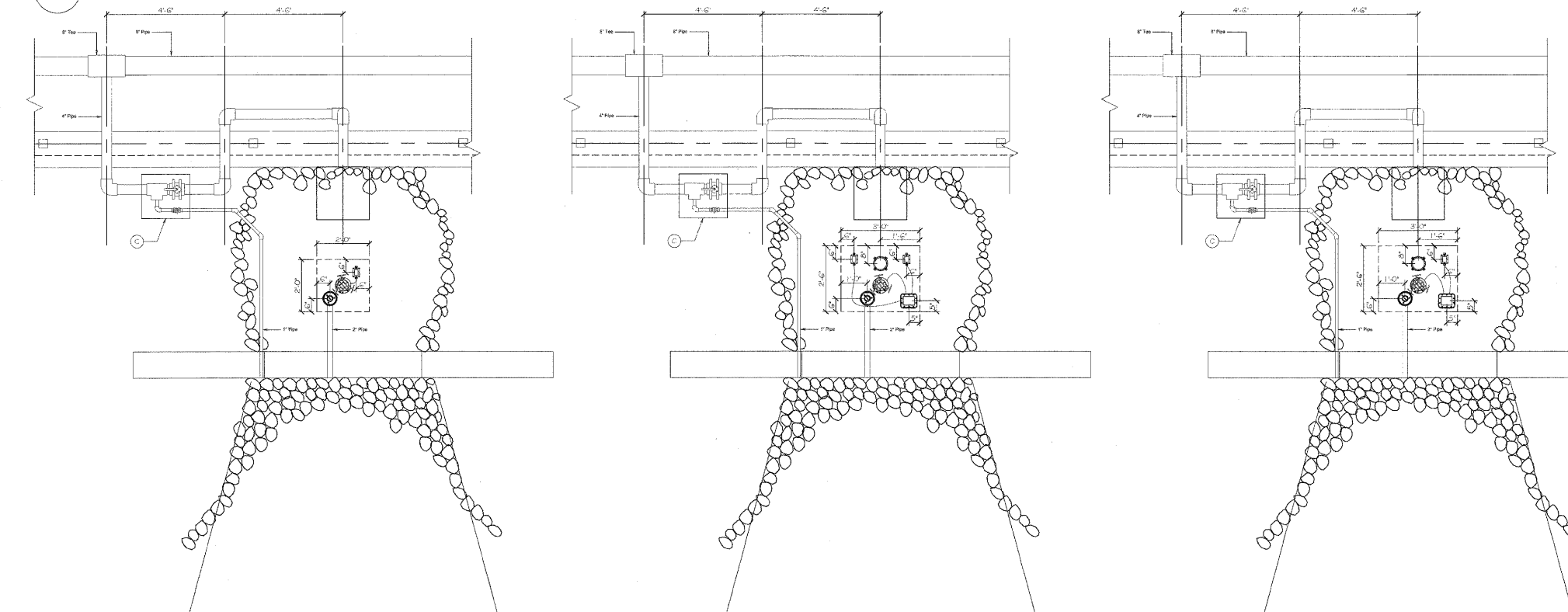
1 WATER FEATURE DISCHARGE & DRAINAGE PIPING LAYOUT

SCALE: 3/16" = 1'-0"



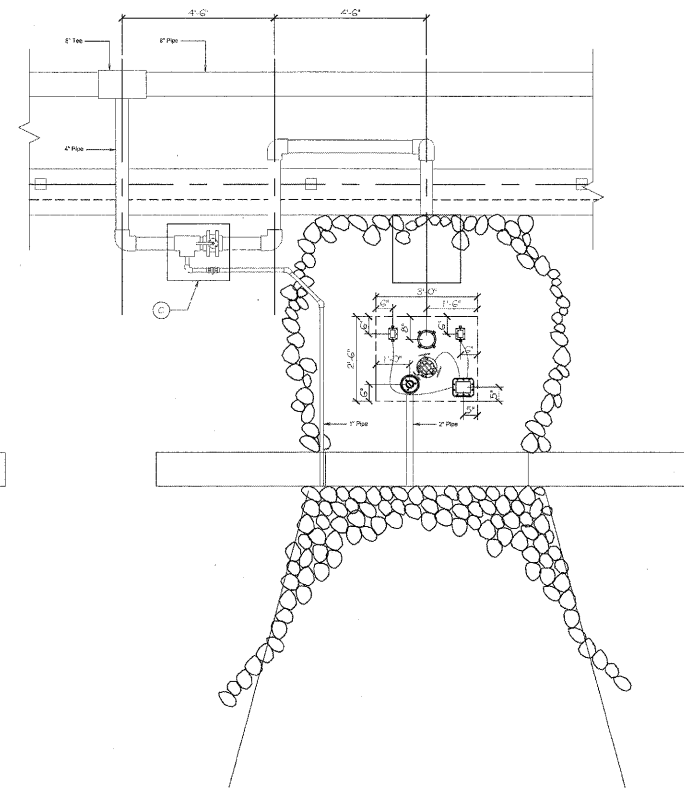
2 WATER FEATURE ELECTRICAL PIPING LAYOUT

SCALE: 3/16" = 1'-0"



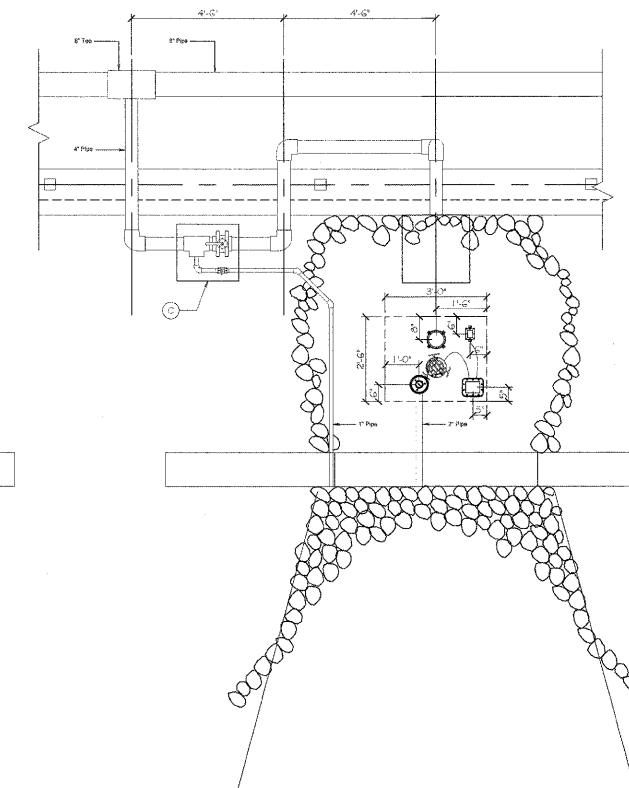
3 TYPICAL EQUIPMENT LAYOUT IN POOL 1, 3, 4, 6, 8

SCALE: 1/2" = 1'-0"



4 TYPICAL EQUIPMENT LAYOUT IN POOL 2, 7

SCALE: 1/2" = 1'-0"



5 EQUIPMENT LAYOUT IN POOL 5

SCALE: 1/2" = 1'-0"



Creating Better Places®
221 West Jefferson Avenue
Naperville, Illinois 60540
T 630.961.1787
F 630.961.9925

PREPARED FOR
LR Contracting Company
737 North Michigan Ave.
Suite 300
Chicago, IL 60611

PROJECT
Orland Park Triangle - Phase 1
Orland Park, Illinois

PROJECT NUMBER
01-0733-001-X01-01-06

CONSULTANTS
FOUNTAIN TECHNOLOGIES
300 INDUSTRIAL LANE
WHEELING, IL 60090
TEL: (847) 537-3677
FAX: (847) 537-9904

ISSUED FOR CONSTRUCTION
November 20, 2006

REVISIONS	No.	Date	Issue
	1	04-02-07	Revised Plans
	2	04-24-07	For Construction

DRAWN BY
BW / RH
CHECKED BY
BW

SHEET TITLE
WATER FEATURE DETAILS

SCALE IN FEET
as noted



SHEET NUMBER
FT-2

DESIGNED	AMV
CHECKED	JCE
DRAWN	AMV
CHECKED	JCE

FOR INFORMATION ONLY

McDonough Associates Inc.
Engineers / Architects
130 East Randolph Street Chicago, Illinois 60601

SHEET NO. 14	F.A.P RTE.	SECTION	COUNTY	TOTAL SHEETS	SHEET NO.
	330	73 R-B	COOK	136	103
23 SHEETS	CONTRACT NO. 60K64				
DATE: 12/17/10	ILLINOIS FED. AID PROJECT				